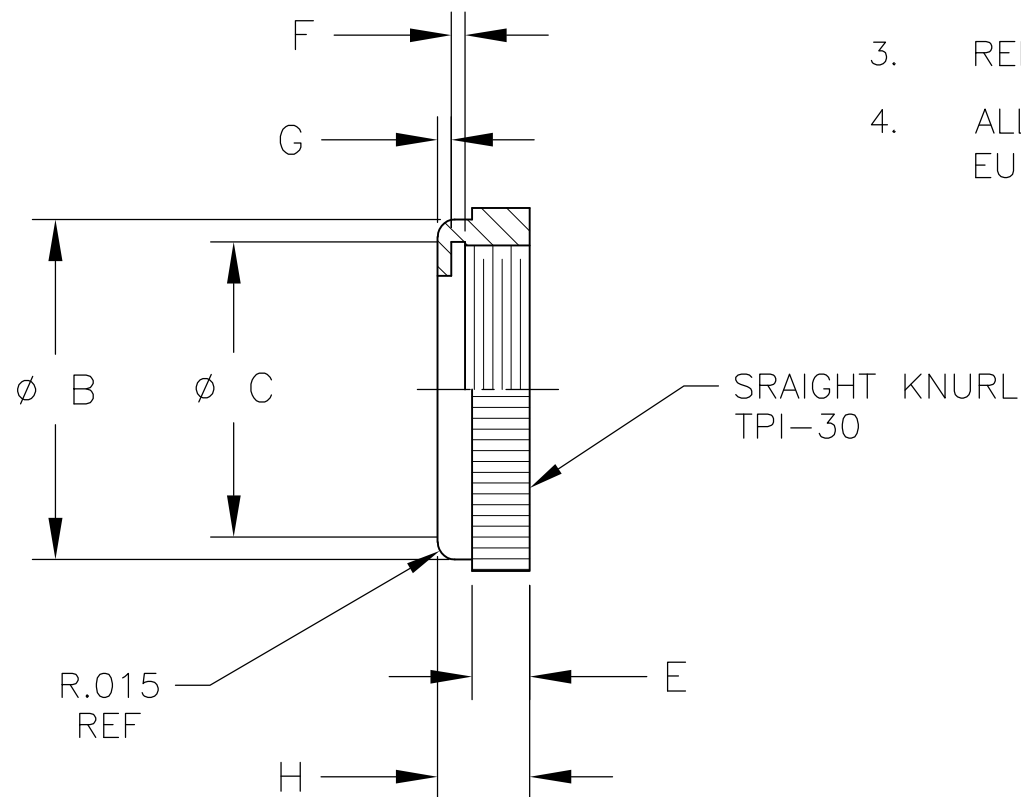
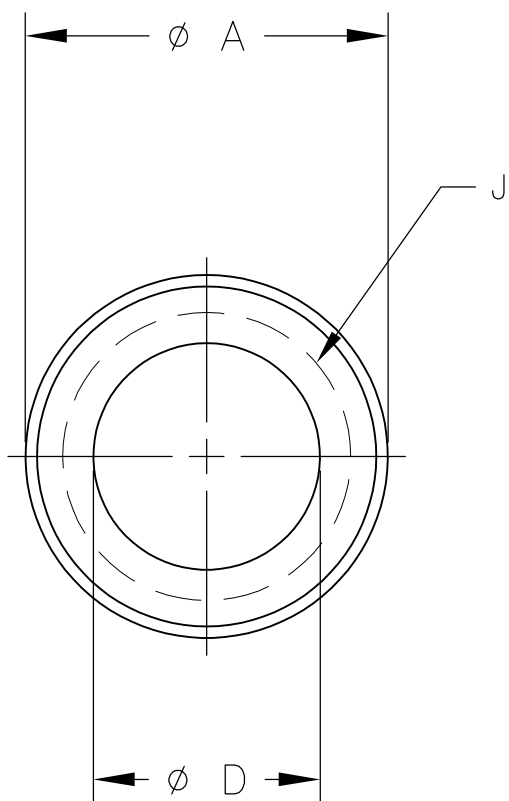


THIS DRAWING IS UNPUBLISHED. RELEASED FOR PUBLICATION
 © COPYRIGHT - BY TYCO ELECTRONICS CORPORATION. ALL RIGHTS RESERVED.

LOC	DIST	REVISIONS					
AD	00	P	LTR	DESCRIPTION	DATE	DWN	APVD
			A	ECO-07-015365	12JUL07	MB	MW



- 1. FREE MACHINING BRASS
- 2. 200 MICRINCHES MIN BRIGHT NICKEL
- 3. REMOVE ALL BURRS AND SHARP EDGES
- 4. ALL MATERIALS AND FINISHES SHALL COMPLY WITH EU DIRECTIVE 2002/95/EC OF 27JAN2003 (ROHS)

15/32-32 UNS-2B	0.14	0.015	0.015	0.110	0.39	0.490	0.53	0.56	2	1	N1B04	1825622-2
1/4-40 UNS-2B	0.08	0.012	0.012	0.050	0.19	0.256	0.29	0.31	2	1	N1A04	1825622-1
J	H	G	F	E	D	C	B	A	FINISH	MATERIAL	ALCO PART NUMBER	PART NUMBER

THIS DRAWING IS A CONTROLLED DOCUMENT.		DWN M.BINNER 12JUL2007	Tyco Electronics Corporation Harrisburg, PA 17105-3608				
DIMENSIONS: INCHES		CHK M.WILBOURN 12JUL07					
TOLERANCES UNLESS OTHERWISE SPECIFIED:		APVD M.WILBOURN 12JUL07	NAME DECORATIVE NUT				
0 PLC ± - 1 PLC ± - 2 PLC ± .01 3 PLC ± .005 4 PLC ± - ANGLES ± -		PRODUCT SPEC -	-				
MATERIAL 1		APPLICATION SPEC -	SIZE A3	CAGE CODE 00779	DRAWING NO C-1825622	RESTRICTED TO -	
FINISH 2		WEIGHT -	CUSTOMER DRAWING		SCALE 5:1	SHEET 1 OF 1	REV A