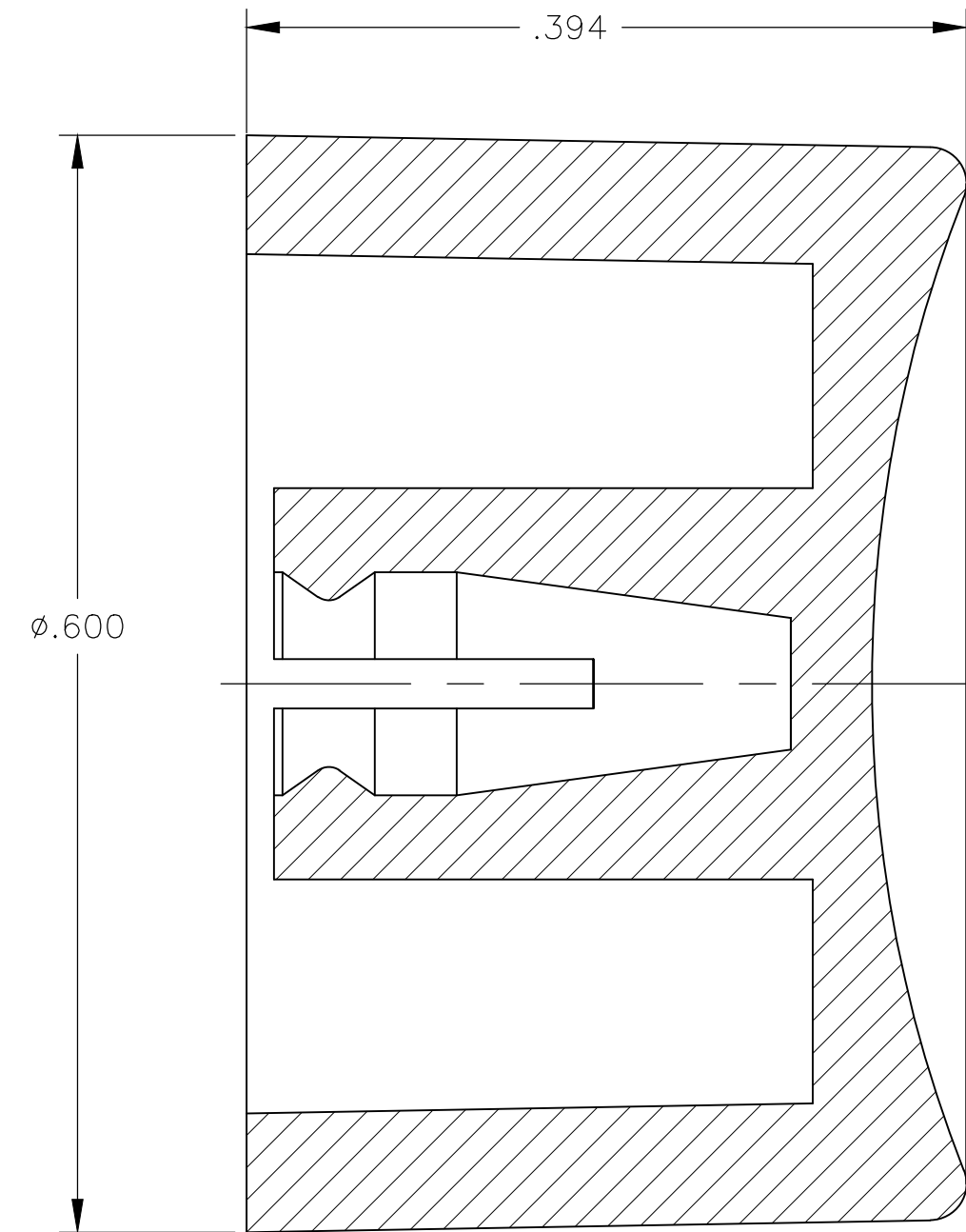
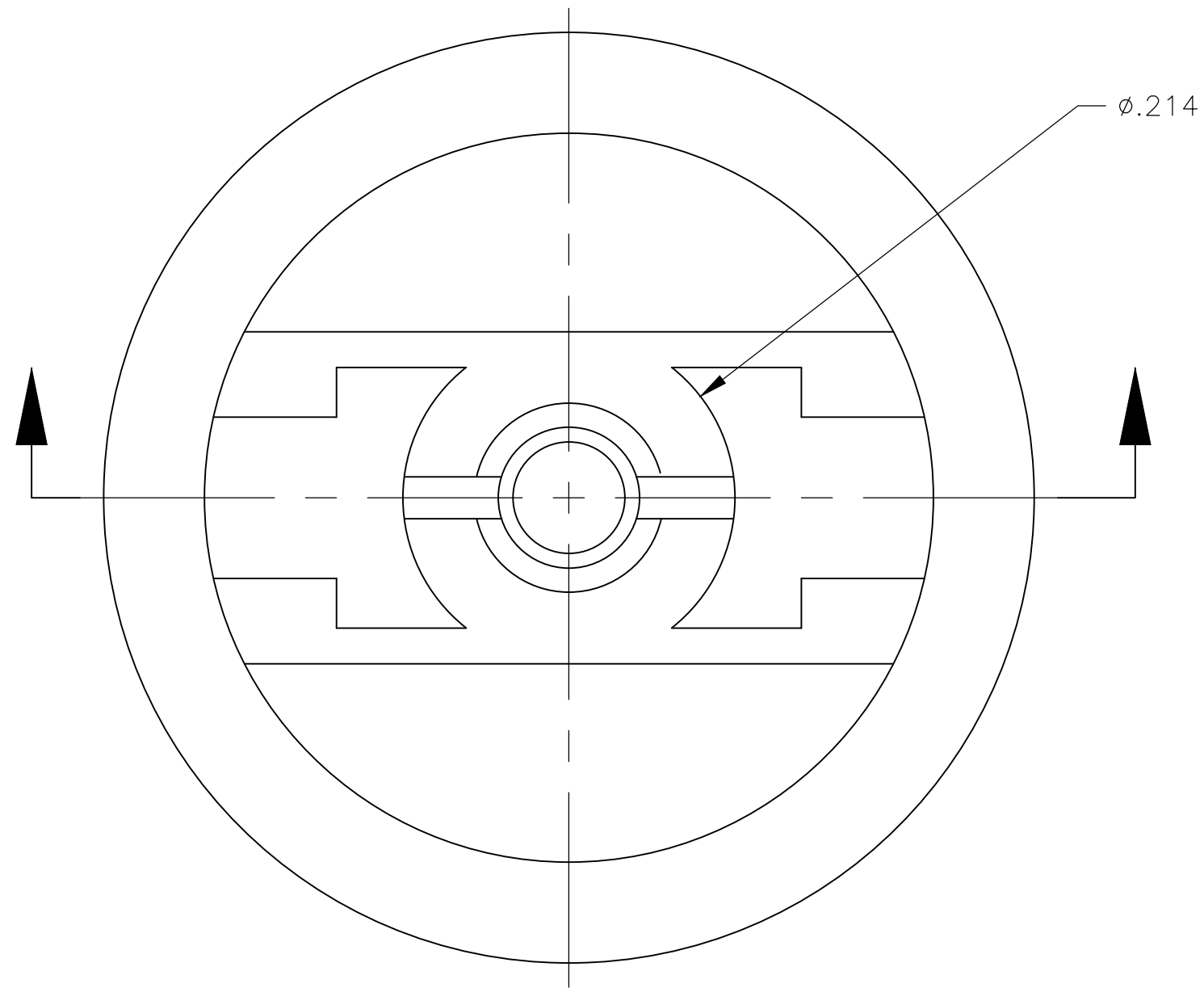


THIS DRAWING IS UNPUBLISHED. RELEASED FOR PUBLICATION
 © COPYRIGHT - By - ALL RIGHTS RESERVED.

REVISIONS					
P	LTR	DESCRIPTION	DATE	DWN	APVD
	A2	ECR-16-017266	01JUN2018	SR	PO



OBSOLETE	WHITE	C23904	1825069-7
	BLUE	C23604	1825069-6
	GREEN	C23504	1825069-5
OBSOLETE	YELLOW	C23404	1825069-4
	ORANGE	C23304	1825069-3
	RED	C23204	1825069-2
	BLACK	C23004	1825069-1
COLOR	ALCO PART NUMBER	TE PART NUMBER	

- MATERIAL SHALL COMPLY WITH EU DIRECTIVE 2002/95/EC OF 20JAN2003 (ROHS)
- CAP FOR USE WITH GREEN SERIES PUSHBUTTON SWITCHES AS SHOWN ON DRAWINGS 4-1437567-3 AND 2-1437567-9

THIS DRAWING IS A CONTROLLED DOCUMENT.		DWN	M.BINNER	30NOV04	 TE Connectivity Ltd.																							
DIMENSIONS: INCHES		CHK	M.ZITTO	30NOV04																								
TOLERANCES UNLESS OTHERWISE SPECIFIED:		APVD	M.ZITTO	30NOV04																								
<table border="1"> <tr><td>0</td><td>PLC</td><td>±</td><td>-</td></tr> <tr><td>1</td><td>PLC</td><td>±</td><td>-</td></tr> <tr><td>2</td><td>PLC</td><td>±</td><td>-</td></tr> <tr><td>3</td><td>PLC</td><td>±</td><td>.003</td></tr> <tr><td>4</td><td>PLC</td><td>±</td><td>-</td></tr> <tr><td colspan="2">ANGLES</td><td>±</td><td>1°</td></tr> </table>		0	PLC	±		-	1	PLC	±	-	2	PLC	±	-	3	PLC	±	.003	4	PLC	±	-	ANGLES		±	1°	PRODUCT SPEC	NAME
0	PLC	±	-																									
1	PLC	±	-																									
2	PLC	±	-																									
3	PLC	±	.003																									
4	PLC	±	-																									
ANGLES		±	1°																									
MATERIAL	POLYAMIDE	FINISH	-	WEIGHT																								
		CUSTOMER DRAWING		SCALE	10:1																							
		SIZE		A2																								
		CAGE CODE		00779																								
		DRAWING NO		C=1825069																								
		RESTRICTED TO		-																								
		SHEET		1 of 1																								
		REV		A2																								

1825069