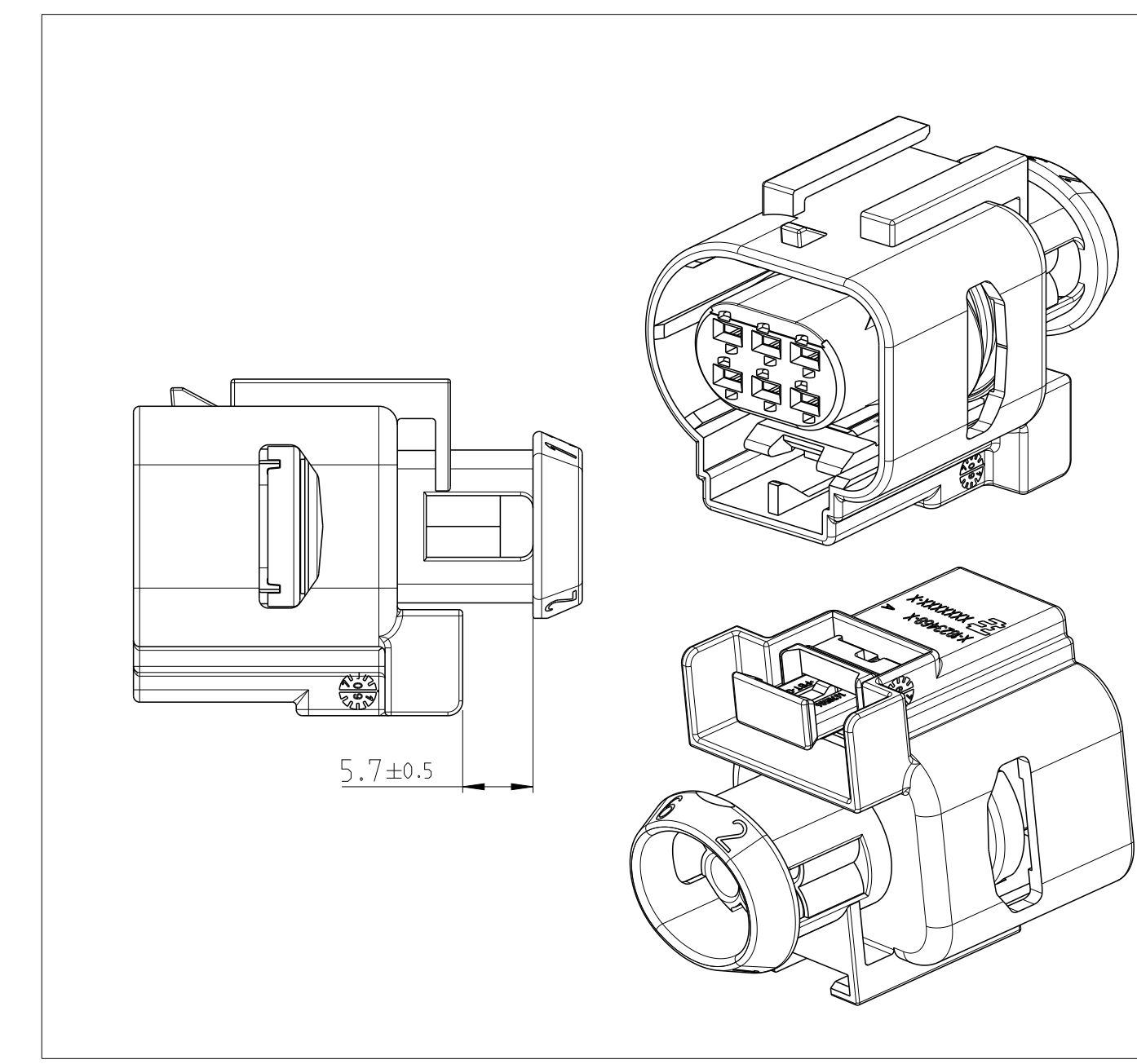
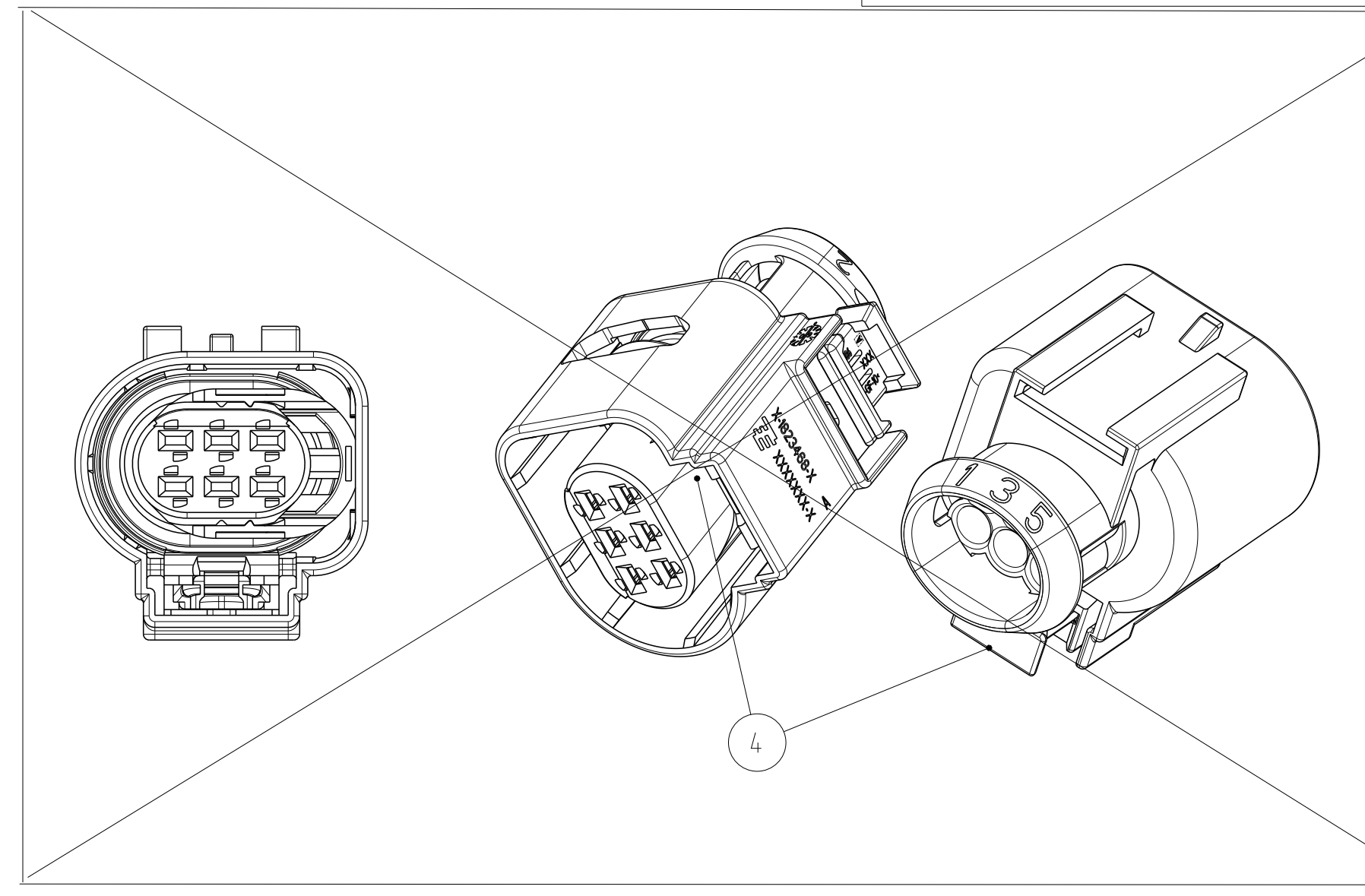
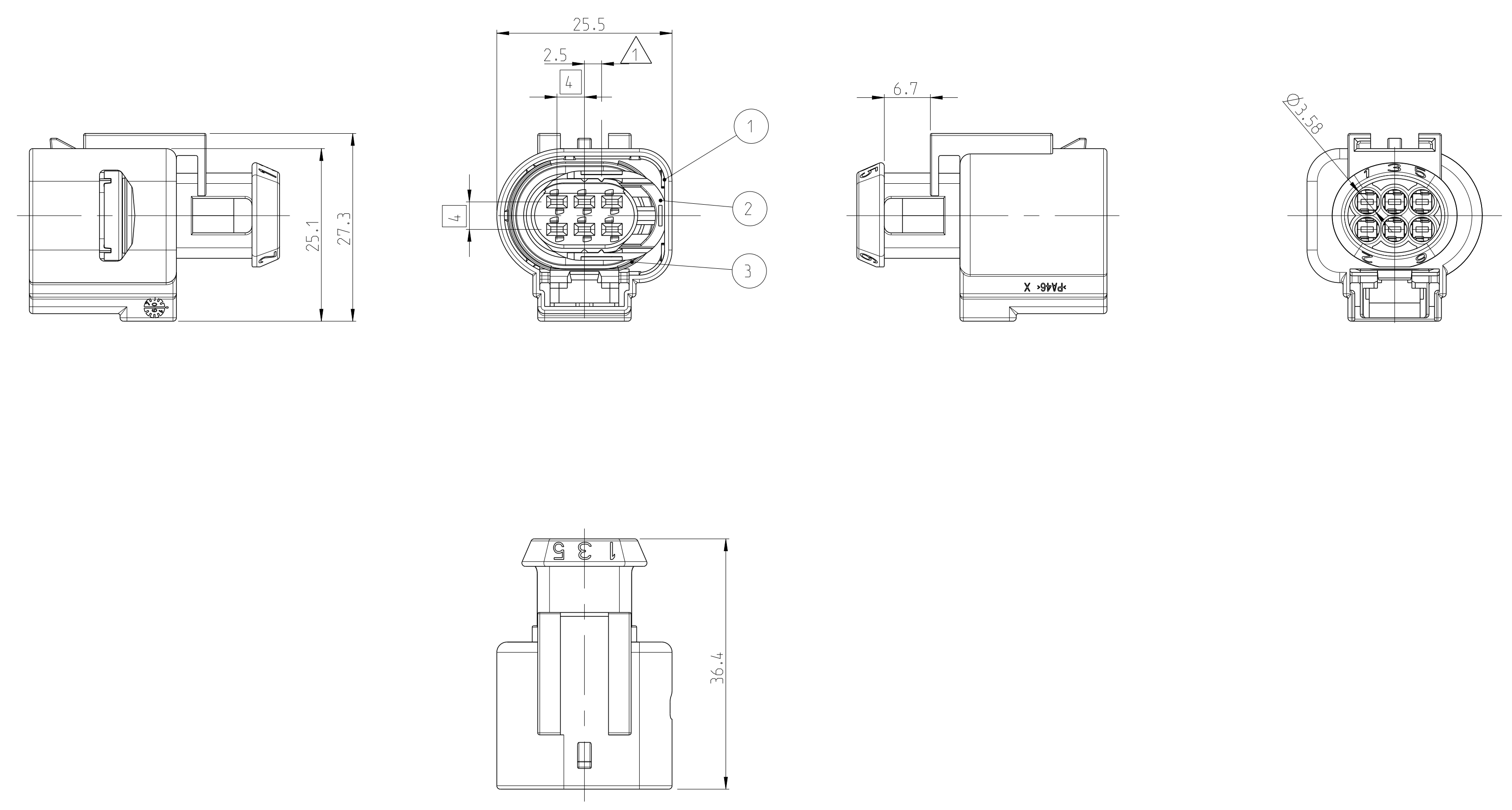
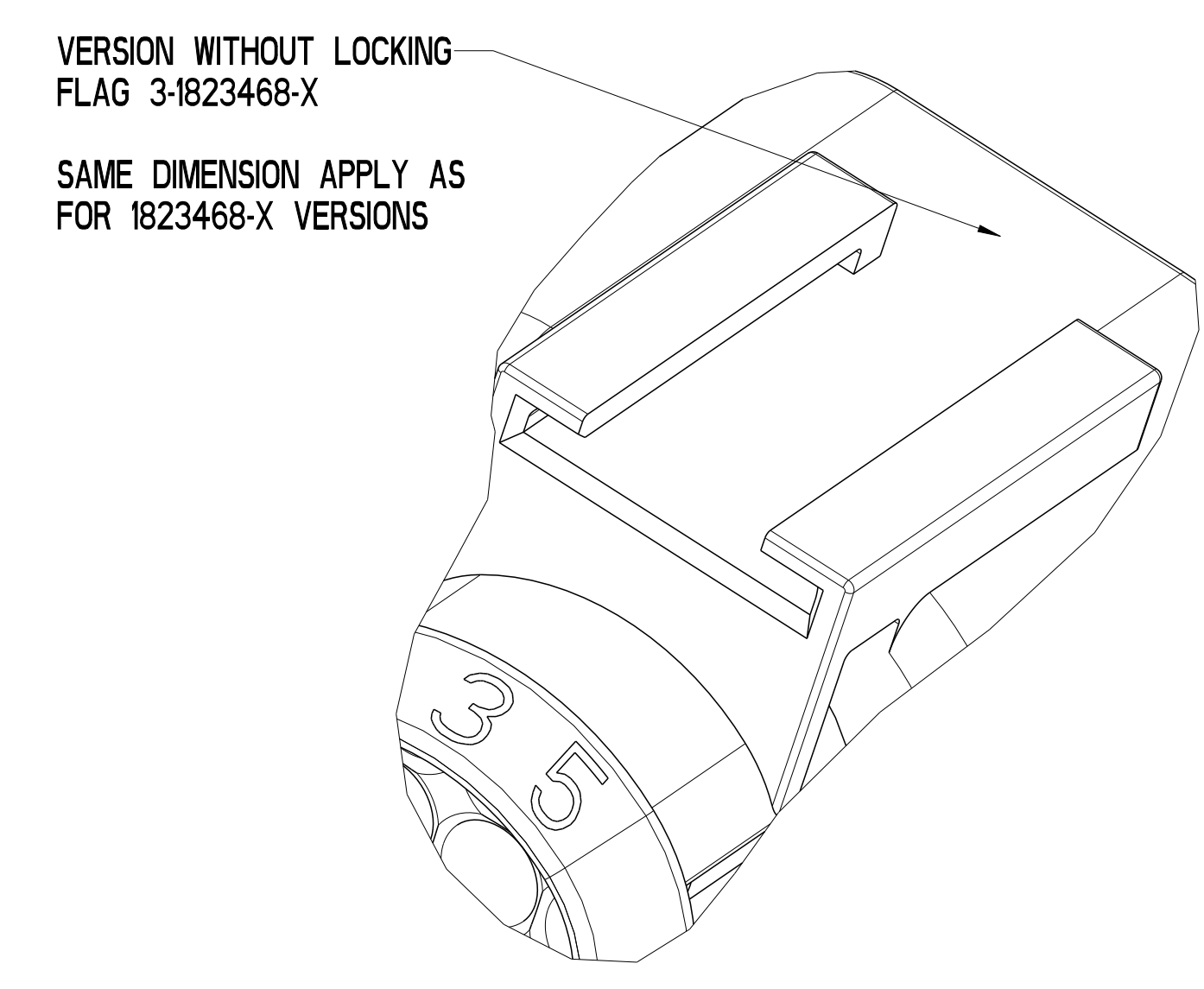
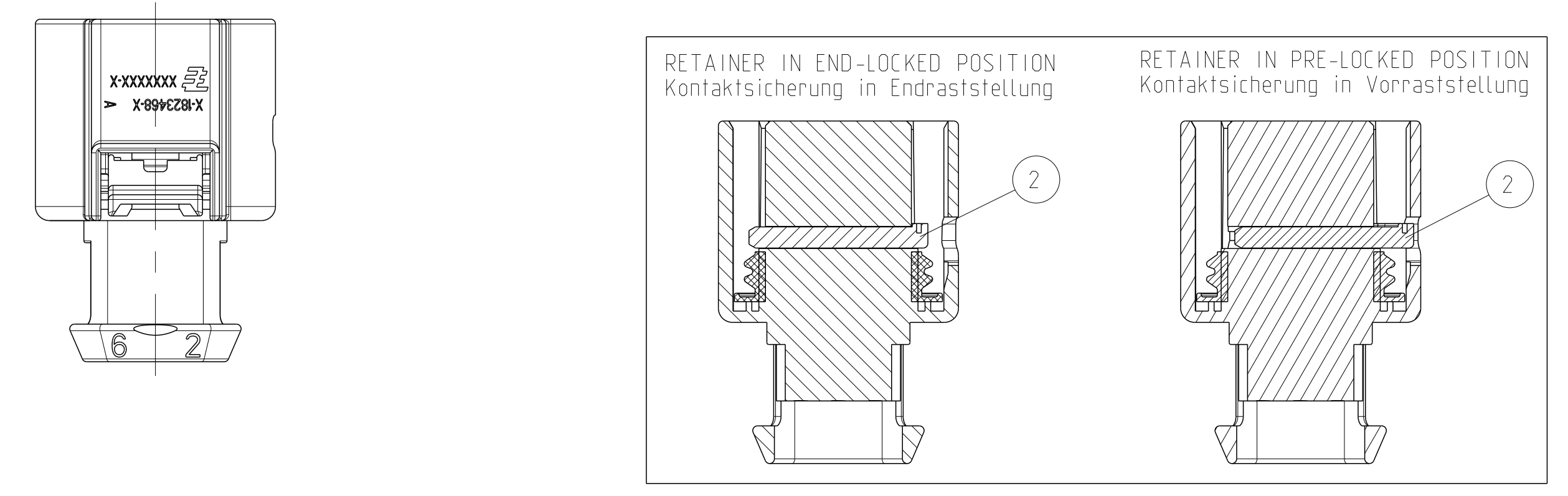


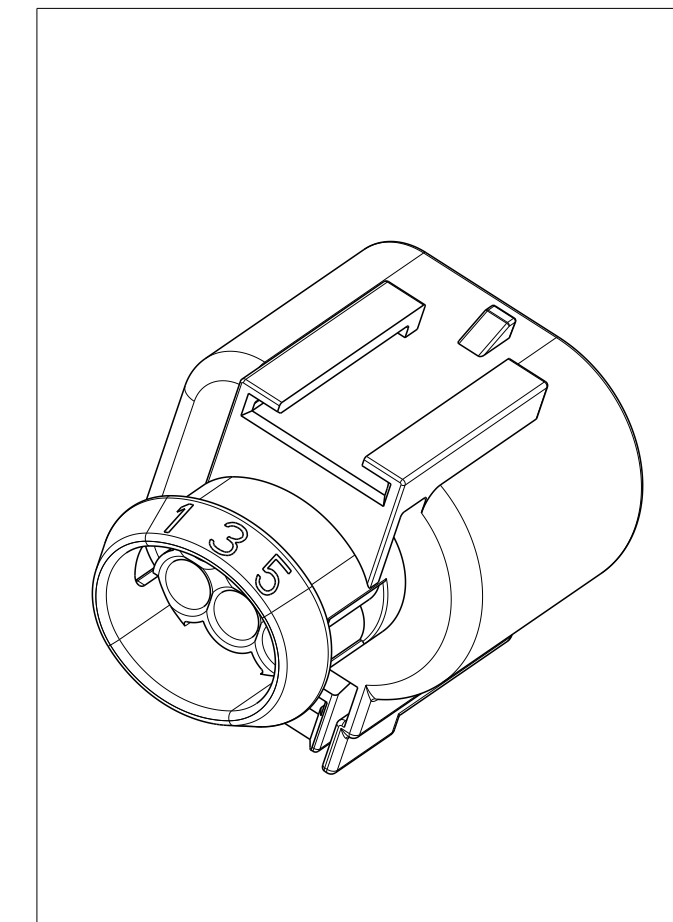
REVISIONS					
REV	DATE	DESCRIPTION	BY	CHK	APPV
C 12	ECR-16-012575				01SEP2016 YA HR
C 13	ECN-21-126575				04NOV2021 DM JZ
D	ECR-24-212401				09MAY 24 AM JZ



REV	DATE	DESCRIPTION	BY	CHK	APPV
H	0-2309220-9	PBT-GF10 RED EPA... RADIAL SEAL...			8.7 3
A	0-2309220-9	PBT-GF10 VIOLET RETAINER...			4 1
A	4-2309220-8	PAA6 GREY APOS. CAVITY 2 CLOSED			4 1
H	4-2309220-8	MV6 LIGHT BLUE RADIAL SEAL...			8.7 3
A	4-2309220-8	PBT-GF10 VIOLET RETAINER...			2 1
H	5-2309220-8	PAA6 GREY APOS. CAVITY 4 CLOSED			4 1
A	5-2309220-8	MV6 LIGHT BLUE RADIAL SEAL...			8.7 2
H	2-2309220-8	PBT-GF10 RED EPA...			4 1
H	2-2309220-8	MV6 LIGHT BLUE RADIAL SEAL...			8.7 3
A	2-2309220-8	PAA6 GREY APOS. ...			1 1
G	2-2309220-7	PBT-GF10 RED EPA...			4 1
A	2-2309220-7	MV6 LIGHT BLUE RADIAL SEAL...			8.7 2
F	2-2309220-6	PAA6 GREY APOS. ...			4 1
A	2-2309220-6	MV6 LIGHT BLUE RADIAL SEAL...			8.7 3
E	2-2309220-5	PBT-GF10 VIOLET RETAINER...			2 1
A	2-2309220-5	MV6 LIGHT BLUE RADIAL SEAL...			8.7 3
D	2-2309220-4	PAA6 GREY APOS. ...			4 1
A	2-2309220-4	MV6 LIGHT BLUE RADIAL SEAL...			8.7 2
C	2-2309220-3	PBT-GF10 RED EPA...			4 1
A	2-2309220-3	MV6 LIGHT BLUE RADIAL SEAL...			8.7 3
B	2-2309220-2	PAA6 GREY APOS. ...			4 1
A	2-2309220-2	MV6 LIGHT BLUE RADIAL SEAL...			8.7 2
A	2-2309220-1	PAA6 GREY APOS. ...			4 1
A	2-2309220-1	MV6 LIGHT BLUE RADIAL SEAL...			8.5 3



REV	DATE	DESCRIPTION	BY	CHK	APPV
H	3-1823467-8	MV6 LIGHT BLUE RADIAL SEAL...			8 2
A	3-1823467-8	PAA6 GREY APOS. ...			1 1
G	3-1823467-7	PBT-GF10 VIOLET RETAINER...			8 2
F	3-1823467-6	PAA6 GREY APOS. ...			8 2
A	3-1823467-6	MV6 LIGHT BLUE RADIAL SEAL...			8 2
D	3-1823467-4	PAA6 GREY APOS. ...			8 2
A	3-1823467-4	MV6 LIGHT BLUE RADIAL SEAL...			8 2
C	3-1823467-3	PBT-GF10 VIOLET RETAINER...			8 2
B	3-1823467-2	PAA6 GREY APOS. ...			8 2
A	3-1823467-1	PAA6 GREY APOS. ...			7.8 2



REV	DATE	DESCRIPTION	BY	CHK	APPV
H	8-1823467-8	MV6 LIGHT BLUE RADIAL SEAL...			9 3
A	8-1823467-8	PAA6 GREY APOS. CAVITY 3 CLOSED			1 1
H	9-1823467-8	MV6 LIGHT BLUE RADIAL SEAL...			9 2
A	9-1823467-8	PAA6 GREY APOS. CAVITY 4 CLOSED			1 1
H	1823467-6	MV6 LIGHT BLUE RADIAL SEAL...			8 2
G	1823467-6	PAA6 GREY APOS. ...			8 2
F	1823467-6	PBT-GF10 VIOLET RETAINER...			8 2
A	1823467-5	MV6 LIGHT BLUE RADIAL SEAL...			8 2
D	1823467-4	PAA6 GREY APOS. ...			8 2
A	1823467-4	MV6 LIGHT BLUE RADIAL SEAL...			8 2
C	1823467-3	PBT-GF10 VIOLET RETAINER...			8 2
B	1823467-2	PAA6 GREY APOS. ...			8 2
A	1823467-1	PAA6 GREY APOS. ...			7.8 2

<p>CODING "A" BLACK SCHWARZ</p>	<p>CODING "B" DARK BROWN DUNKELBRAUN</p>	<p>CODING "C" RED ROT</p>	<p>CODING "D" ORANGE ORANGE</p>	<p>8-1823467-8 CAVITY-3 CLOSED</p>	<p>4-2309220-8 CAVITY-3 CLOSED</p>	<p>5-2309220-8 CAVITY-4 CLOSED</p>	<p>2-2309220-8 ALL CAVITY OPEN</p>
<p>CODING "E" BLUE BLAU</p>	<p>CODING "F" WHITE WEISS</p>	<p>CODING "G" GREEN GRUEN</p>	<p>CODING "H" GREY GRAU</p>	<p>9-1823467-8 CAVITY-4 CLOSED</p>	<p>0-2309220-9 CAVITY-2 CLOSED</p>		

- NOTES
Bemerkungen
- DELIVERY CONDITION, RETAINER IN PER-LOCK POSITION
Anlieferungszustand, Kontaktsicherung in Vorraststellung
 - TERMINALS, SEE TE DRAWING: 12/4/36
Kontakte, siehe TE Zeichnung: 12/4/36
 - INTERFACE ACC. TO TE SPECIFICATION NO. 114-18375-1
Schnittstelle nach TE Spezifikation Nr. 114-18375-1
 - BULK PACKAGED
Schüttgut verpackt

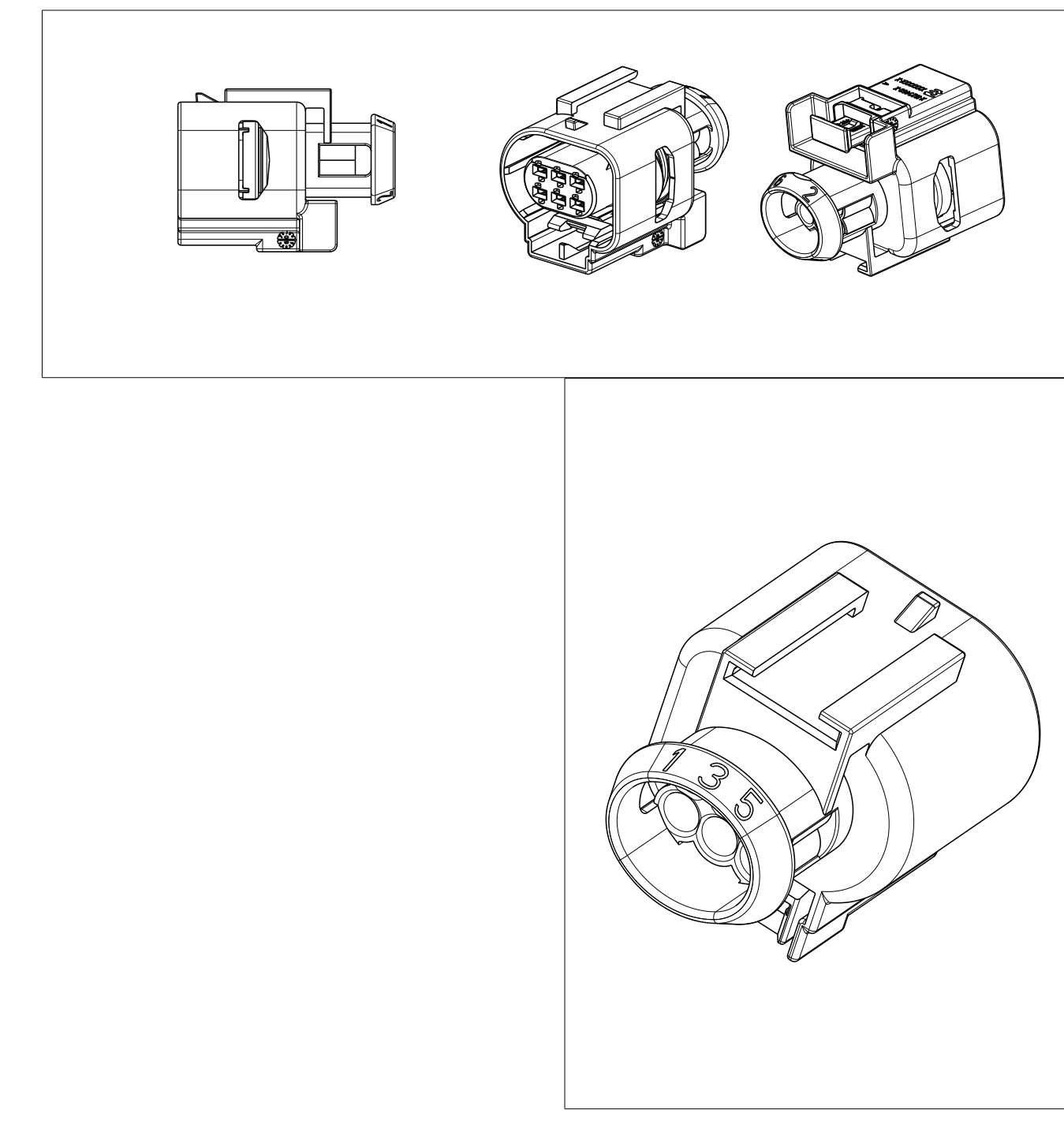
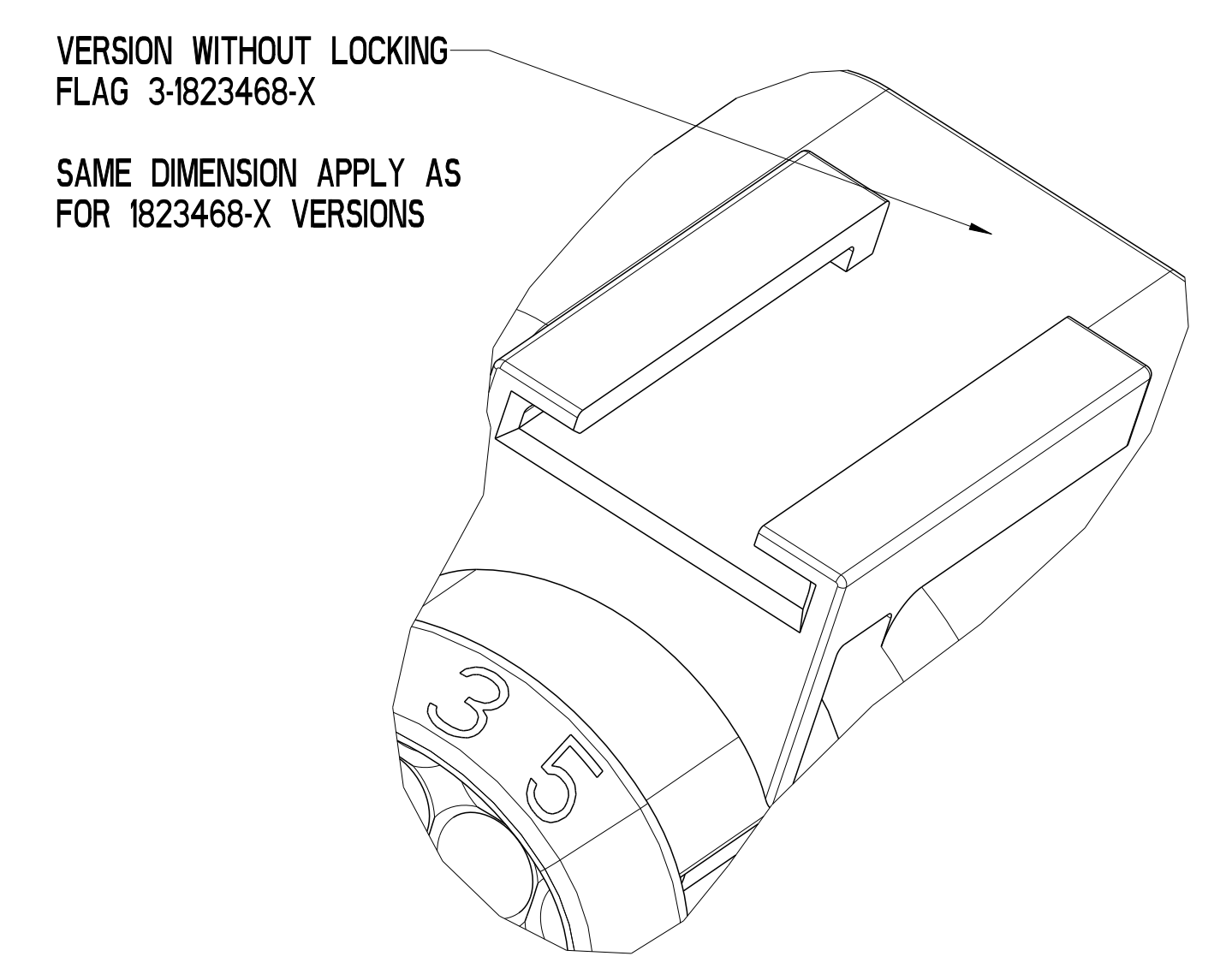
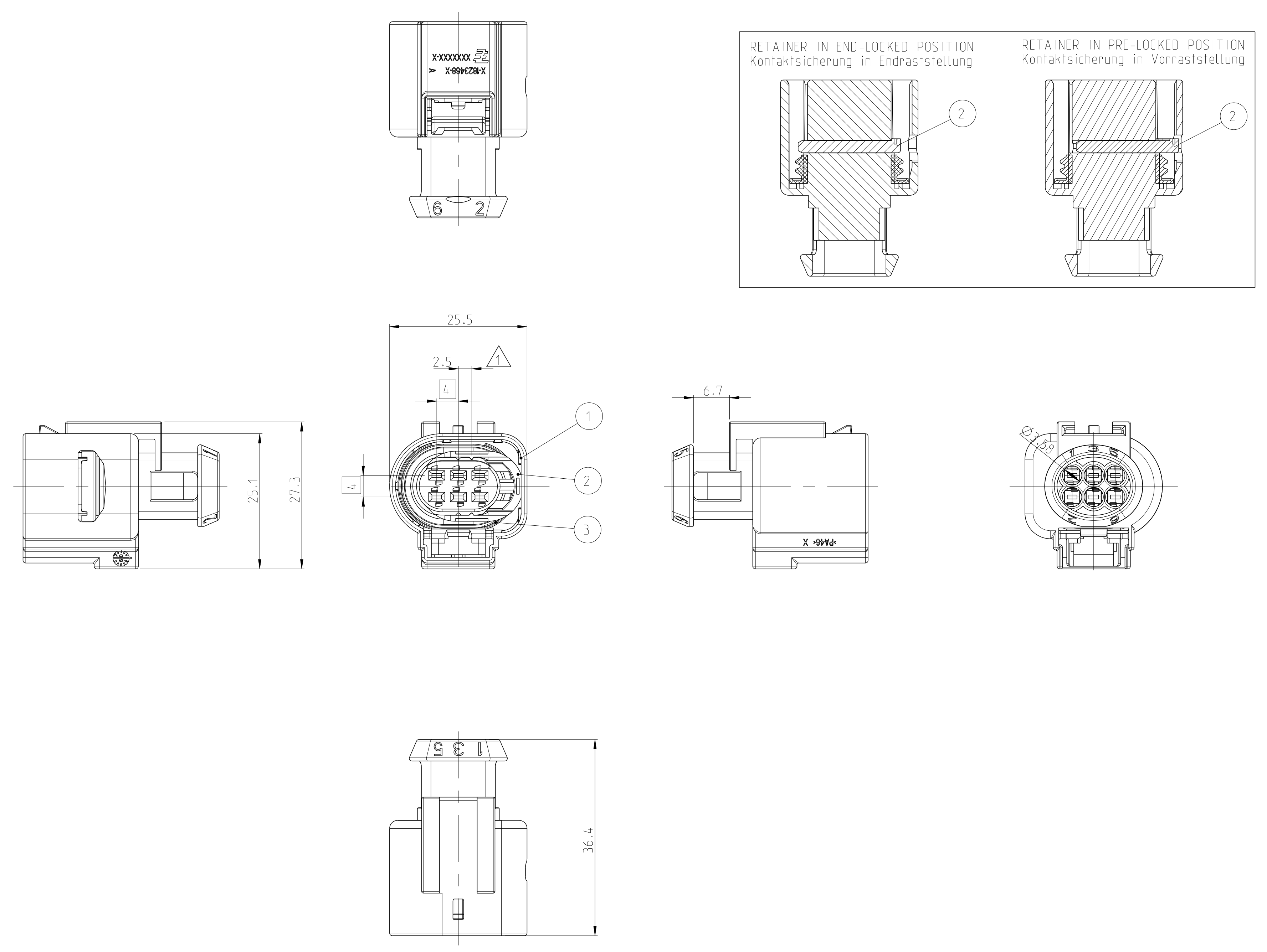
THIS DRAWING IS A CONTROLLED DOCUMENT. DAY: Ashour 18MAY2009
 CH: Rüdiger 19MAY2009

STE TE Connectivity

6POS. AMP MCP1.5K, REC. HOUSING
 6POLIG. AMP MCP1.5K, BUCHSENGEHÄUSE
 ASSY

SCALE: 2:1 SHEET 1 OF 2 REV D

REVISIONS			
NO.	DATE	DESCRIPTION	BY
1		SEE SHEET 1	



REV.	CODE	TE-NO.	REV.	MATERIAL	COLOR	DESCRIPTION	WEIGHT	UNIT
H	1-2309220-9	A	1	MFG	RED	CPA...	8,7	3
H	4-2309220-9	A	1	MFG	LIGHT BLUE	RADIAL SEAL...	8,7	3
H	5-2309220-9	A	1	MFG	VIOLET	RETAINER...	8,7	3
H	2-2309220-9	A	1	MFG	ORANGE	CPA...	8,7	3
H	8-1823467-9	A	1	MFG	ORANGE	CPA...	9,2	2
H	6-1823467-9	A	1	MFG	ORANGE	CPA...	9,2	2
H	4-1823467-9	A	1	MFG	ORANGE	CPA...	8,2	2
G	4-1823467-7	A	1	MFG	ORANGE	CPA...	8,2	2
F	4-1823467-6	A	1	MFG	ORANGE	CPA...	8,2	2
E	4-1823467-5	A	1	MFG	ORANGE	CPA...	8,2	2
D	4-1823467-4	A	1	MFG	ORANGE	CPA...	8,2	2
C	4-1823467-3	A	1	MFG	ORANGE	CPA...	8,2	2
B	4-1823467-2	A	1	MFG	ORANGE	CPA...	8,2	2
A	4-1823467-1	A	1	MFG	ORANGE	CPA...	8,2	2

CODING "A"	CODING "B"	CODING "C"	CODING "D"	8-1823467-8	4-2309220-8	5-2309220-8	2-2309220-8
BLACK	DARK BROWN	RED	ORANGE	CAVITY-3 CLOSED	CAVITY-3 CLOSED	CAVITY-4 CLOSED	ALL CAVITY OPEN
SCHWARZ	DUNKELBRAUN	ROT	ORANGE				
CODING "E"	CODING "F"	CODING "G"	CODING "H"	9-1823467-8	0-2309220-9		
BLUE	WHITE	GREEN	GREY	CAVITY-4 CLOSED	CAVITY-2 CLOSED		
BLAU	WEISS	GRUEN	GRAU				

- NOTES
 Bemerkungen
- DELIVERY CONDITION, RETAINER IN PER-LOCK POSITION
 Anlieferungszustand, Kontaktsicherung in Vorraststellung
 - TERMINALS, SEE TE DRAWING 121436
 Kontakte, siehe TE Zeichnung 121436
 - INTERFACE ACC. TO TE SPECIFICATION No. 114-18375-1
 Schnittstelle nach TE Spezifikation Nr. 114-18375-1
 - PACKAGED
 Schuttpack verpackt

THIS DRAWING IS A CONTROLLED DOCUMENT.		DAY 19MAY2009	REV 1
DIMENSIONS: UNLESS OTHERWISE SPECIFIED		CH 11	APPRO 19MAY2009
MATERIAL: S.TAB.		FINISH: -	SCALE: 2:1
CUSTOMER DRAWING		DATE: 19MAY2009	REV: 1
DRAWN: -		CHECKED: -	APPROVED: -
MATERIAL: S.TAB.		FINISH: -	SCALE: 2:1
CUSTOMER DRAWING		DATE: 19MAY2009	REV: 1

