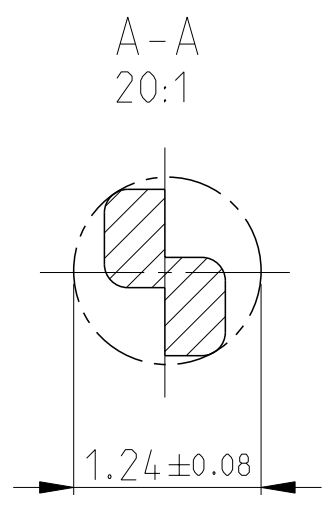
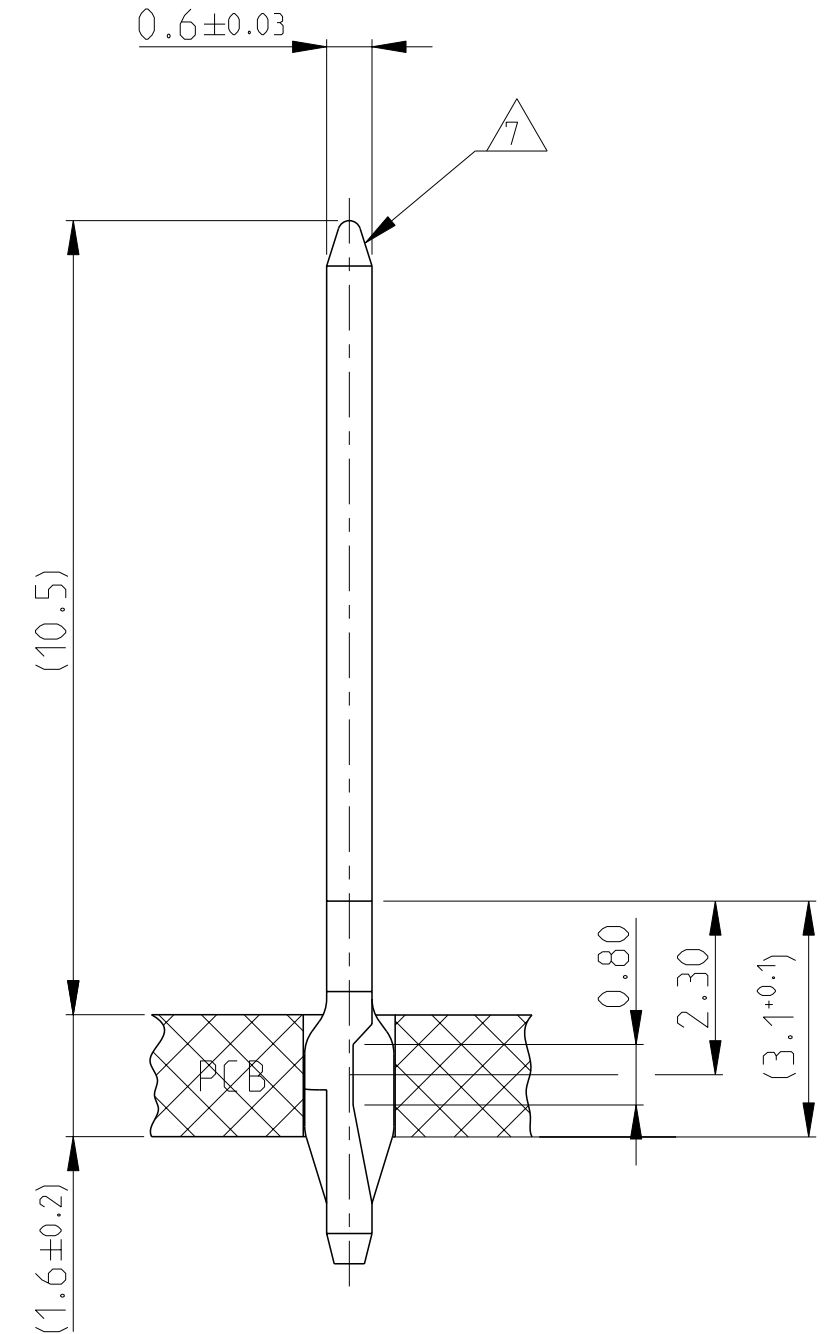
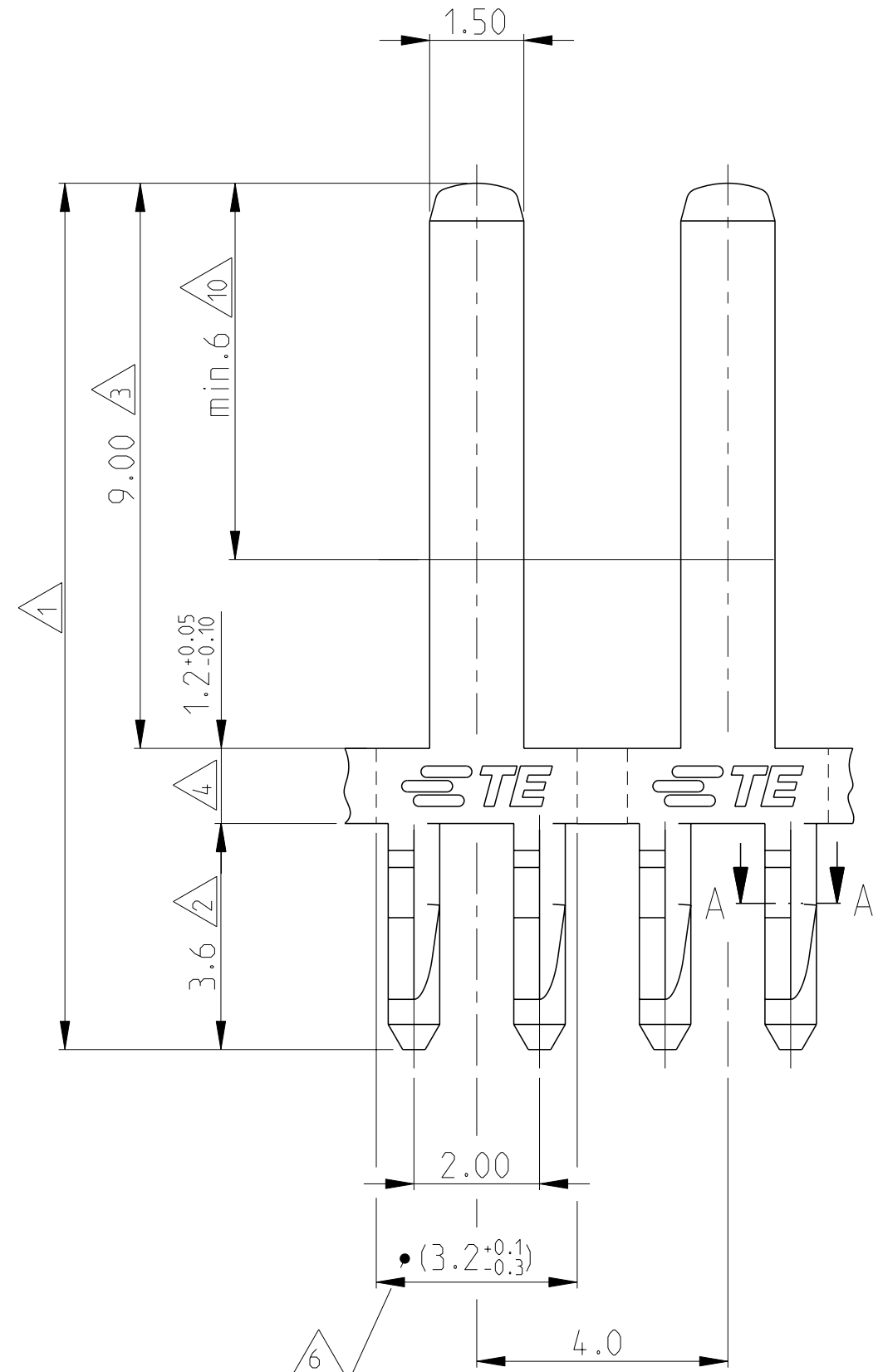
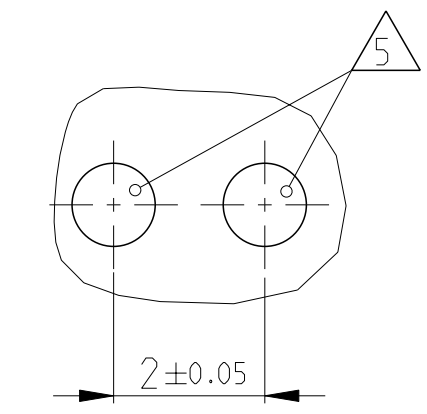


REVISIONS					
P	LTR	DESCRIPTION	DATE	DWN	APVD
A		NEW DRAWING	30OCT2008	PNI	JRY
A1		Part-No. 2-1823233-2, 2-1823233-3 added	25JUN2014	RM	JRY
A2		visibility of text corrected	09AUG2017	ST	PNI

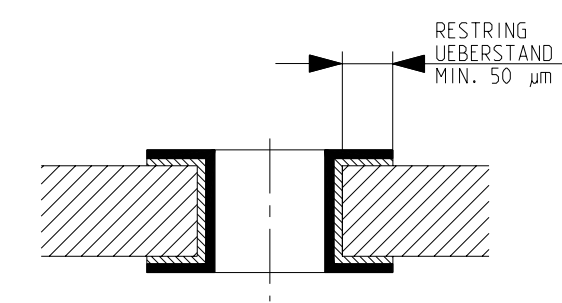


PCB-LAYOUT
Leiterplatten-Layout



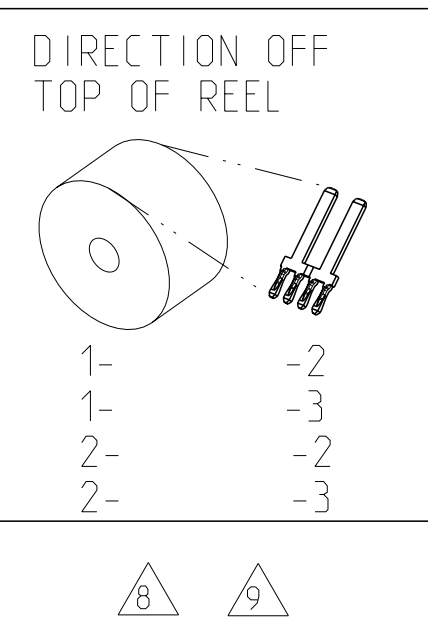
NOTES:
BEMERKUNGEN:

- 1 1.27 µm - 2.54 µm Ni OVER THE COMPLETE LENGTH
1.27 µm - 2.54 µm Ni ueber die gesamte Laenge
- 2 0.8 µm - 1.8 µm Sn
0.8 µm - 1.8 µm Sn
- 3 1.0 µm - 3.0 µm Sn
1.0 µm - 3.0 µm Sn
- 4 Sn
Sn
- 5



PLATED THROUGH HOLE SPECIFICATION SPEZIFIKATION FUER DURCHPLATIERTE BOHRUNGEN	
Cu THICKNESS KUPFER-SCHICHTDICKE	25-50 µm
Sn Pb-THICKNESS ZINN/BLEI SCHICHTDICKE	4-15 µm
DRILLED HOLE Ø1.10±0.025 BOHRLOCH Ø1.10±0.025	FINISHED HOLE Ø0.94 +0.15/-0.15 PLATIRTER LOCH Ø0.94 +0.15/-0.15

- 6 DIMENSION OF LOOSE PIECE
Mass fuer Einzelteil
- 7 ACCORDING TO EXECUTION INSTRUCTION AUDI NO. N 905 854
Nach Ausfuehrungsvorschrift AUDI Nr. N 905 854
- 8 TO BE REELED ON PANCAKE REEL WITH INTERLEAVING PAPER
Pappspulen mit Zwischenlagenpapier
- 9 TO BE REELED ON PLASTIC REEL WITH INTERLEAVING PAPER
Kunststoffspulen mit Zwischenlagenpapier
- 10 0.8 µm - 2.0 µm Au
0.8 µm - 2.0 µm Au



TE PART NO	REV.	MATERIAL	SURFACE	REEL PACKAGING
2-1823233-3	A	Cu Sn 4	2 + 10 OVER ueber 1	9
2-1823233-2	A	Cu Sn 4	2 + 10 OVER ueber 1	8
1-1823233-3	A	Cu Sn 4	2 + 3 + 4 OVER ueber 1	9
1-1823233-2	A	Cu Sn 4	2 + 3 + 4 OVER ueber 1	8

DIMENSIONS:		TOLERANCES UNLESS OTHERWISE SPECIFIED:	
mm		Allgemeintoleranz n. ISO 8015	n. ISO 2768-MS-E
0-PLC	±		
1-PLC	±0.2		
2-PLC	±0.1		
3-PLC	±		
4-PLC	±		
ANGLES	±1°		
FINISH			

THIS DRAWING IS A CONTROLLED DOCUMENT.		DWN P. Nickelfeld 30OCT2008		CHK J. Ryll 30OCT2008		APVD -		NAME	
MATERIAL -		PRODUCT SPEC 108-18706		APPLICATION SPEC 114-18379		WEIGHT -		CUSTOMER DRAWING	
SCALE 10:1		SHEET 1 OF 1		REV A2		SIZE A2		CAGE CODE 00779	
DRAWING NO C=1823233		RESTRICTED TO -		DRAWING NO		DRAWING NO		DRAWING NO	



TAB 1.5x0.6 WITH ACTION PIN
Flachstecker 1.5x0.6 mit ACTION PIN