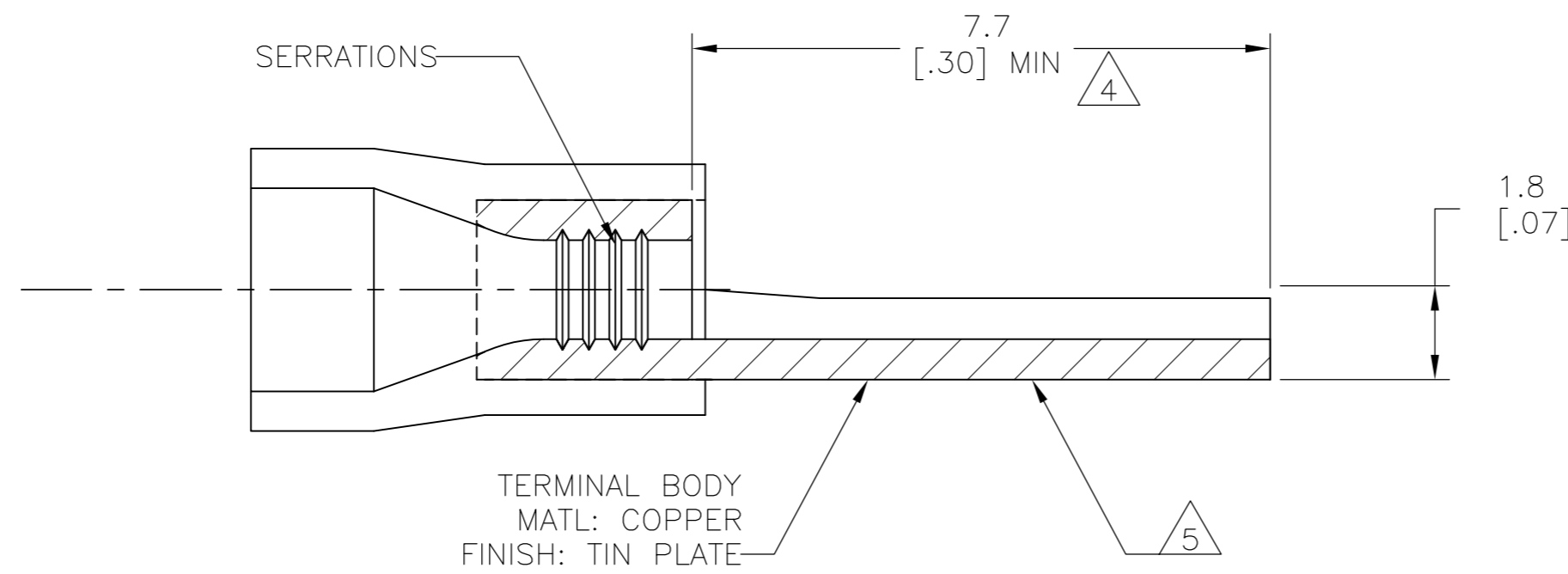
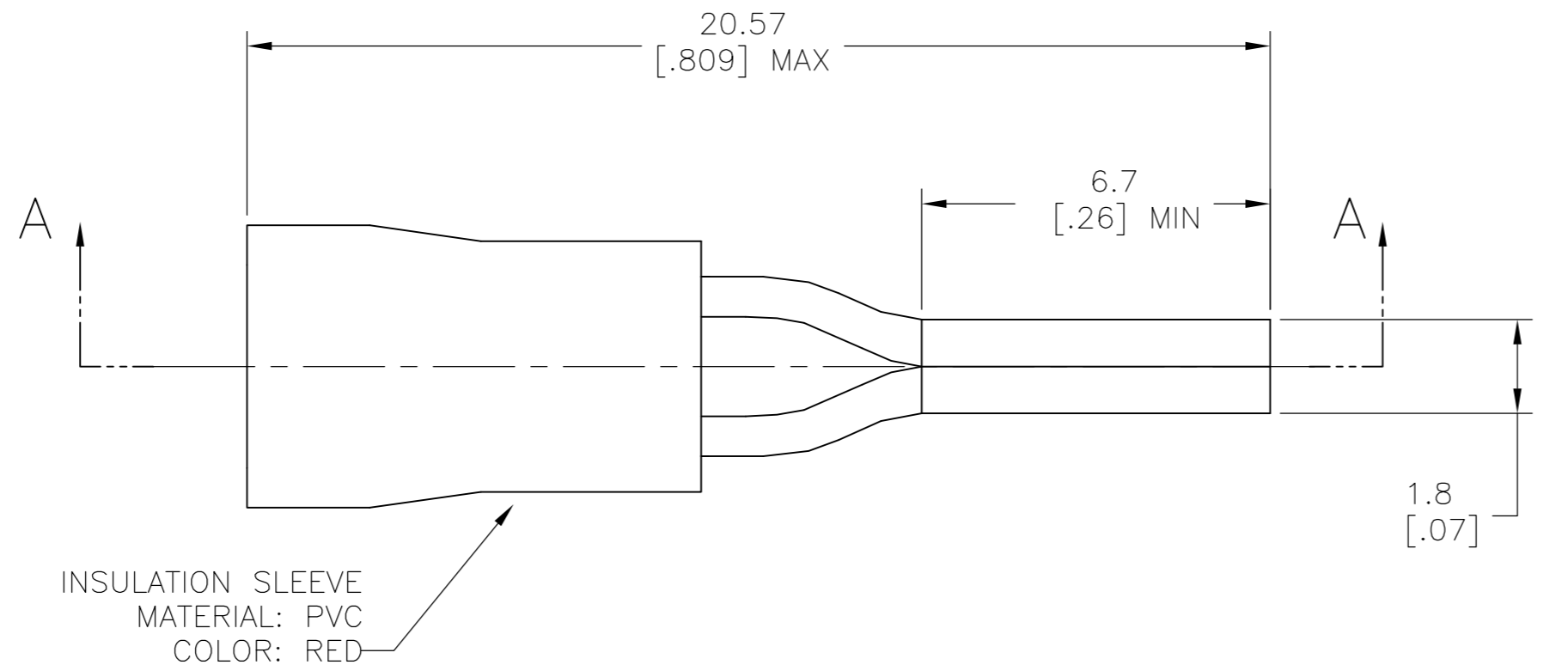


THIS DRAWING IS UNPUBLISHED. RELEASED FOR PUBLICATION
 © COPYRIGHT - By - ALL RIGHTS RESERVED.

LOC	DIST	REVISIONS			
P	LTR	DESCRIPTION	DATE	DWN	APVD
G	14				
	A	REVISED PER ECO-14-003208	18MAR2014	NK	DR



SECTION A-A

- 1 WIRE SIZE IS #22-#16 AWG
- 2 WIRE INSULATION DIA: 2.7 - 3.56[.11-.141]
- 3 MATERIAL THICKNESS IS 0.8[.03]
- 4 DIMENSION APPLIES FROM EDGE OF METAL WIRE BARREL TO END OF PIN
- 5 STAMP AMP 22-16* APPROX AS SHOWN
- 6 MAX RECOMMENDED OPERATING TEMPERATURE 105°C[221°F]

LOOSE PEICE	STANDARD	1000	181630
PACKAGING	LABELLING	QTY RED	PART NO

THIS DRAWING IS A CONTROLLED DOCUMENT.		DWN jr ruth 02FEB06	TE Connectivity	
DIMENSIONS: mm [INCHES]		CHK T MICHELUTTI 02FEB06	NAME TERMINAL, WIRE PIN, PLASTI-GRIP,	
TOLERANCES UNLESS OTHERWISE SPECIFIED:		APVD T MICHELUTTI 02FEB06	PRODUCT SPEC -	
0 PLC ± -		APPLICATION SPEC -	SIZE A2	CAGE CODE 00779
1 PLC ± 0.50[.019]		WEIGHT -	DRAWING NO C=181630	RESTRICTED TO -
2 PLC ± -		CUSTOMER DRAWING		
3 PLC ± -		SCALE 8:1	SHEET 1 of 1	REV A
4 PLC ± -				
ANGLES ± 1°				
MATERIAL -				
FINISH -				