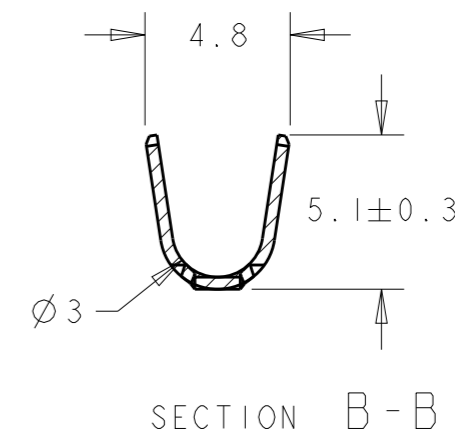
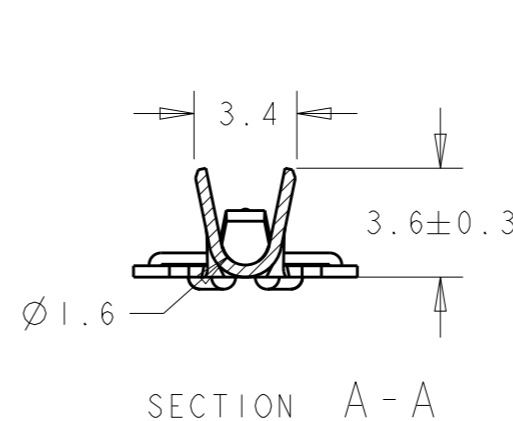
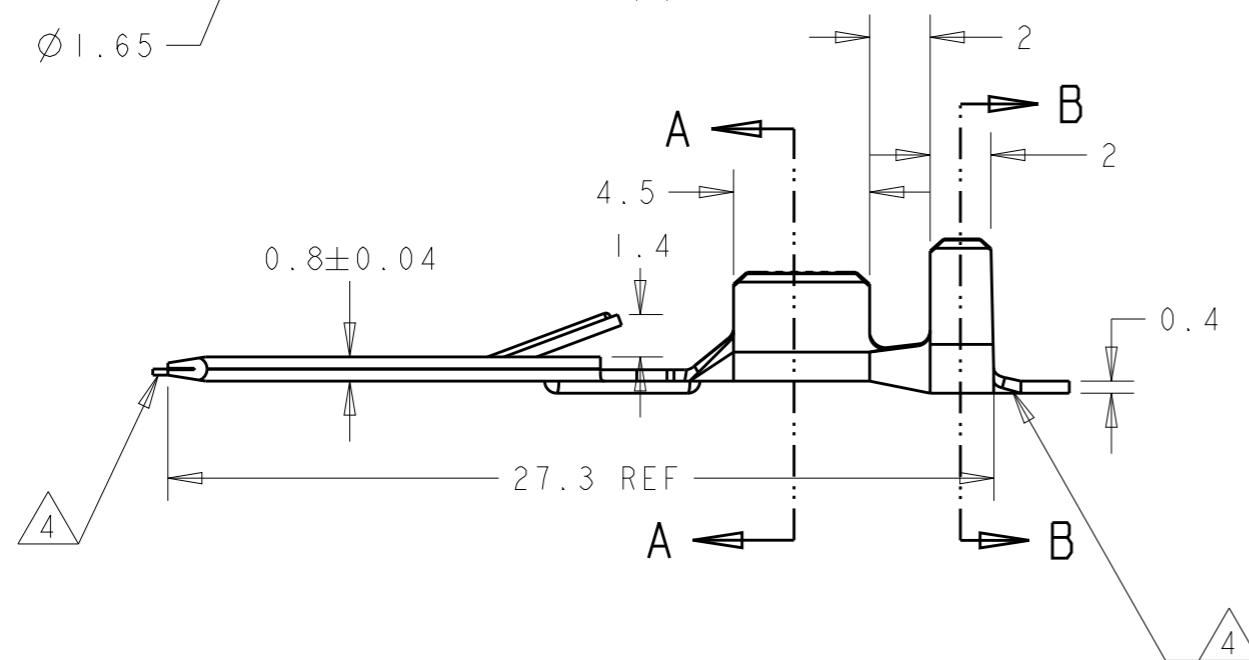
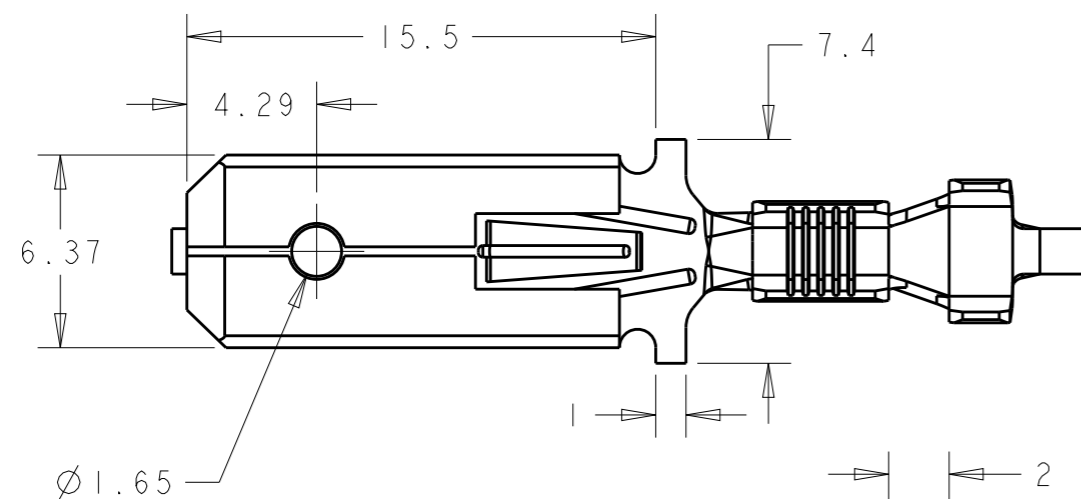


P	LTR	DESCRIPTION	DATE	DWN	APVD
	A2	REVISED PER ECR-19-015041	04NOV2019	PC	MB



NOTES:.

1. WIRE BARREL CRIMP : Width 2.54mm (.100)
Height 1.46mm (.057) "F Crimp"
2. INSULATION BARREL CRIMP: 4.06mm (.160) "OVERLAP"
3. MATERIAL: BRASS 100-86: 0.4±0.01 x 12.0 T2
- △ 0.5 MAX CUT OFF TABS
5. WIRE RANGE: MAGNET WIRE 0.9 - 1.6mm Ø
6. INSULATION RANGE: 2.2 - 3.3mm Ø
7. NO VISIBLE OIL RESIDUE
8. REELED WITH INTERLEAVE PAPER

NONE	NOTE 3	1814988-1
FINISH	MATERIAL	PART NO

THIS DRAWING IS A CONTROLLED DOCUMENT.		DWN M. GREENER 04-Nov-19														
DIMENSIONS: mm		CHK J. AMBROSE 28NOV2006														
TOLERANCES UNLESS OTHERWISE SPECIFIED:		APVD J. AMBROSE 28NOV2006	NAME .250 SERIES FASTIN FASTON TAB - AMPLIVAR													
<table border="1"> <tr> <td>0 PLC</td> <td>±0.5</td> </tr> <tr> <td>1 PLC</td> <td>±0.5</td> </tr> <tr> <td>2 PLC</td> <td>±0.5</td> </tr> <tr> <td>3 PLC</td> <td>±0.5</td> </tr> <tr> <td>4 PLC</td> <td>±0.5</td> </tr> <tr> <td>ANGLES</td> <td>±</td> </tr> </table>		0 PLC	±0.5	1 PLC	±0.5	2 PLC	±0.5	3 PLC	±0.5	4 PLC	±0.5	ANGLES	±	PRODUCT SPEC 108-3271	SIZE A3	
0 PLC	±0.5															
1 PLC	±0.5															
2 PLC	±0.5															
3 PLC	±0.5															
4 PLC	±0.5															
ANGLES	±															
MATERIAL SEE TABLE		APPLICATION SPEC 114-18022	CAGE CODE 00779	DRAWING NO 1814988												
FINISH SEE TABLE		WEIGHT -	RESTRICTED TO													
CUSTOMER DRAWING			SCALE 2:1	SHEET 1 OF 1												
			REV A2													