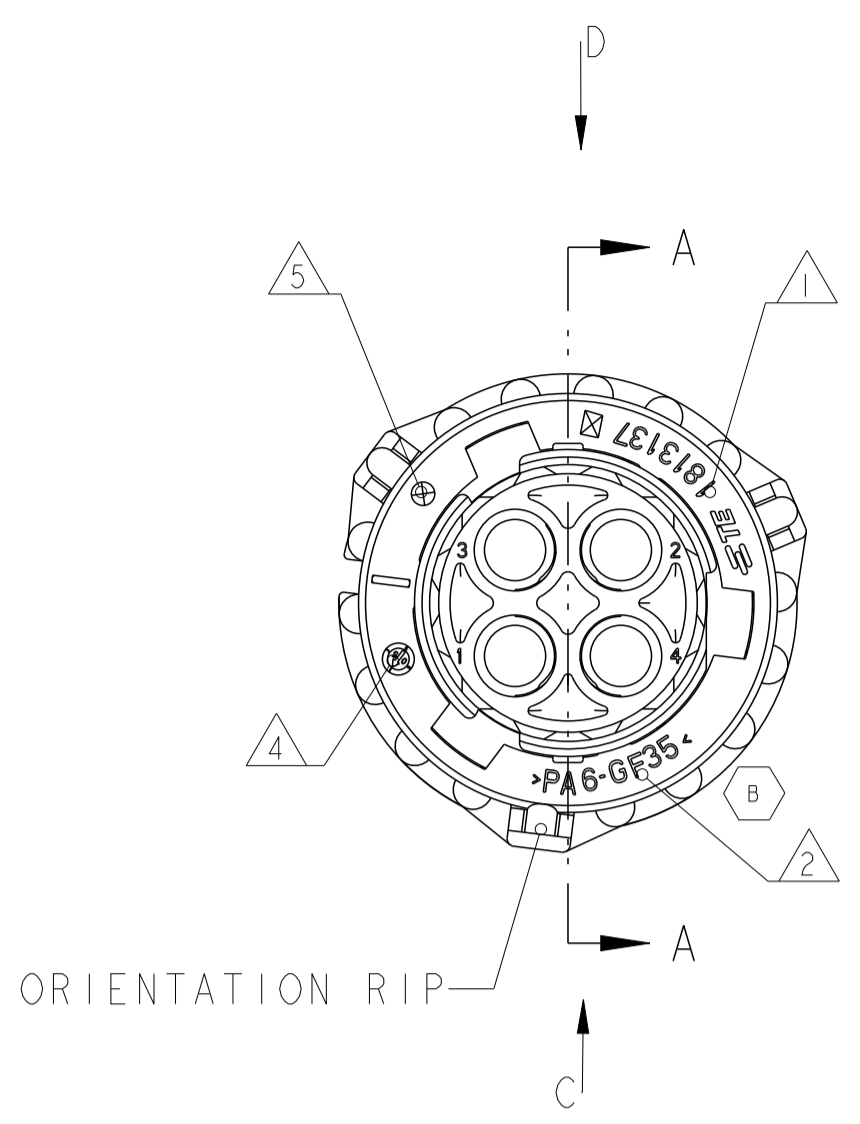
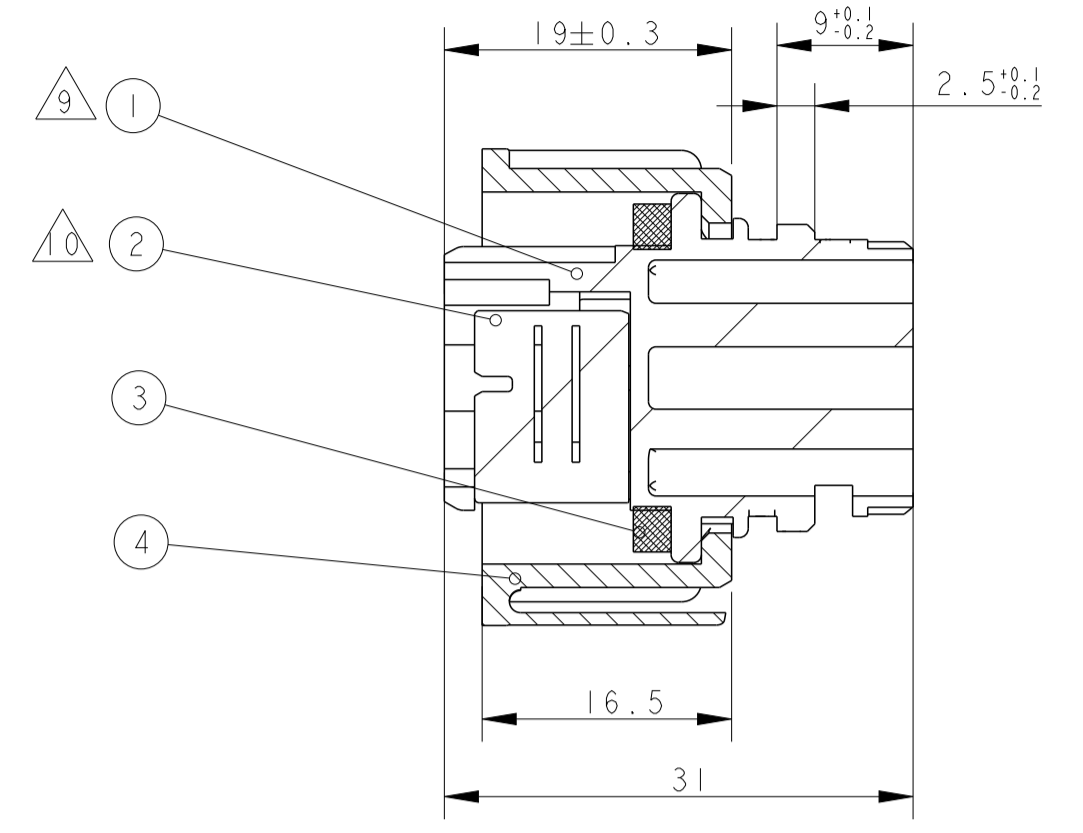


Project No CA05-007

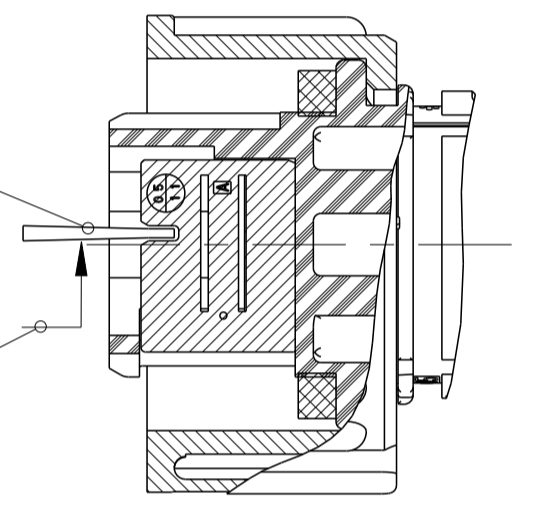
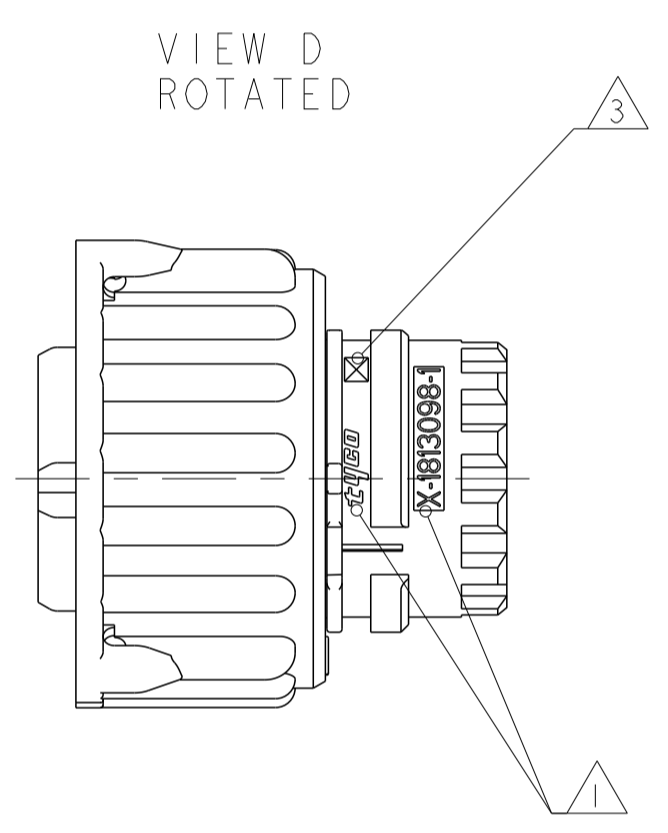
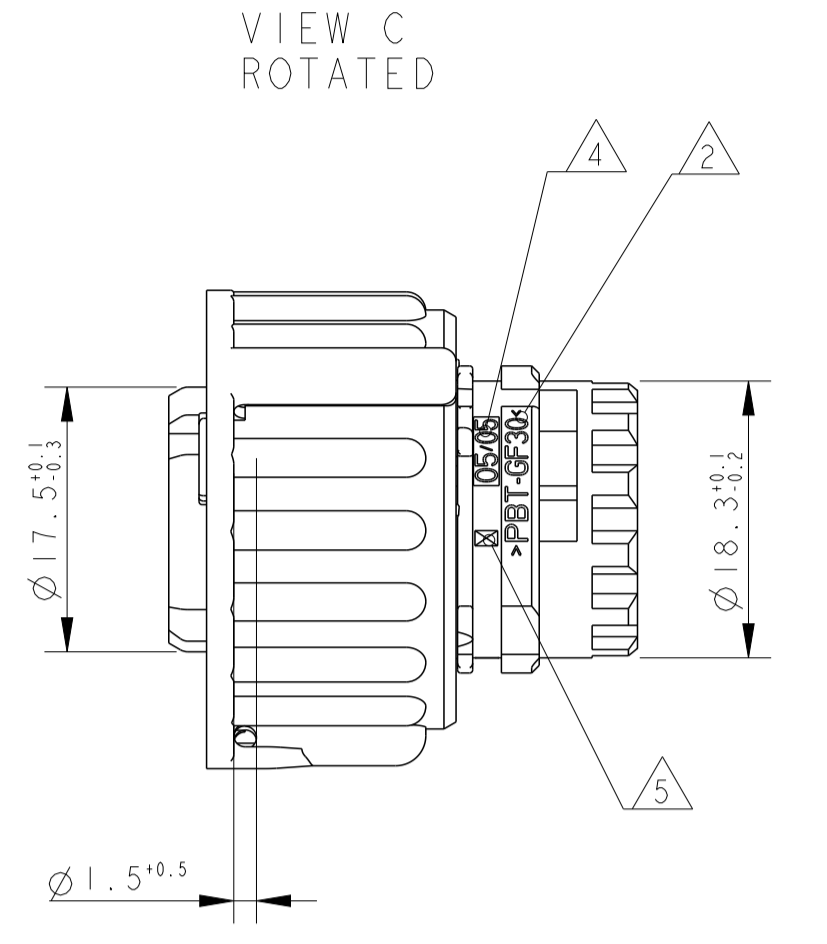
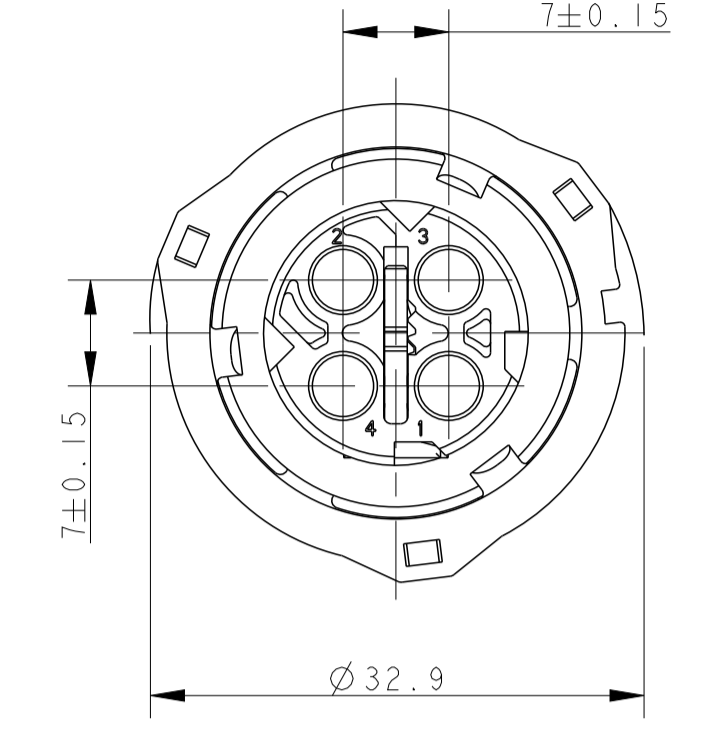
REVISIONS				
P	LTN	DESCRIPTION	DATE	OWN APVD
	A	REVISED ECO-13-010505	10APR13	J.L I.Y
	A1	OBSOLETE PNs	01MAR2019	V.T I.Y
	A2	ADD NEW PNs ECR-19-006325	25MAY2019	N.S I.Y
	B	REVISED ECR-2023-01-003-E	07MAR2023	M.L Z.Z



COUPLING RING IN PRE-LOCKED POSITION (FITTING POSITION WITH PIN HOUSING)



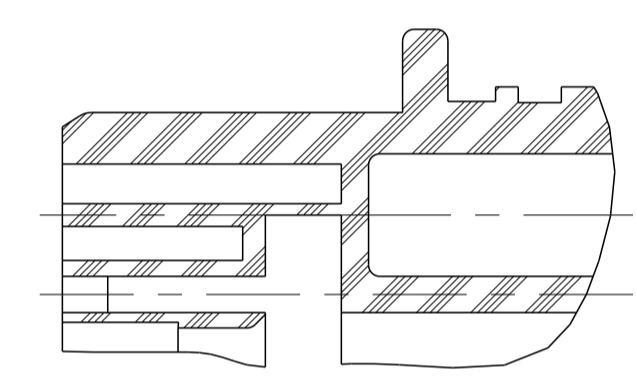
SECTION A-A



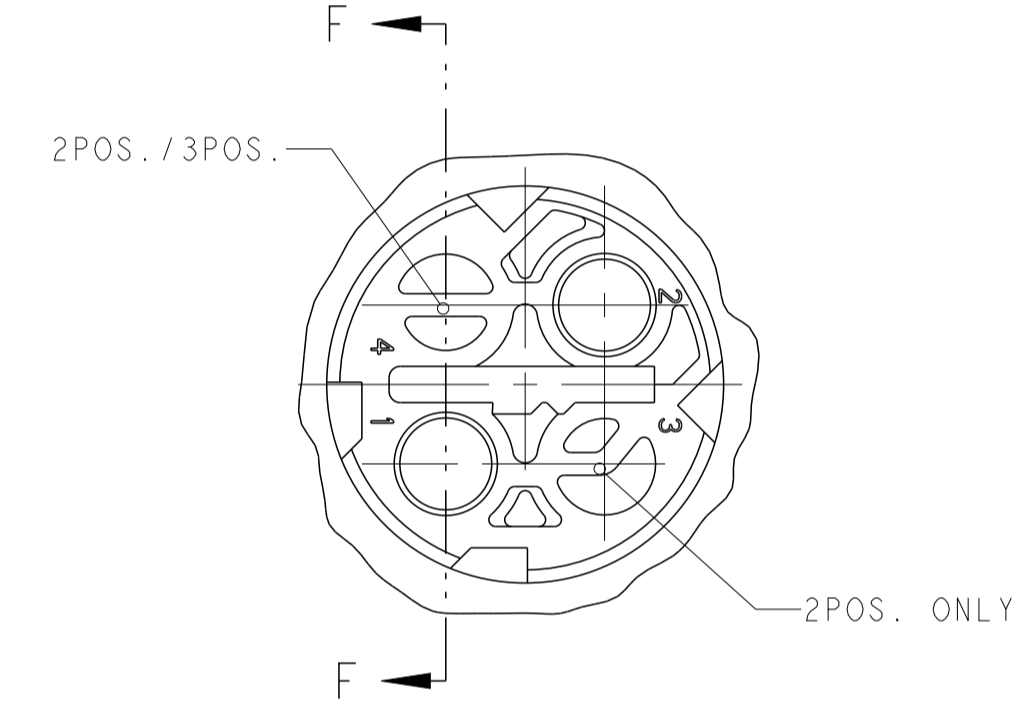
SECTION A-A

SECOND LOCKING DEVICE IN PRE-LOCKED POSITION

SECOND LOCKING DEVICE IN LOCKED POSITION



SECTION F-F



CLOSED CAVITY OF THE 2POS./3POS. SOCKET HOUSING

NOTES:

- 1 TYCO LOGO AND TYCO NUMBER OF SINGLE PART
- 2 MATERIAL MARKING, EXCHANGEABLE
- 3 REVISION OF THE MOULD
- 4 PRODUCTION DATE
- 5 CAVITY MARKING
6. FITS TO CONNECTORS ACC. TO DIN 72585/ISO 15170 FORM A AND B AND PIN-HOUSING 2-4POS. TYCO-PN 967402
7. FOR SUITABLE CONTACTS SEE DRAWING: TYCO-PN: 1355065. MAX. WIRE THICKNESS: 2.5mm FLR. FOR SUITABLE SEALS SEE DRAWING: TYCO-PN: 1355070
8. BULK PACKING IN CARDBOARD BOX
- 9 CODING ACC. TO DIN 72585/ISO15170
- 10 SECONDARY LOCK IS ONLY AVAILABLE FOR 1-1813099-X, 2-1813099-X, 3-1813099-X, 4-1813099-X. DETAIL SEE TABLE.

QTY	DESCRIPTION	UNIT	ITEM
4	PA6-GF35	BLACK	COUPLING RING
4	PA6-GF35	BLACK	COUPLING RING
3	SILICONE RUBBER	ORANGE	SEAL
2	PBT-G30	YELLOW	SECOND LOCKING DEVICE
1	PBT-GF30	BLUE	2POS. SOCKET HOUSING (BLUE)
1	PBT-GF30	BLUE	3POS. SOCKET HOUSING (BLUE)
1	PBT-GF30	BLUE	4POS. SOCKET HOUSING (BLUE)
1	PBT-GF30	GREEN	2POS. SOCKET HOUSING (GREEN)
1	PBT-GF30	GREEN	3POS. SOCKET HOUSING (GREEN)
1	PBT-GF30	GREEN	4POS. SOCKET HOUSING (GREEN)
1	PBT-GF30	GREY	2POS. SOCKET HOUSING (GREY)
1	PBT-GF30	GREY	3POS. SOCKET HOUSING (GREY)
1	PBT-GF30	GREY	4POS. SOCKET HOUSING (GREY)
1	PBT-GF30	BLACK	2POS. SOCKET HOUSING (BLACK)
1	PBT-GF30	BLACK	3POS. SOCKET HOUSING (BLACK)
1	PBT-GF30	BLACK	4POS. SOCKET HOUSING (BLACK)
1	MATERIAL	COLOR	DESCRIPTION
1			ITEM

THIS DRAWING IS A CONTROLLED DOCUMENT.
 DIMENSIONS: mm
 TOLERANCES UNLESS OTHERWISE SPECIFIED: % NOMINAL TOLERANCE
 0 - 30 - +0.2
 1 - 30 - +0.1
 2 - P.C. - +0.01
 3 - P.C. - +0.001
 4 - P.C. - +0.001
 ANGLES ±1°00'
 FINISH -

OWN: A. ZHANG 03JUN2005
 CHK: R. ZHOU 25OCT2005
 NAME: 2.5mm SOCKET CONNECTOR, 2-4POS WITH SECONDARY LOCKING
 PRODUCT SPEC: 108-161130
 APPLICATION SPEC: 114-18255-0
 WEIGHT: -
 SCALE: 3:1 SHEET 1 OF 1 REV: B2
 RESTRICTED TO: -