

THIS DRAWING IS UNPUBLISHED. RELEASED FOR PUBLICATION 20
 © COPYRIGHT 20 BY TYCO ELECTRONICS CORPORATION. ALL RIGHTS RESERVED.

LOC	DIST	REVISIONS			
P	LTR	DESCRIPTION	DATE	DWN	APVD
DF	A5				
	1	DRAWN	14APR05	-	-
	2	REVISED	17JAN06	BH	RW

D

D

C

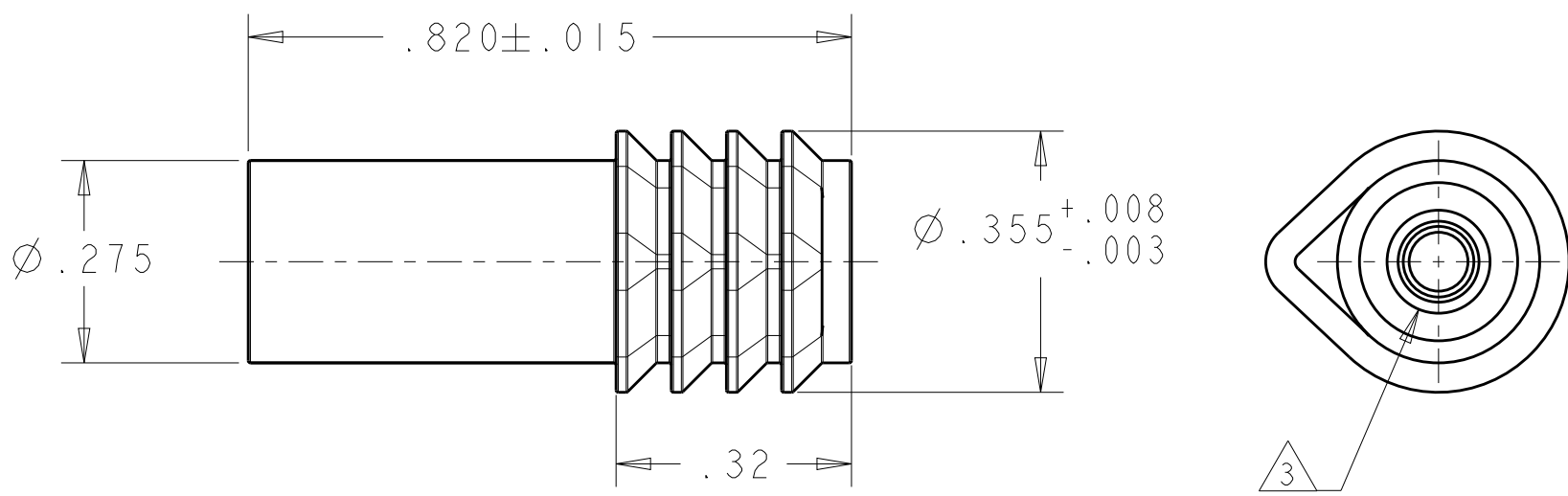
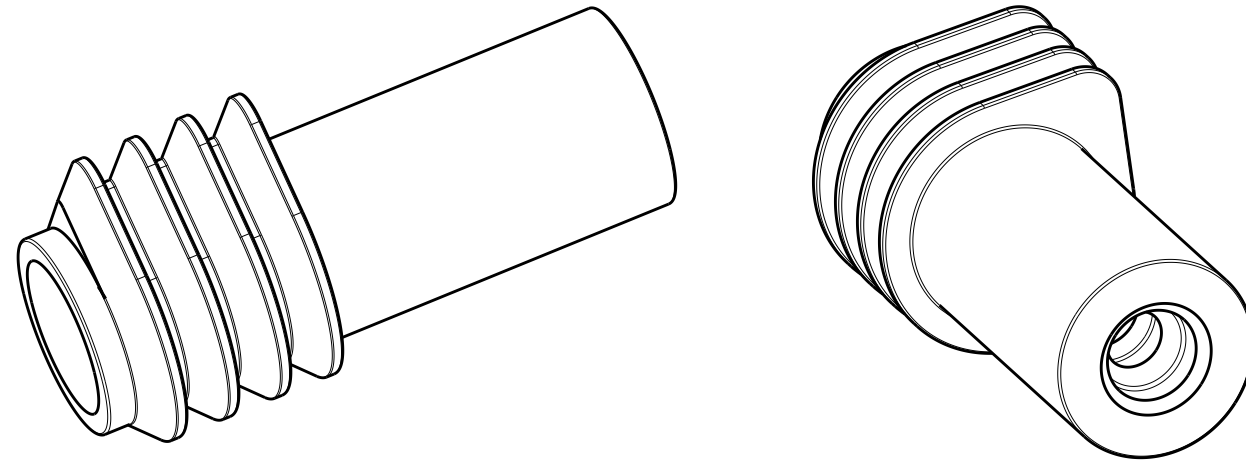
C

B

B

A

A



OBSOLETE
 OBSOLETE
 OBSOLETE

500	WIRE SEAL FOR QUAD CABLE	1811981-4
100	WIRE SEAL FOR QUAD CABLE	1811981-3
10	WIRE SEAL FOR QUAD CABLE	1811981-2
-	-	1811981-1
△4 PACKAGE QTY	DESCRIPTION	PART NUMBER

- △1 MATERIAL: SELF LUBRICATING SILICONE
- 2. COLOR: BLUE
- △3 INSIDE DIAMETER TO SEAL OFF ON .110 - .140 INCH OUTSIDE DIAMETER CABLE
- △4 PARTS PACKAGED IN POLY BAGS IN QUANTITY PER TABLE.

<small>THIS DRAWING IS A CONTROLLED DOCUMENT FOR TYCO ELECTRONICS CORPORATION. IT IS SUBJECT TO CHANGE AND THE CONTROLLING ENGINEERING ORGANIZATION SHOULD BE CONTACTED FOR THE LATEST REVISION.</small>		DWN BH 14APR05	Tyco Electronics Harrisburg, PA 17105-3608	
DIMENSIONS: IN 		CHK R.P.WALTER 14APR05	NAME BOOT, SEAL, WIRE, TWINAX	
TOLERANCES UNLESS OTHERWISE SPECIFIED: 0 PLC ±- 1 PLC ±- 2 PLC ±.01 3 PLC ±.005 4 PLC ±- ANGLES ±-		APVD R.P.WALTER 14APR05	RESTRICTED TO	
MATERIAL △1		PRODUCT SPEC -	SIZE A3	CAGE CODE 00779
FINISH -		APPLICATION SPEC -	DRAWING NO C-1811981	REV 2
		WEIGHT -	SCALE 4:1	SHEET 1 OF 1
		Customer Drawing		