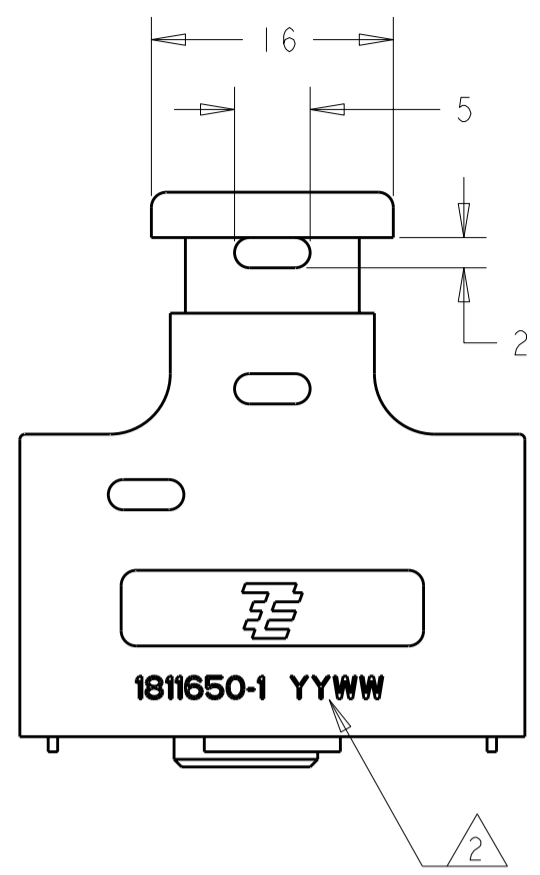
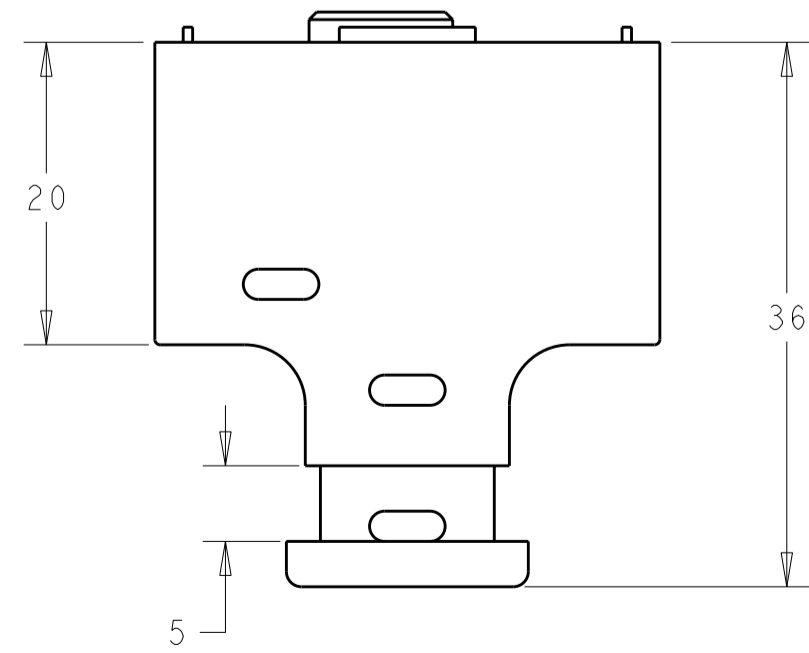
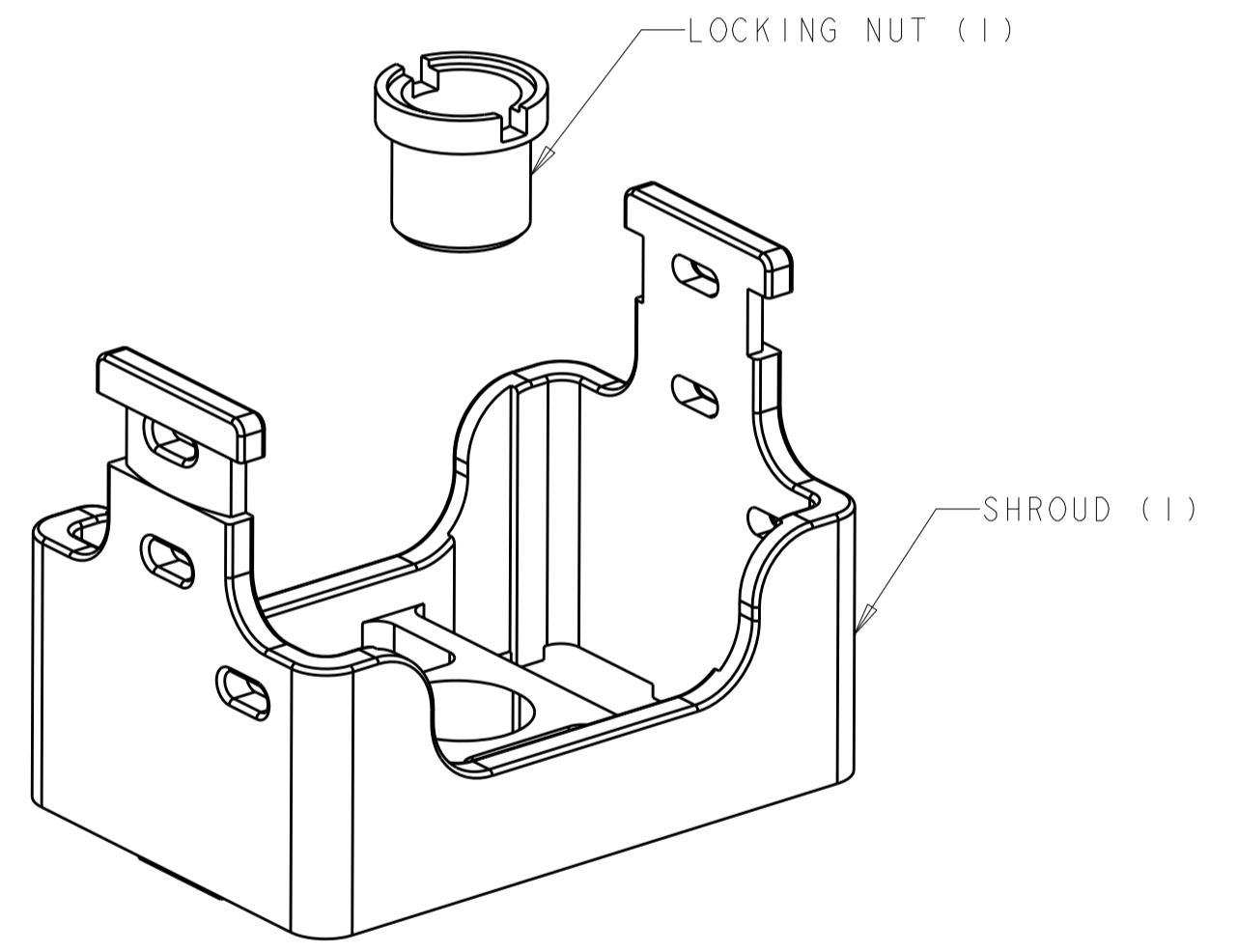
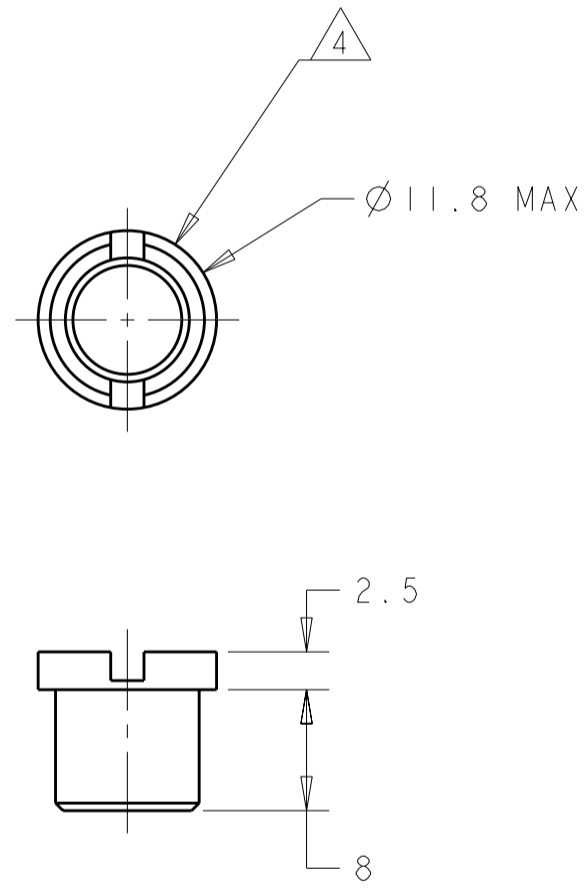
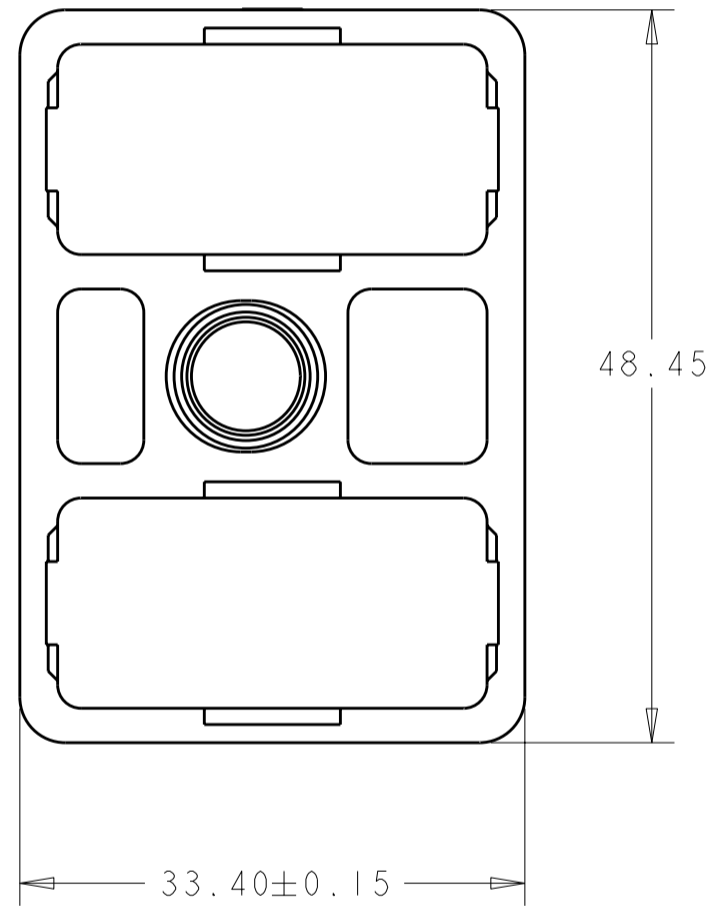


THIS DRAWING IS UNPUBLISHED. RELEASED FOR PUBLICATION 20
 © COPYRIGHT 20 BY TYCO ELECTRONICS CORPORATION. ALL RIGHTS RESERVED.

LOC		DIST		REVISIONS			
P	LTR	DESCRIPTION	DATE	DWN	APVD		
DF	A5	A	REV PER ECO-06-011653	27MAY06	BW	JPM	
		B	REV PER ECO 07-019834	23AUG2007	CT	KH	
		C	REVISED PER ECO-10-009274	20APR2010	RF	JM	
		D	REVISED PER ECO-10-014982	27JUL2010	DF	JM	



- ① SHROUD: GLASS-FILLED PA46 THERMOPLASTIC, UL 94 V-0 RATED, COLOR: BLACK
 LOCKING NUT: STAINLESS STEEL PER AISI 316.
- ② DATE CODE - YEAR & WEEK (YY WW).
- 3. THE SHROUD AND LOCKING NUT ARE SHIPPED UNASSEMBLED.
- ④ A SPANNER WRENCH TOOL, TYCO ELECTRONICS P/N 1738220-1 (WITH 1/4-in. ADAPTER) OR 1738221-1 (WITH T-HANDLE) IS USED TO LOCK THE RETAINING NUT TO THE JACKSCREW OF THE CORRESPONDING GPR CONNECTOR.
- 5. THIS PRODUCT IS SOLD BY TYCO ELECTRONICS UNDER A LICENSE FROM RADIAL SA.



1811650-1
 PART NUMBER

THIS DRAWING IS A CONTROLLED DOCUMENT FOR TYCO ELECTRONICS CORPORATION. IT IS SUBJECT TO CHANGE AND THE CONTROLLING ENGINEERING ORGANIZATION SHOULD BE CONTACTED FOR THE LATEST REVISION.		DWN	BW	11FEB2005	Tyco Electronics Harrisburg, PA 17105-3608	NAME		STRAIN RELIEF KIT, VERTICAL, GPRB2		
DIMENSIONS:		CHK	JPM	11FEB2005		PRODUCT SPEC		SIZE	CAGE CODE	DRAWING NO
mm		APVD	JPM	11FEB2005		APPLICATION SPEC		A200779	C-1811650	RESTRICTED TO
TOLERANCES UNLESS OTHERWISE SPECIFIED: 0 PLC ±0.2 1 PLC ±0.1 2 PLC ±0.1 3 PLC ± 4 PLC ± ANGLES ± FINISH		MATERIAL		WEIGHT		CUSTOMER DRAWING		SCALE	2:1	SHEET 1 OF 1