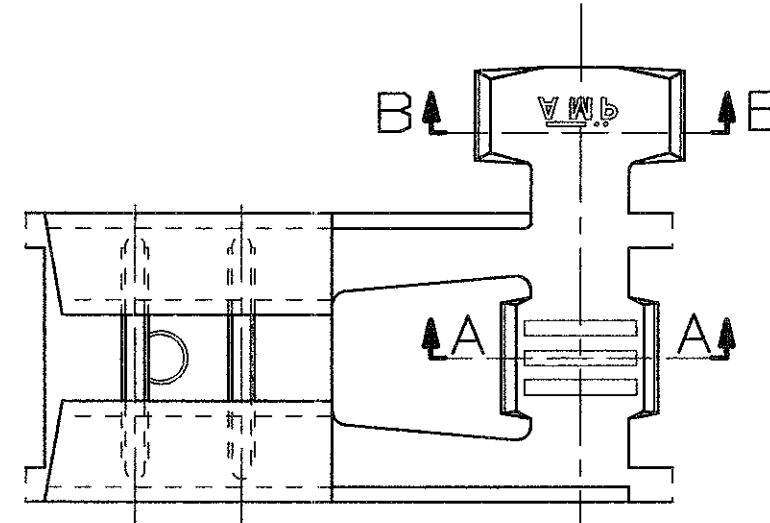
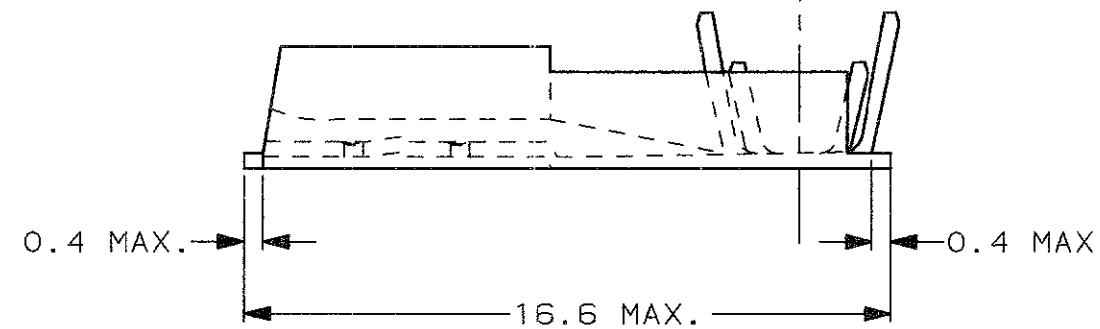
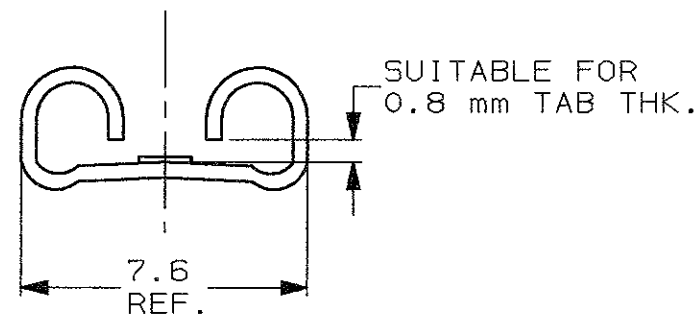


SCALA NON IMPEGNATIVA
(DO NOT SCALE)
DIMENSIONI IN mm
(DIMENSIONS IN mm)

METRIC

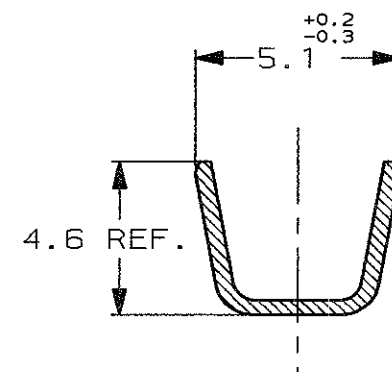
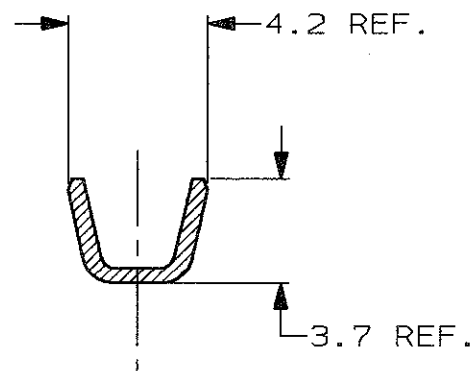


- 1) PER LA VERSIONE IN NASTRO
VEDERE DISEGNO 180397.
(FOR STRIP FORM VERSION SEE DRAWING 180397).
- 2) CONFEZIONAMENTO IN ACCORDO
ALLA SPECIFICA AMP 107-20201.
(PACKAGE ACCORDING TO AMP SPEC. 107-20201).



SECTION A-A

SECTION B-B



OBSOLETE	STAGNATO (TIN PLATED)	BRONZO FOSF. (PHOS. BRONZE)	0-180429-5	K
	STAGNATO (TIN PLATED)	OTTONE (BRASS)	0-180429-2	K
	NUDO (UNPLATED)	OTTONE (BRASS)	0-180429-1	K
	FINITURA / COLORE (FINISH / COLOUR)	MATERIALE (MATERIAL)	NUMERO (PART NUMBER)	REV

CUSTOMER DWG. FOR REFERENCE ONLY DISEGNO PER CLIENTE SOLO PER RIFERIMENTO

THIS DRAWING IS UNPUBLISHED RELEASE FOR PUBLICATION 19

TOLLERANZE, SE NON DIVERSAMENTE SPECIFICATO (TOLERANCES, UNLESS OTHERWISE SPECIFIED)	DIAM. ISOLANTE (INS. DIA. RANGE)	RANGO FILO (WIRE RANGE)	SCALA (SCALE)
± 0.3	2.5-3.8	1.0-2.5	5:1
ANGOLI (ANGLES)	TE Connectivity		

DIS. 21 JUN 2001 (DR.) H. YAALI DESCRIZIONE (DESCRIPTION) FASTON® Connector, .250" FLAG REC. CONTACT (LOOSE PIECE VERSION)

AZ	REVISED PER ECN-24-267558	DB	28MAY 24
K2	ECR-17-000709	ST	22FEB 17
K1	REVISED PER ECO-11-005294	RK	07APR 11
REV. (REV. LTR.)	REVISIONI (REVISION RECORD)	DIS (DR)	DATA (DATE)

CONT. 21 JUN 2001 (CHK) C. TARTARI	LOC. SIZE (DWG NO)	NUMERO (SHEET)	REV.	FOGLIO (SHEET)
APP. (APP.)	I A3	C-180429	AZ	1 DI (OF) 1

DISTRIBUZIONE (PRINT DIST.)