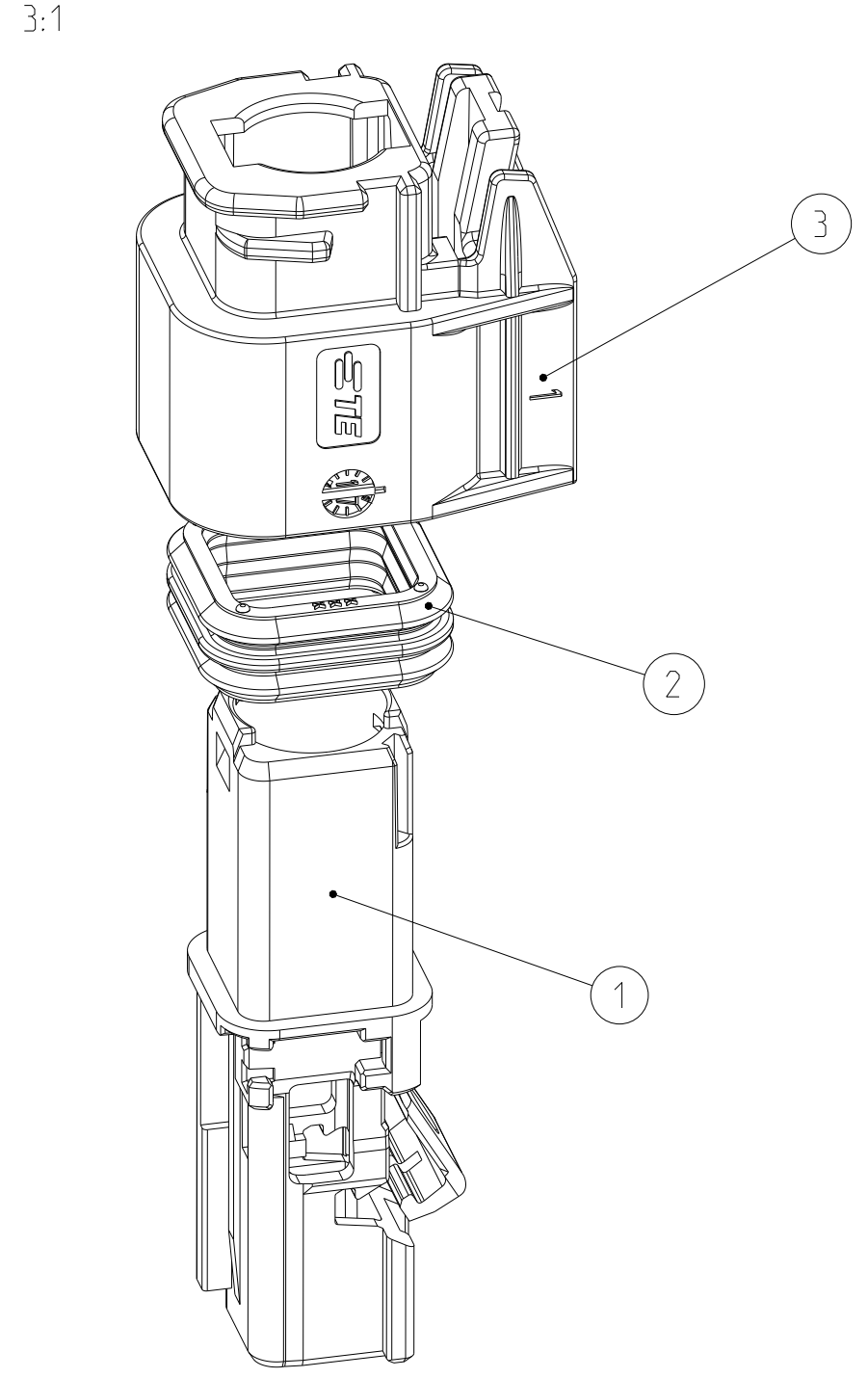
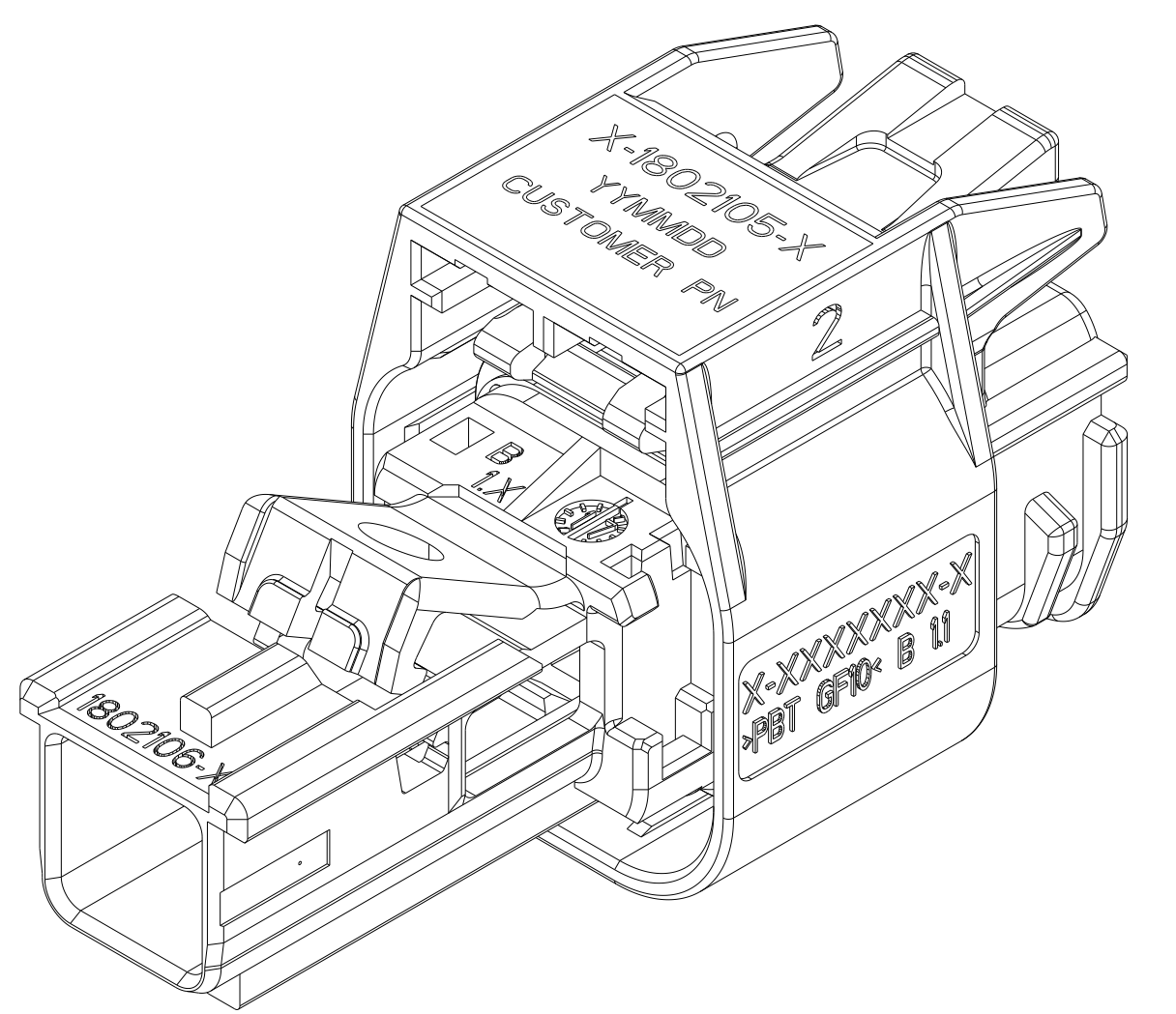
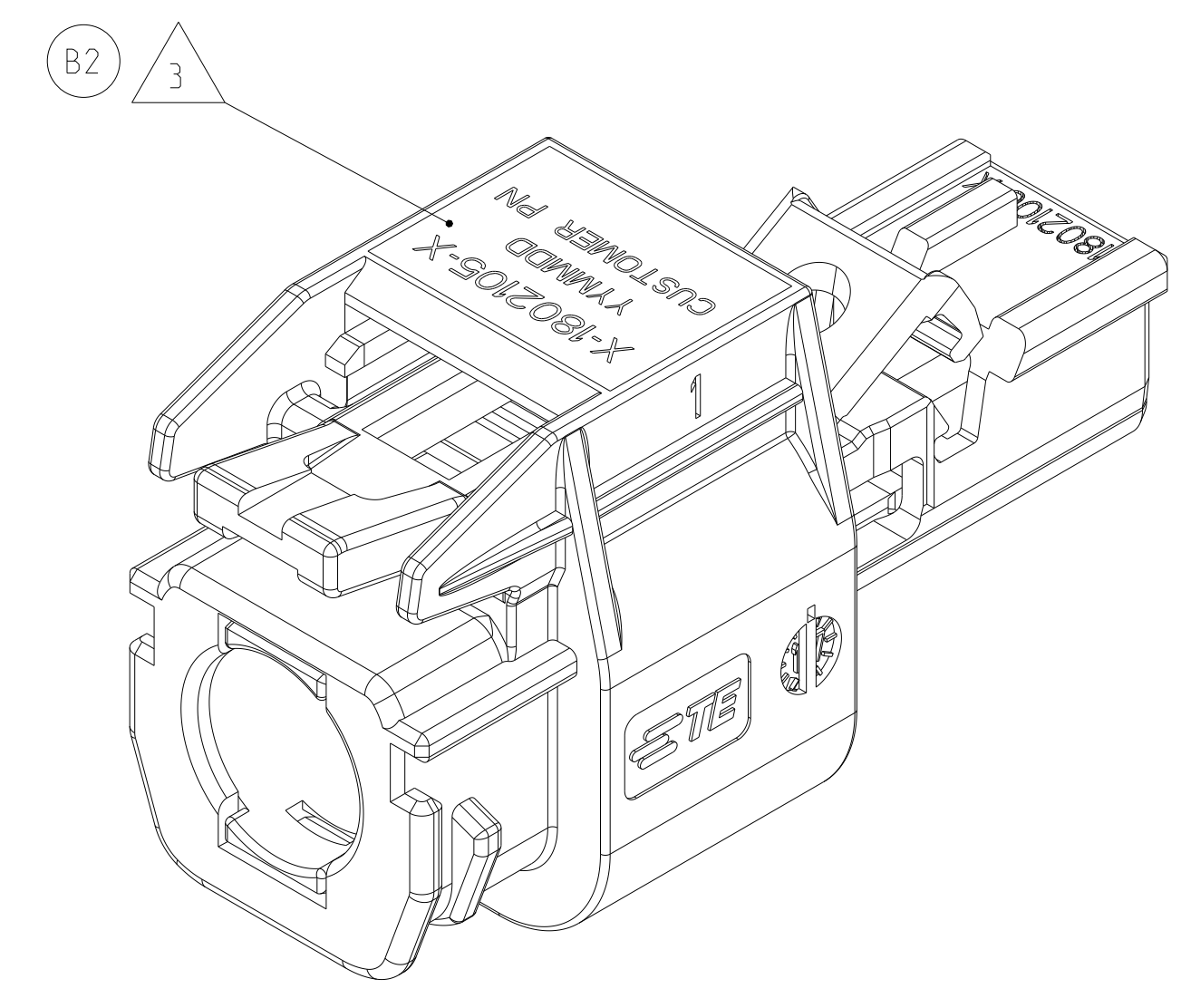
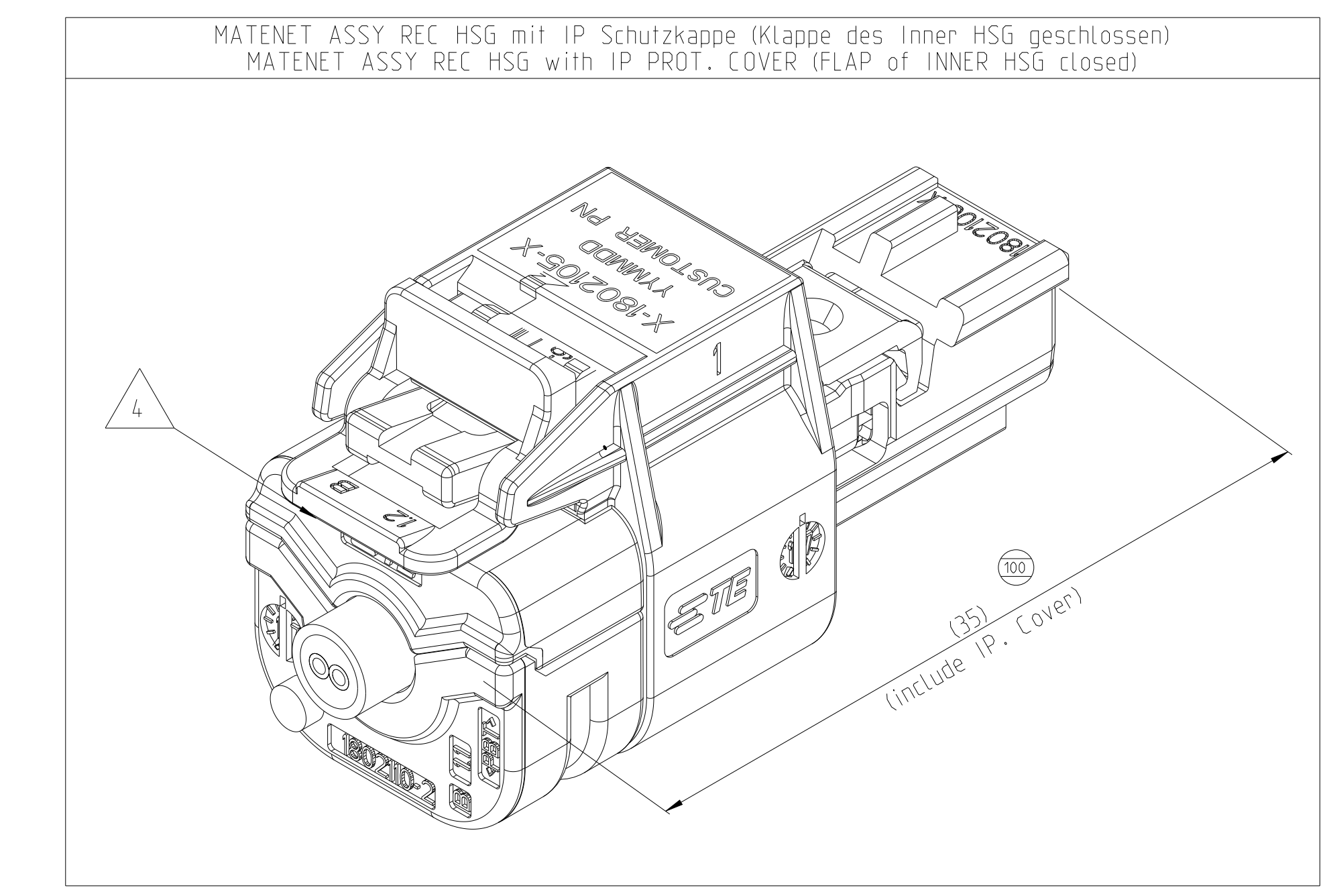
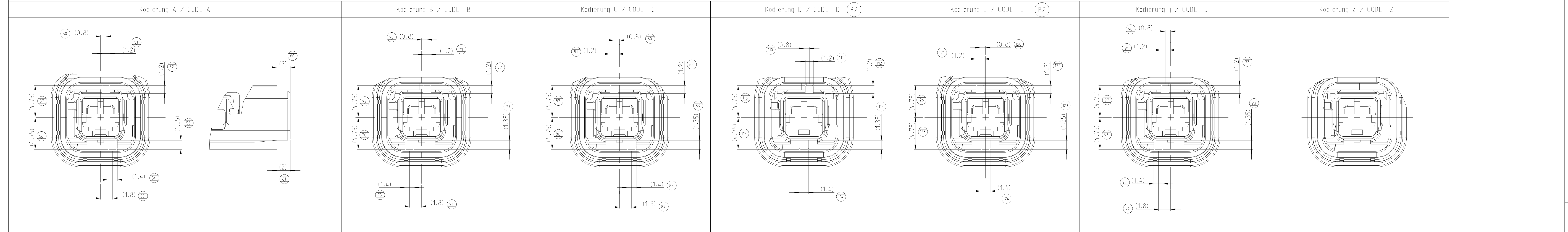
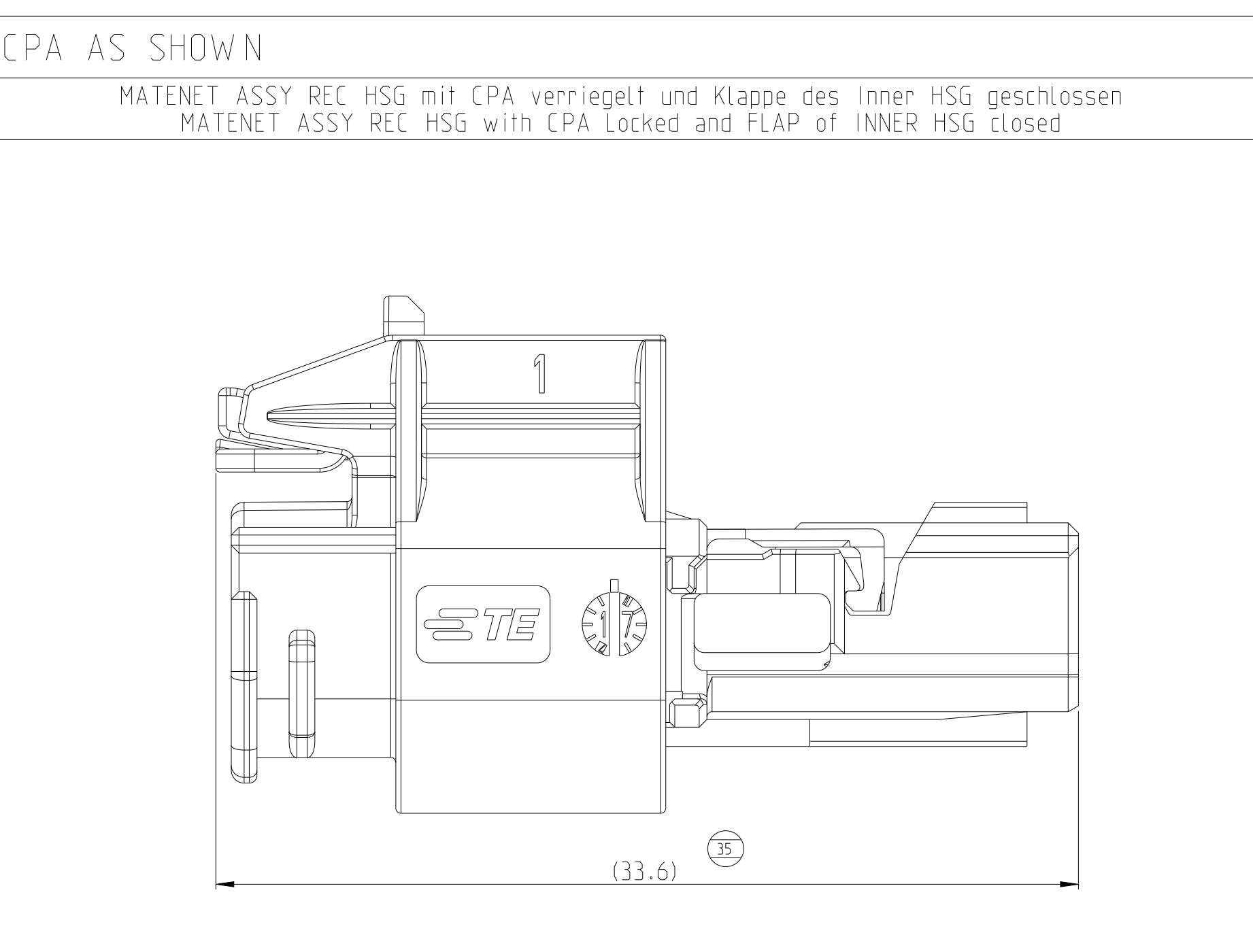
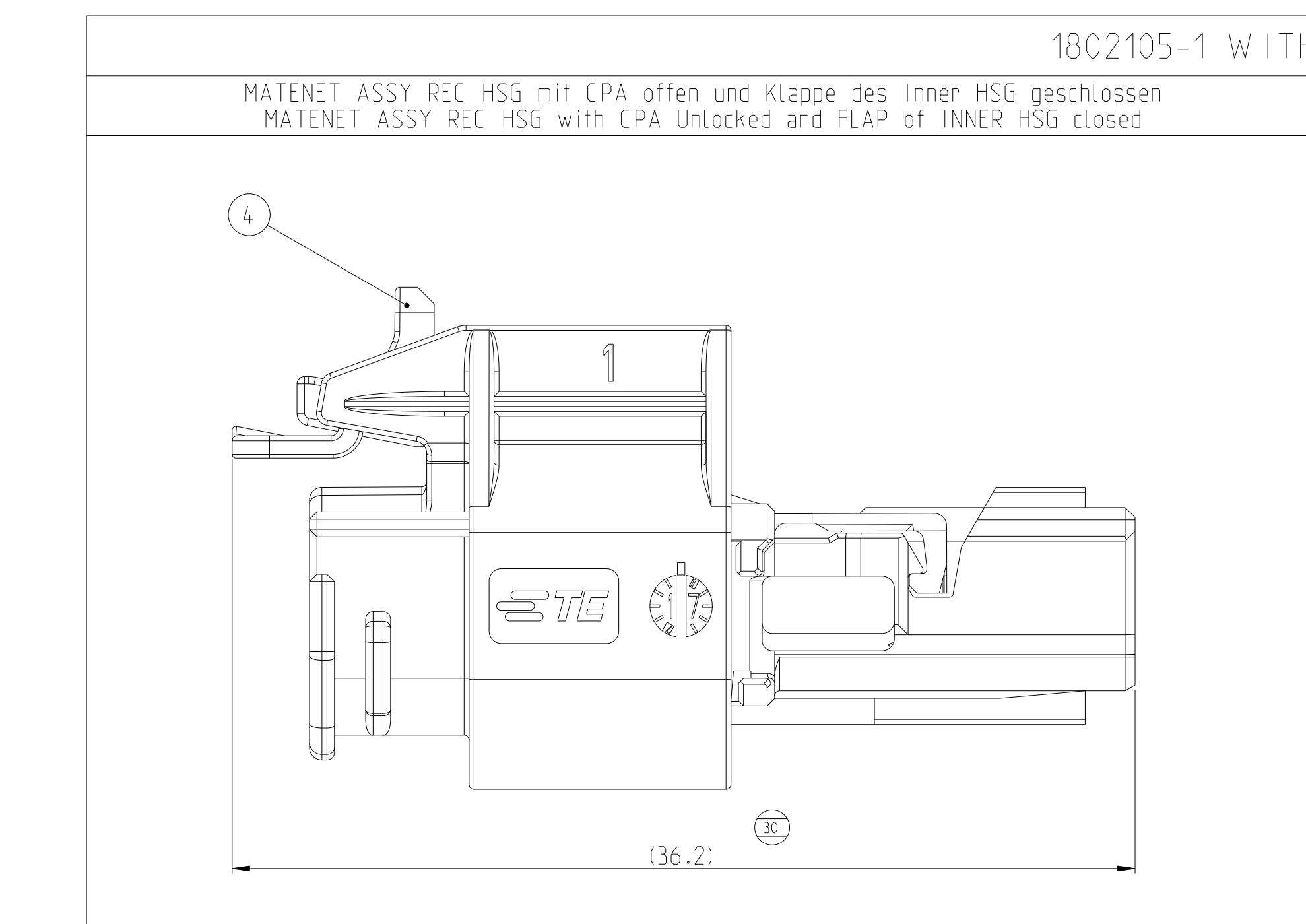
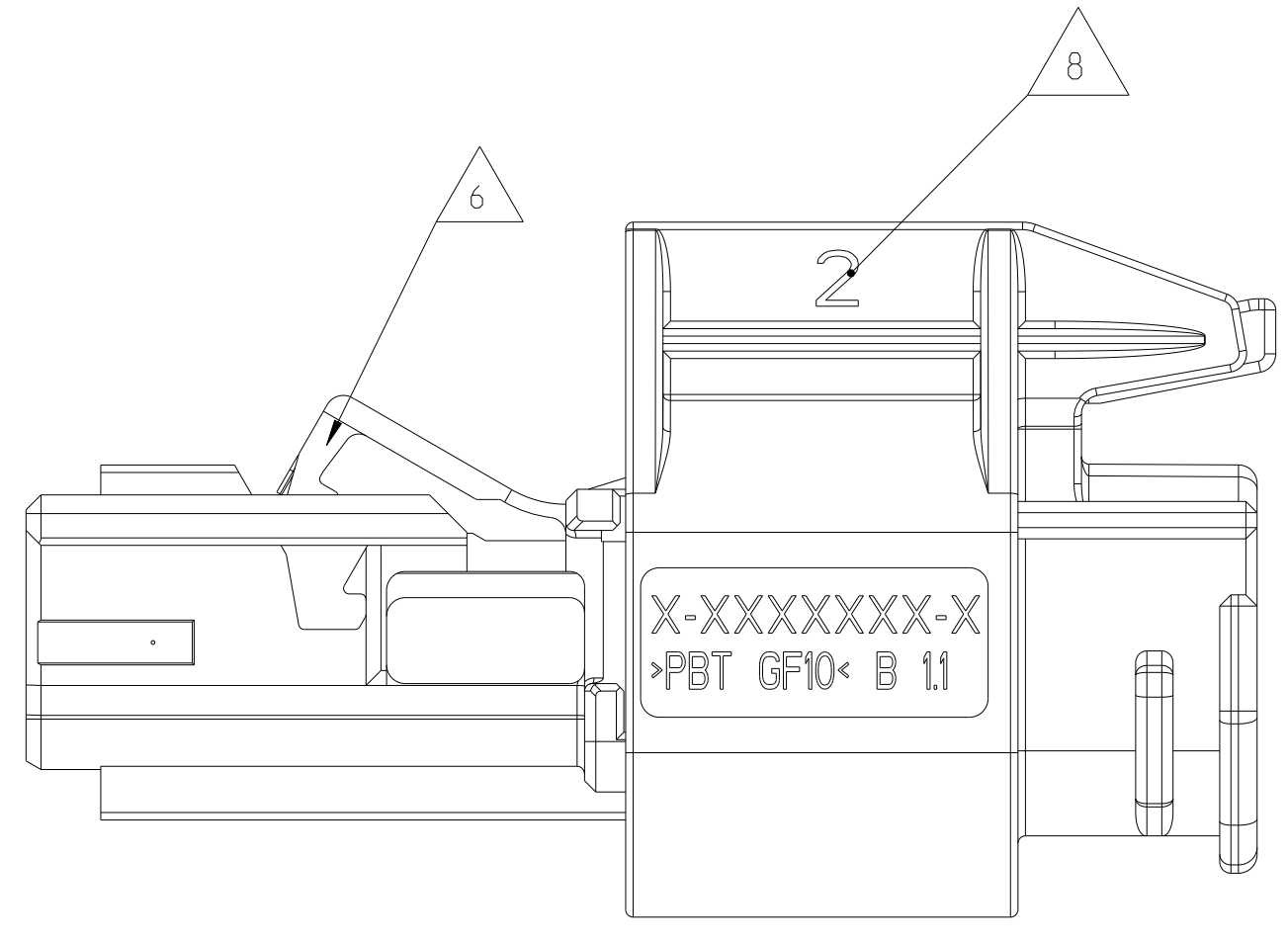
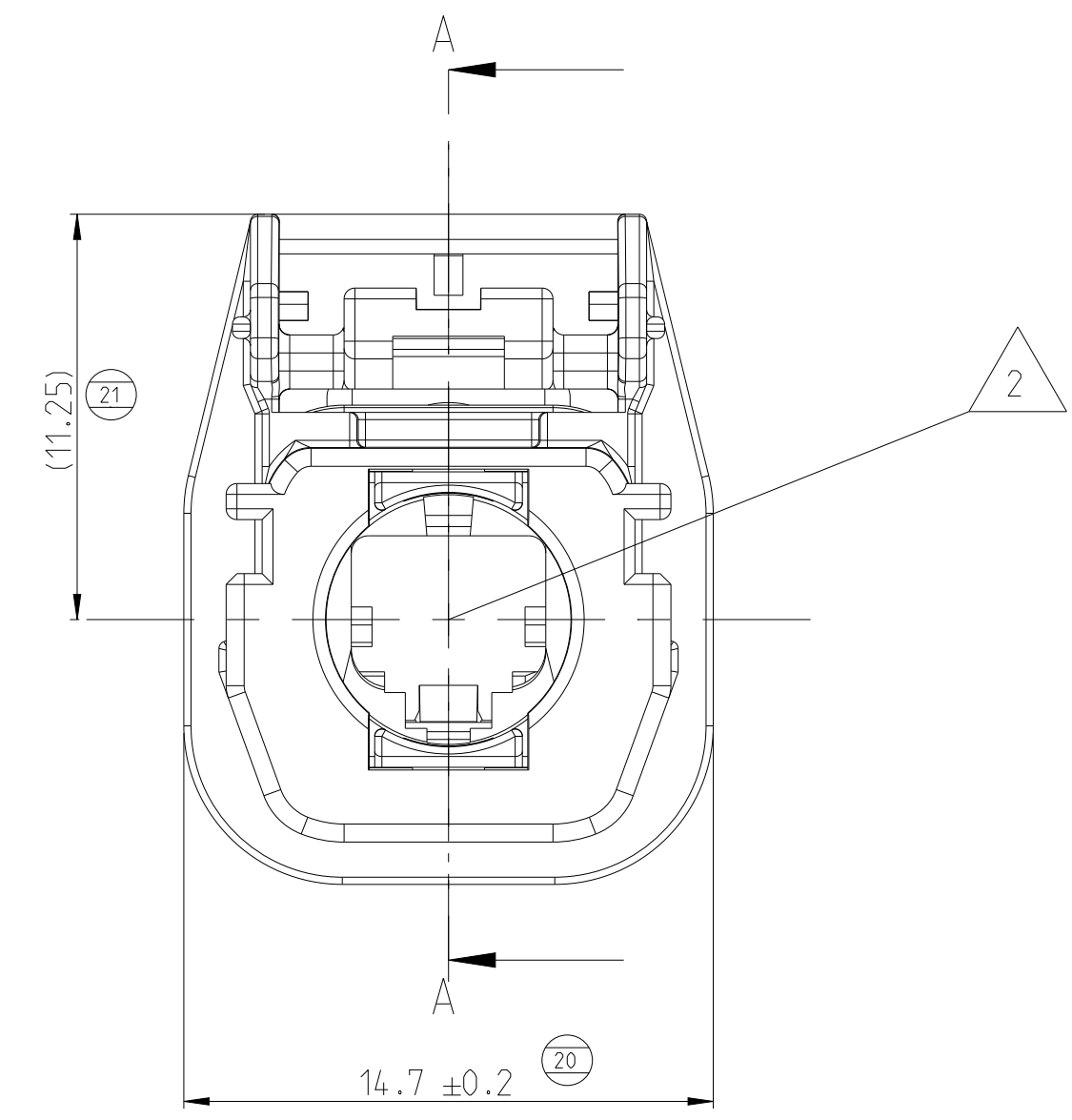
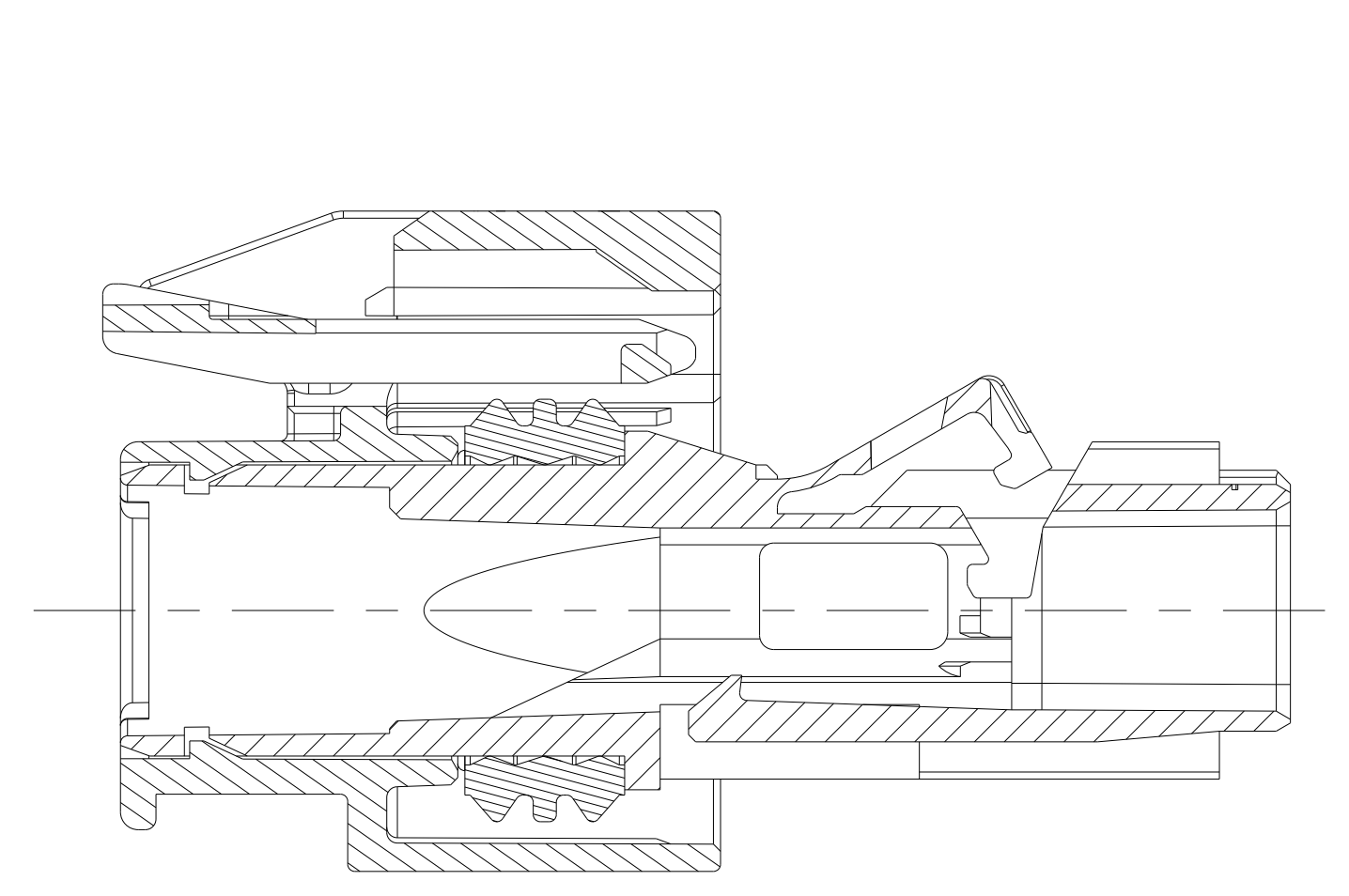
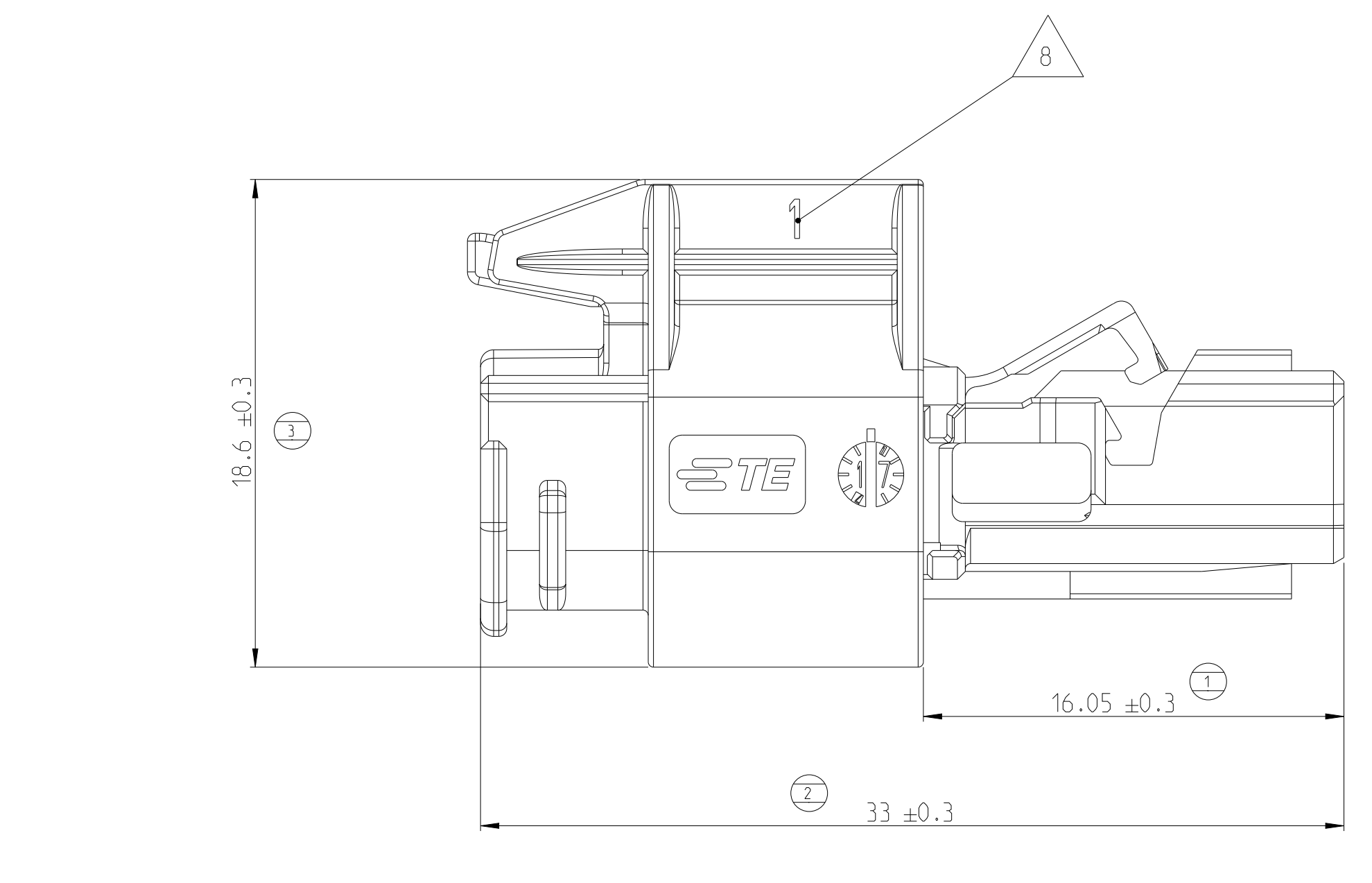


REVISIONS				
REV.	LTW	DESCRIPTION	DATE	APPV
B1		ADD SERIAL VERSION	27NOV2017	NS XR
B2		ADD CODING D.E AND REF WITH CPA	03SEP2018	NS XR
C		UPDATE MATERIAL PN 1802107	10DEC2018	NS XR
C1		MATERIAL CORRECTION	19022023	NS XR

Kodierung nach TE Schnittstellenzeichnung 208-18013 / CODINGS ACC. TE INTERFACE DRW. 208-18013



- Notizen / NOTES
- 1 Passend zu Stiftwanne nach TE-Schnittstellenzeichnung 208-18013
 MATING TO PINHEADER ACC. TE-INTERFACE DRAWING 208-18013
 - 2 Kammer fuer MATENet 2Pos. NanoMOS female Insert module TE PN 0-2302450-X
 CAVITY FOR MATENet 2Pos. NanoMOS FEMALE INSERT MODULE TE PN 0-2302450-X
 - 3 Bereich zum Bedrucken:
 - TE PN
 - Fertigungsdatum (YYMMDD)
 - Fertigungsstandort Code nach TE-Spez. TEC-115-24
 - Kunden PN
 AREA FOR PRINTING:
 - TE PN
 - PRODUCTION DATE (YYMMDD)
 - MANUFACTURING LOCATION CODE PER TE-SPEC. TEC-115-24
 - CUSTOMER PN
 - 4 Passendes IP PROT. COVER 1802110
 SUITABLE IP PROT. COVER 1802110
 - 5 Passende Kabeldichtung 1802112
 SUITABLE WIRE SEAL 1802112
 - 6 Anlieferungszustand: 2. Kontaktsicherung geöffnet
 DELIVERY CONDITION: RETAINER IN OPEN POSITION
 - 7 Verpackung: Schutzgut im Beutel im Karton
 PACKAGING: LOOSE PIECES IN BAG IN BOX
 - 8 Kontaktkammernummer
 CONTACT CAVITY NUMBER



SEALED COMPONENT

ITEM	QTY	CODE	DESCRIPTION	MATERIAL	COLOR	WEIGHT [g]	REC HSG ASSY-MATENet Sealed 1Port							REC HSG ASSY-MATENet Sealed 1Port with CPA (B2)					CODING						
							A	B	C	D	E	J	Z	A	B	C	D	E		J	Z				
							1802105-1	1802105-2	1802105-3	1802105-4	1802105-5	1802105-7	1802105-9	2-1802105-1	2-1802105-2	2-1802105-3	2-1802105-4	2-1802105-5		2-1802105-7	2-1802105-9				
4	1	-	CPA	PA46-GF15	Red 3003	0.202																			
3	1	-	SEAL PROTECTION COVER MATENet Sealed 1-Port	PBT-GF10	black 9011	1.29		X																	
2	1	-	RADIAL SEAL MATENet Sealed 1-Port	SILICON (C1)	Green 6010	0.232		X																	
1	1	Z	Inner HSG, Code Z MATENet Sealed 1-Port		water-blue 5021						X														X
1	1	J	Inner HSG, Code J MATENet Sealed 1-Port		beige 1001						X														X
1	1	E	Inner HSG, Code E MATENet Sealed 1-Port		green 6002					X															X
1	1	D	Inner HSG, Code D MATENet Sealed 1-Port	PBT-GF10	violet 4004				X						X										X
1	1	C	Inner HSG, Code C MATENet Sealed 1-Port		blue 5012					X											X				X
1	1	B	Inner HSG, Code B MATENet Sealed 1-Port		white 9010			X								X									X
1	1	A	Inner HSG, Code A MATENet Sealed 1-Port		black 9011		X										X								X

FOR SERIE C-SAMPLE ONLY
 NUR FUER C-MUSTER

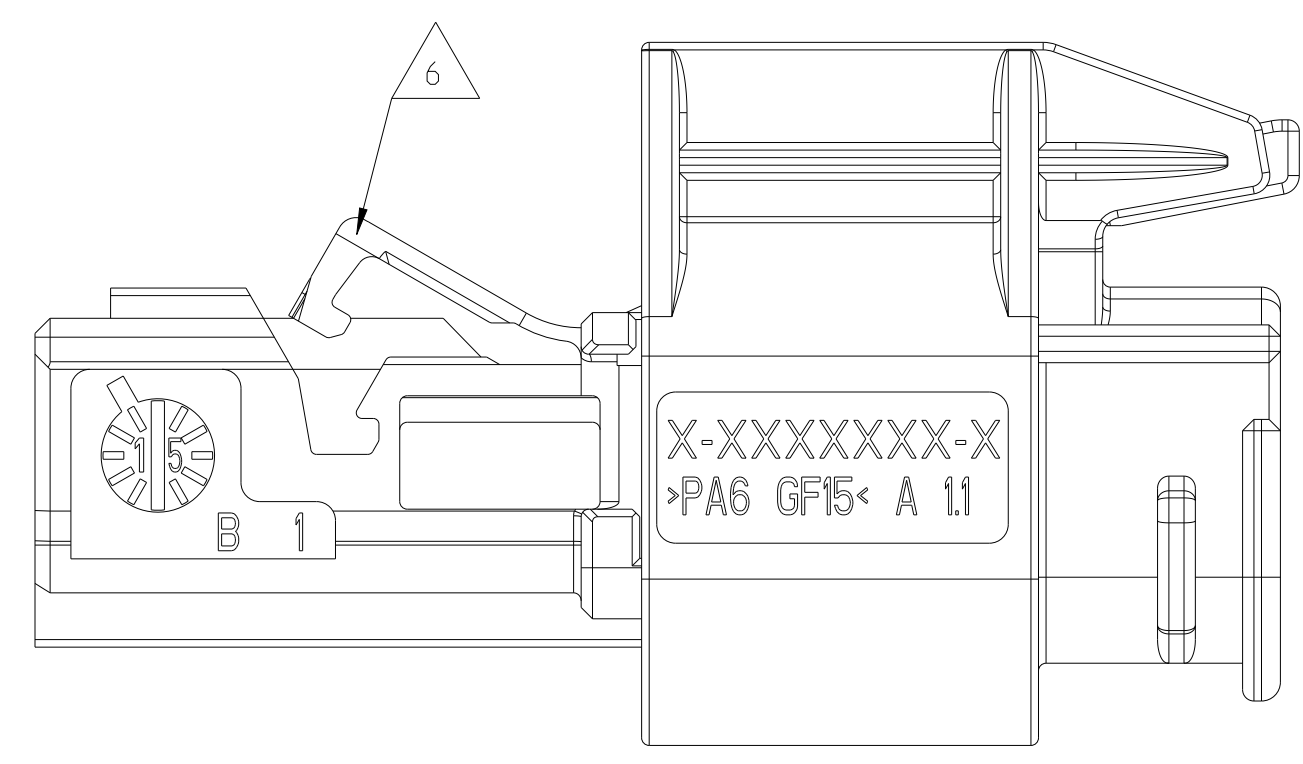
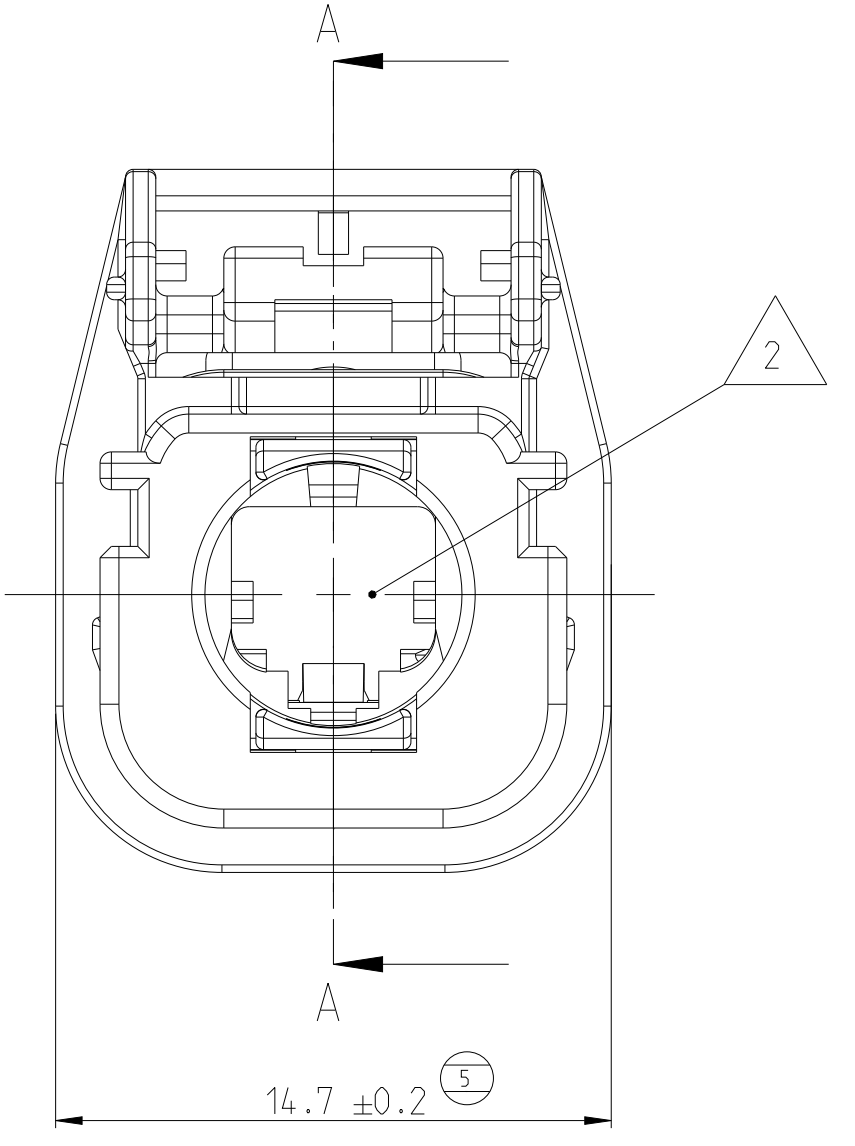
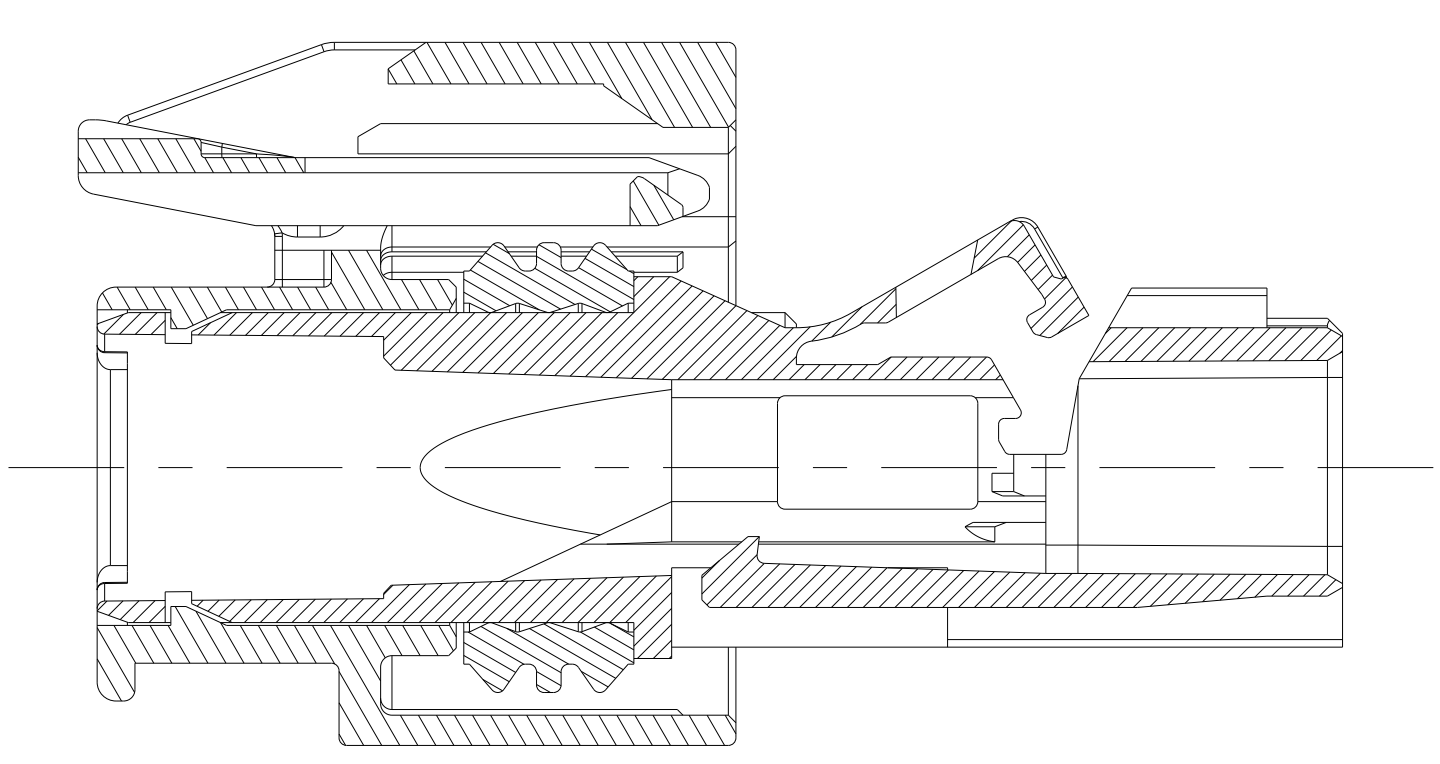
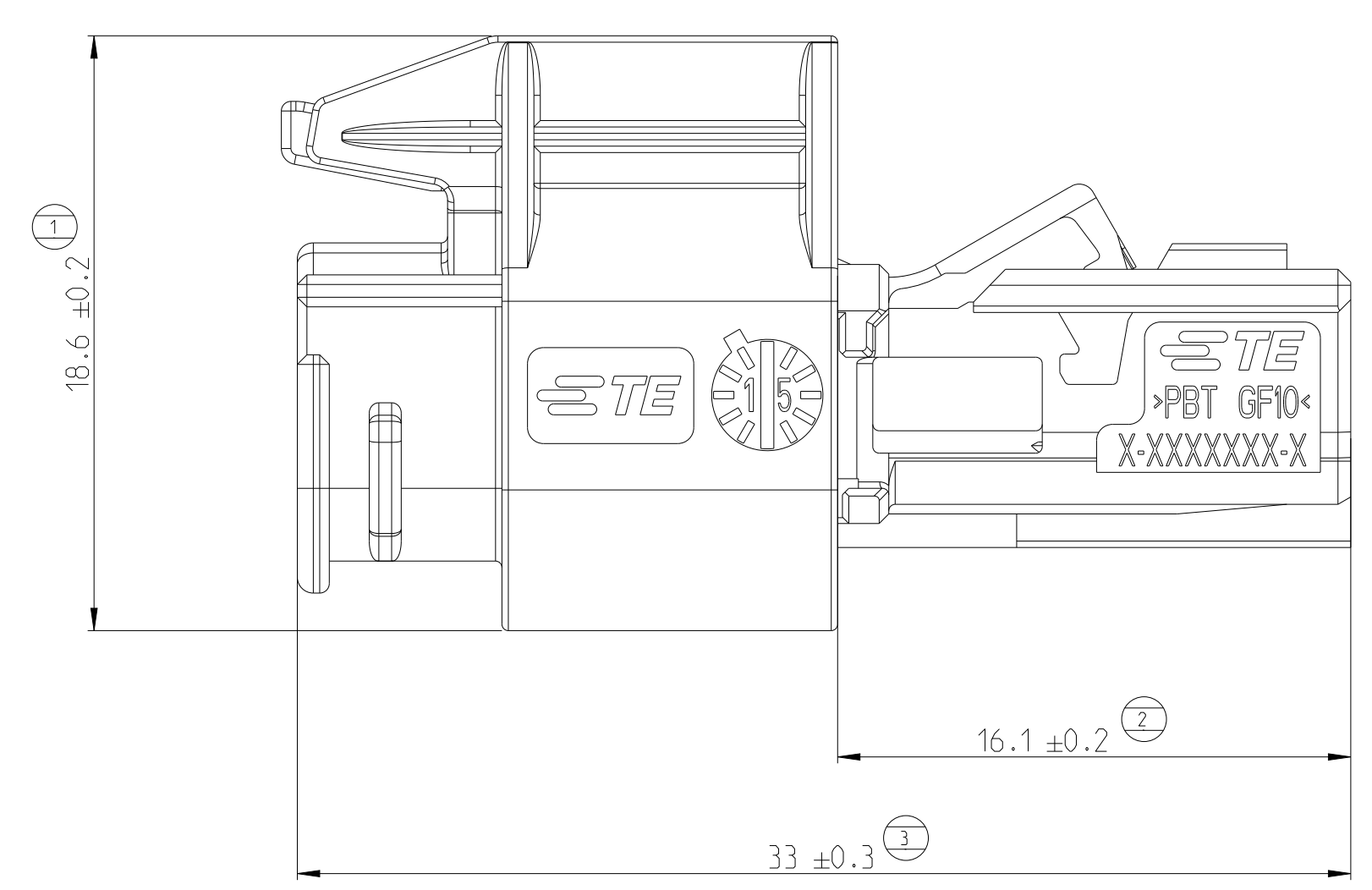
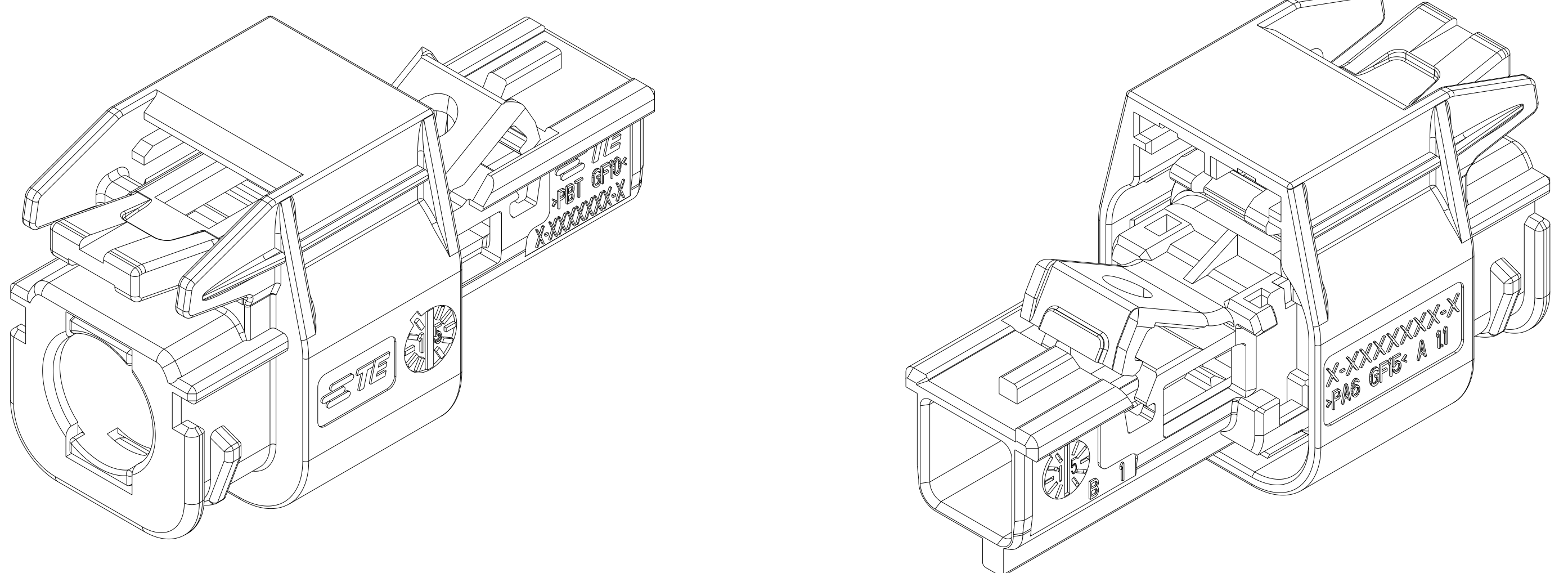
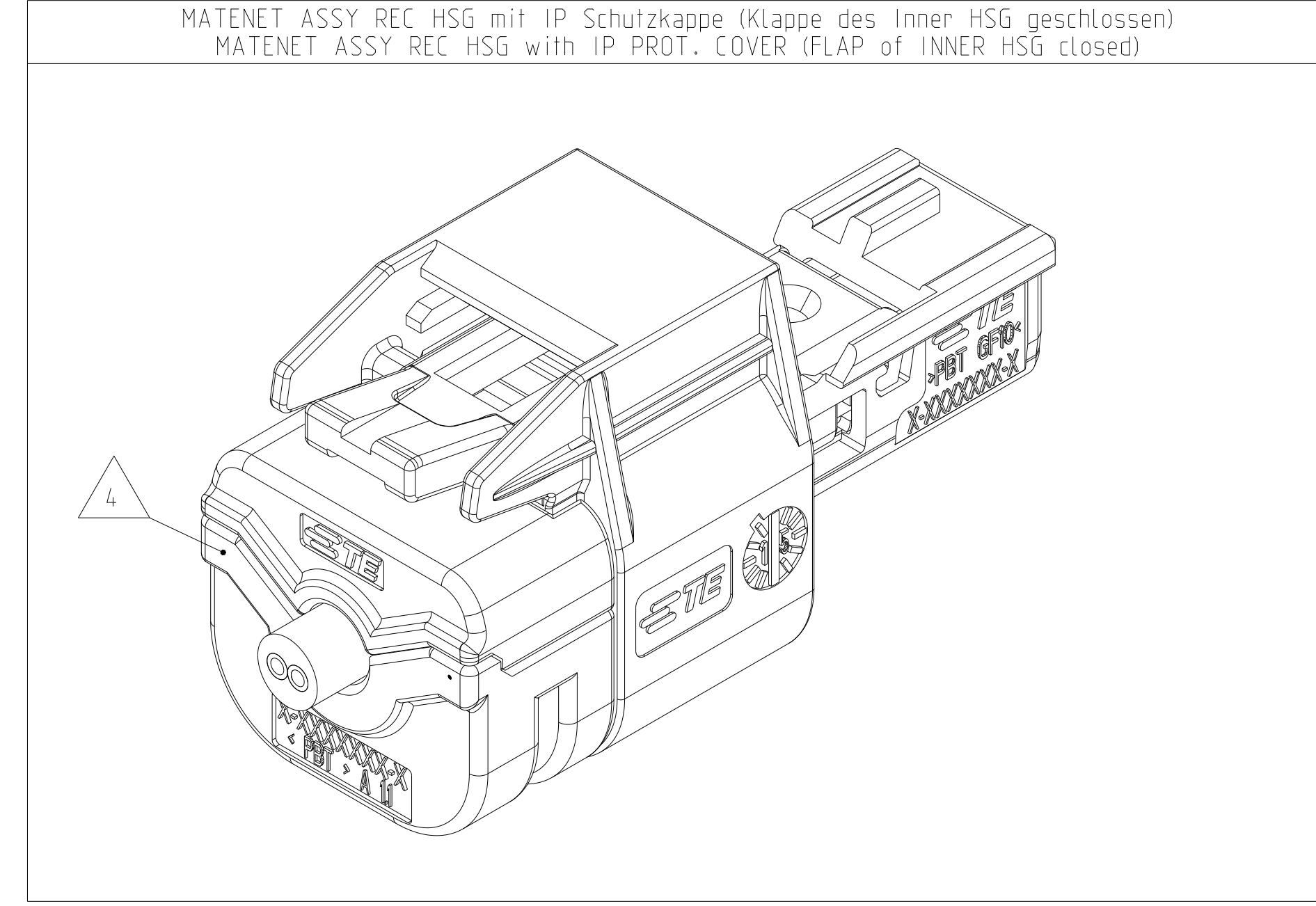
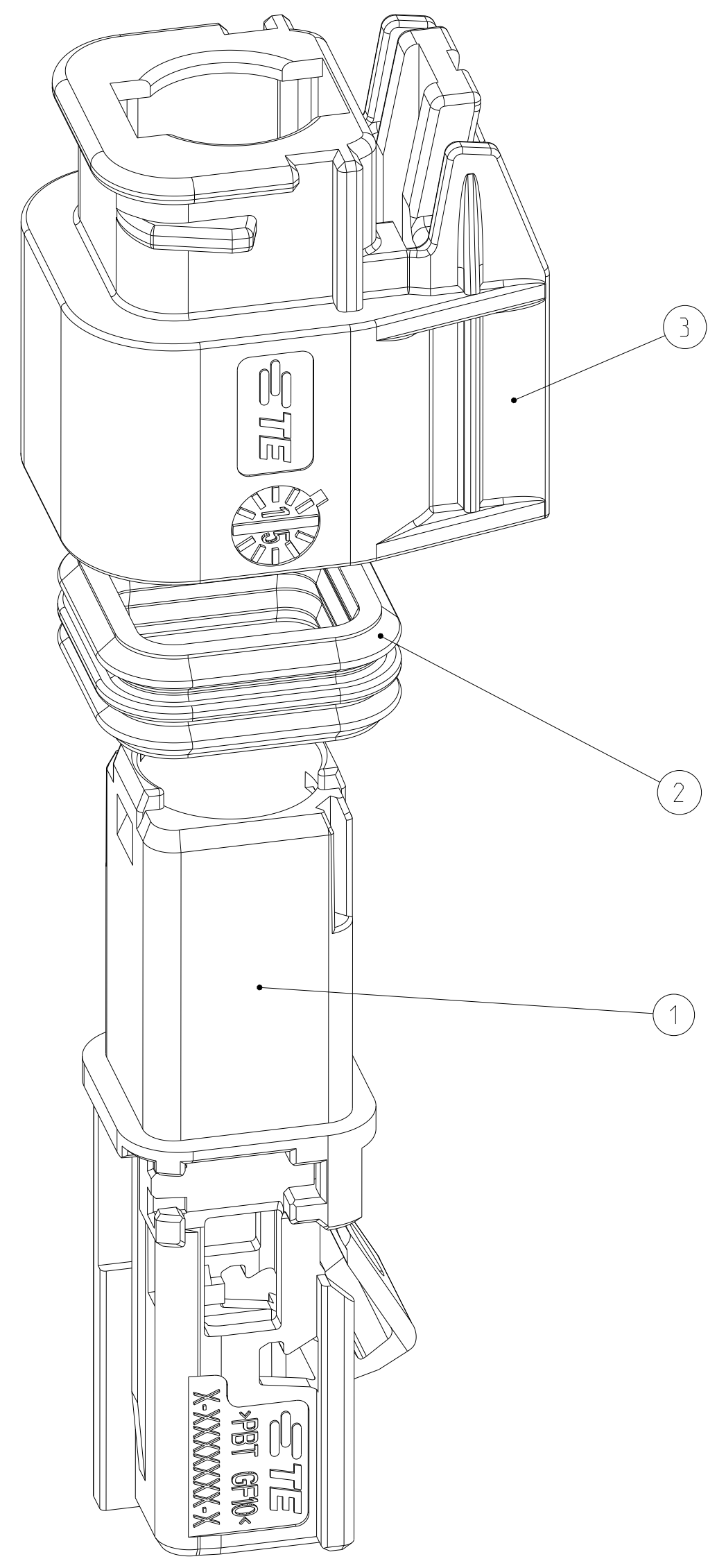
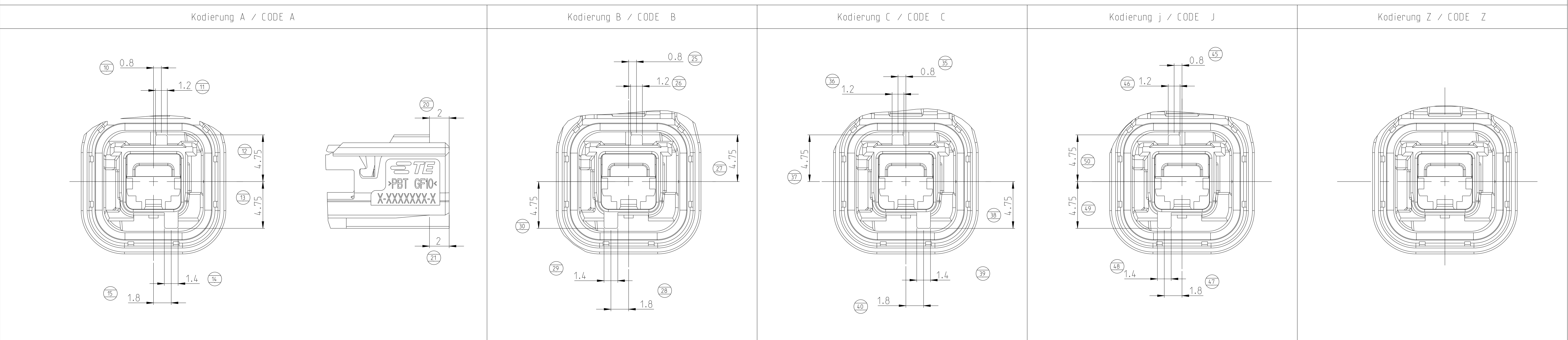
THIS DRAWING IS A CONTROLLED DOCUMENT. DAN SIMON 16SEP2016
 DIMENSIONS: 1/8" INCHES UNLESS OTHERWISE SPECIFIED. CH ROULLARD 16SEP2016
 MATERIAL: 0 P L C 80-2 2 P L C 80-1 2 P L C 80-05 2 P L C 80-05
 FINISH: ANGLE: APPLICATION SPEC 114-94431 WEIGHT: 2.6gr
 CUSTOMER DRAWING

REC HSG ASSY MATENet Sealed 1-Port
 00779 C=1802105

SCALE: 5:1 SHEET 1 of 2

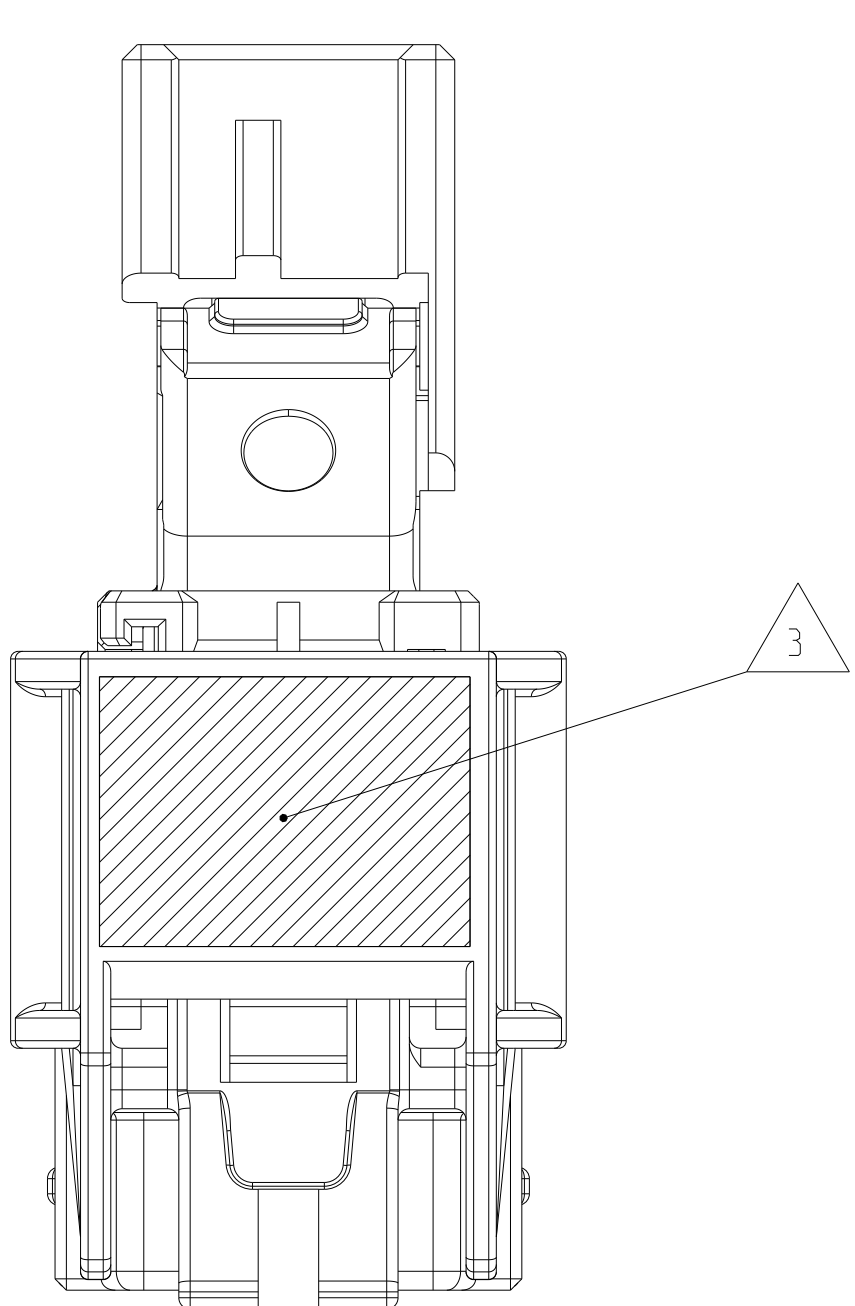
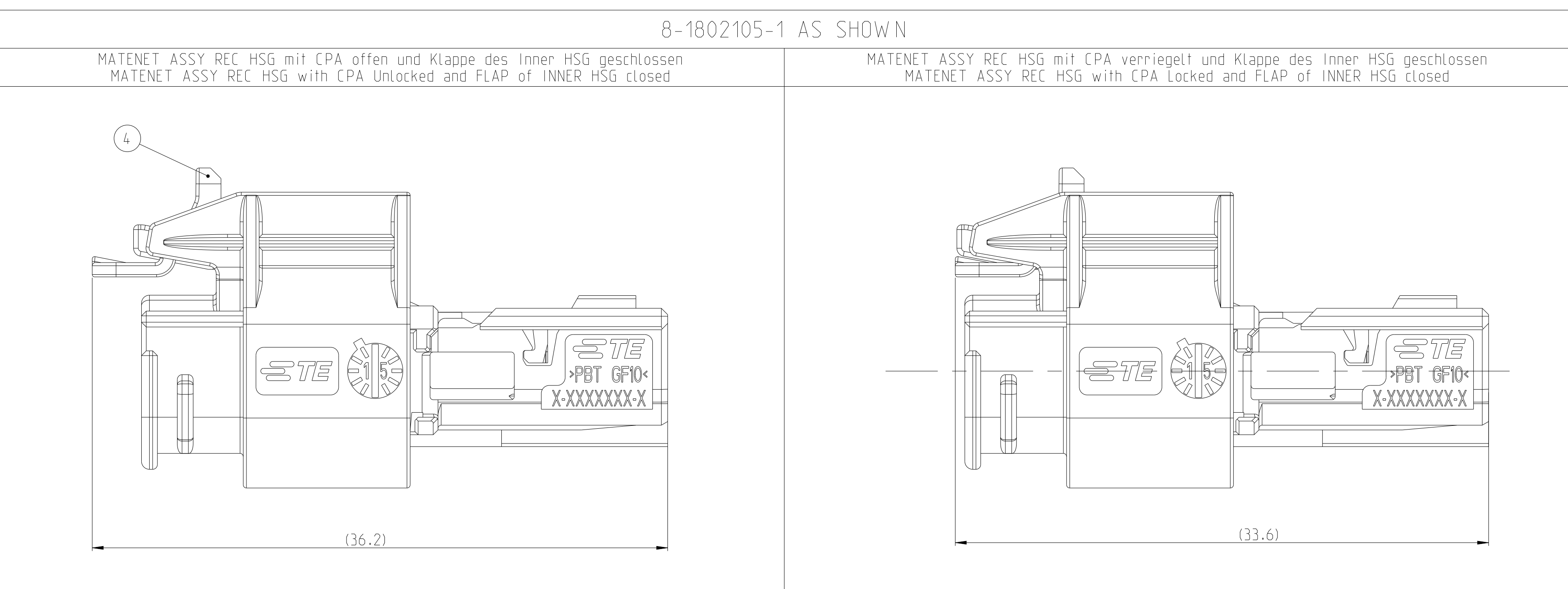
Kodierung nach TE Schnittstellenzeichnung 208-18013 / CODINGS ACC. TE INTERFACE DRW. 208-18013

REVISIONS			
NO.	DATE	DESCRIPTION	BY
1	-	SEE SHEET 1	-



Notizen / NOTES

- 1 Passend zu Stiftwanne nach TE-Schnittstellenzeichnung 208-18013 MATING TO PINHEADER ACC. TE-INTERFACE DRAWING 208-18013
- 2 Kammer fuer MATenet 2Pos. NanoMQS female Insert module TE PN 9-2302450-X CAVITY FOR MATenet 2Pos. NanoMQS FEMALE INSERT MODULE TE PN 9-2302450-X
- 3 Bereich zum Bedrucken, TE PN, Produktionsdatum, Kunden PN AREA FOR PRINTING, TE PN, DATE CODE, CUSTOMER PN
- 4 Passendes IP PROT. COVER 1802110 SUITABLE IP PROT. COVER 1802110
- 5 Passende Kabeldichtung 1802112 SUITABLE WIRE SEAL 1802112
- 6 Anlieferzustand: 2. Kontaktsicherung geöffnet DELIVERY CONDITION: RETAINER IN OPEN POSITION
- 7 Verpackung: Schuetthut im Beutel im Karton PACKAGING: LOOSE PIECES IN BAG IN BOX



SEALED COMPONENT

9-1802105-1 AS SHOWN

FOR PROTOTYPE B-SAMPLE ONLY
 NUR FUER B-MUSTER

ITEM	QTY	CODE	DESCRIPTION	MATERIAL	COLOR	WEIGHT [g]	REC HSG ASSY-MATenet Sealed 1-Port										TE ASSY NUMBER	CODING				
							A	B	C	J	Z	A	B	C	J	Z						
4	1	-	CPA	PA46-GF15	Red 3003	0.202																
3	1	-	SEAL PROTECTION COVER MATenet Sealed 1-Port	PA6-GF15	black 9011	1.29						X										
2	1	-	RADIAL SEAL MATenet Sealed 1-Port	LSR	Green 6010	0.232						X										
1	1	Z	Inner HSG, Code Z MATenet Sealed 1-Port	PBT-GF10	water-blue 5021	1						X									X	
1	1	J	Inner HSG, Code J MATenet Sealed 1-Port		beige 1001							X										X
1	1	C	Inner HSG, Code C MATenet Sealed 1-Port		blue 5012					X												X
1	1	B	Inner HSG, Code B MATenet Sealed 1-Port		white 9010						X											X
1	1	A	Inner HSG, Code A MATenet Sealed 1-Port		black 9011				X													X

THIS DRAWING IS A CONTROLLED DOCUMENT. DATE: 16SEP2016. DRAWN BY: N. SIMON. CHECKED BY: X. ROULLIARD. APPROVED BY: C. SCHREITLINER. DIMENSIONS: 0 PLC 80.2, 1 PLC 80.1, 2 PLC 80.05, 3 PLC 80.05, 4 PLC 80.05. MATERIAL: FINISH: APPLICATION SPEC: 114-94431. WEIGHT: 2.6gr. CUSTOMER DRAWING: A000779. SCALE: 5:1. SHEET: 2 of 2. REV: C1.

STE TE Connectivity
 REC HSG ASSY MATenet Sealed 1-Port