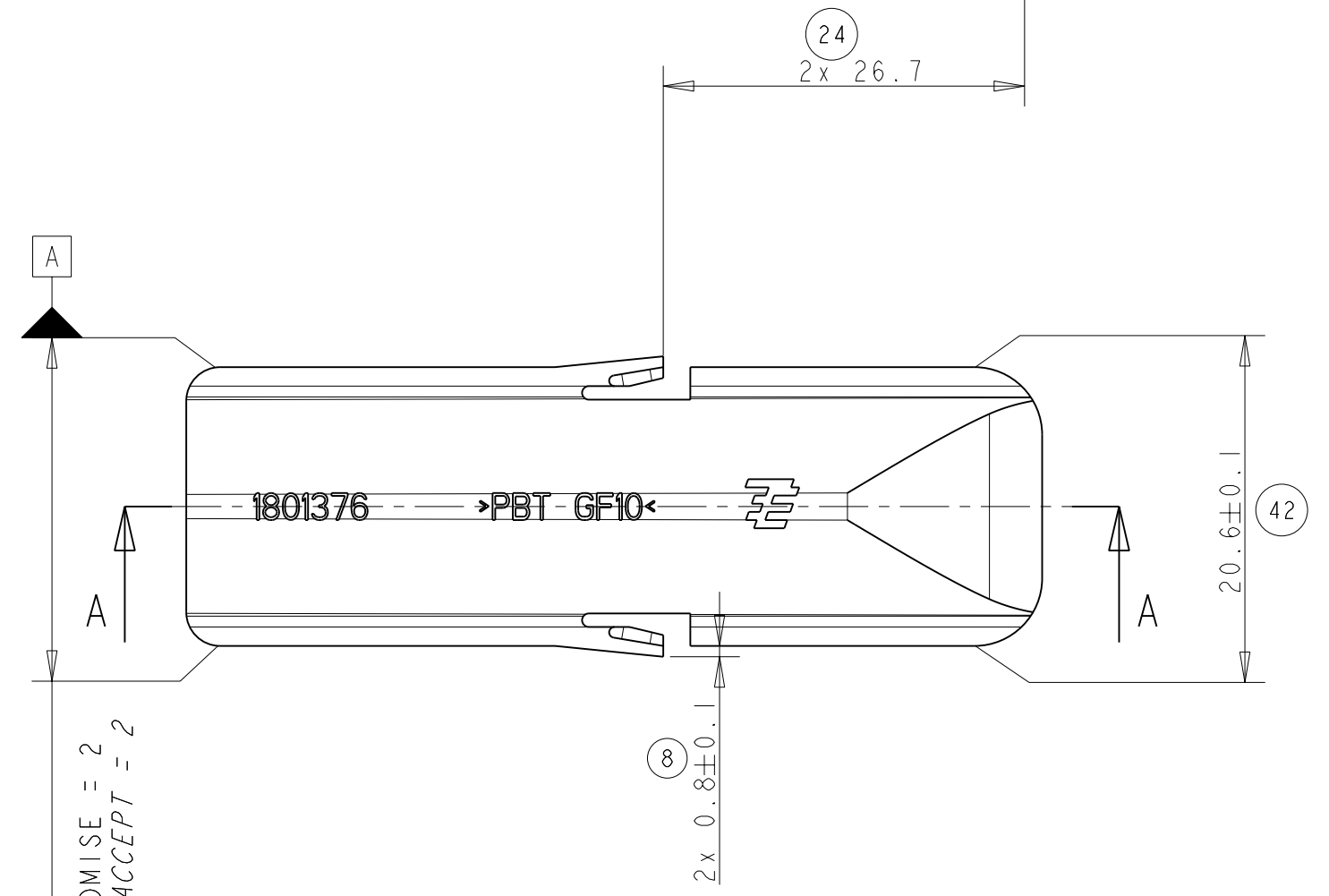
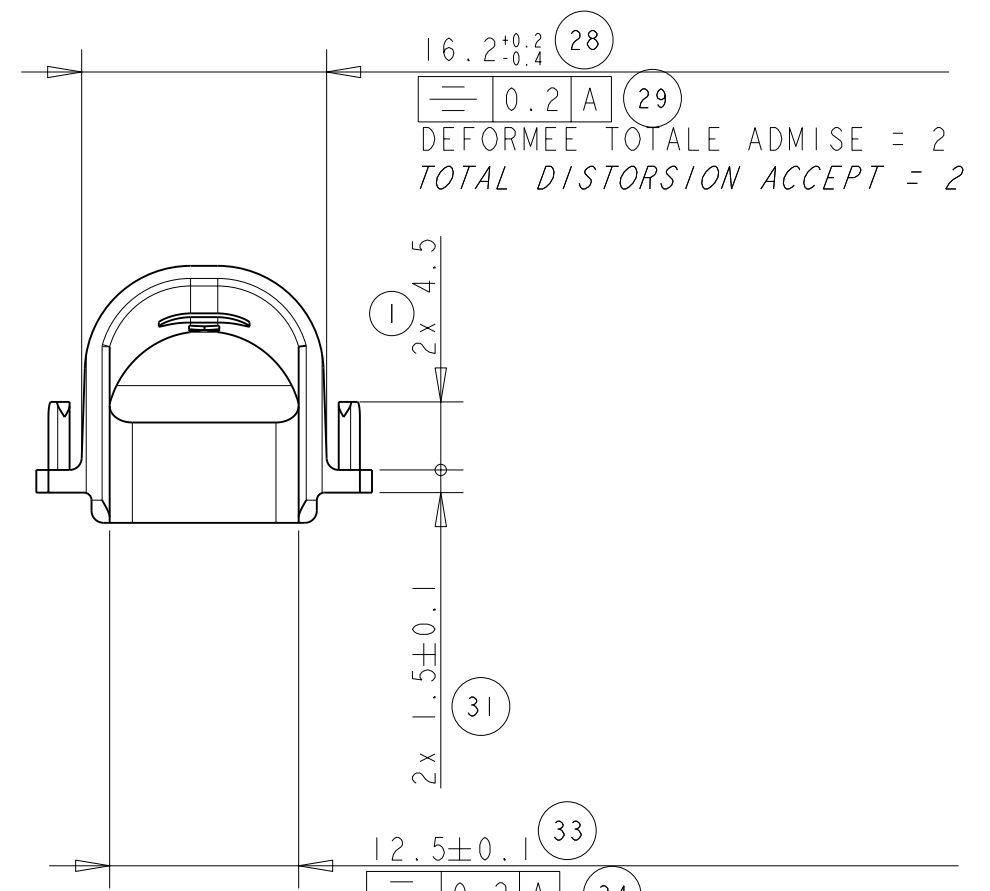
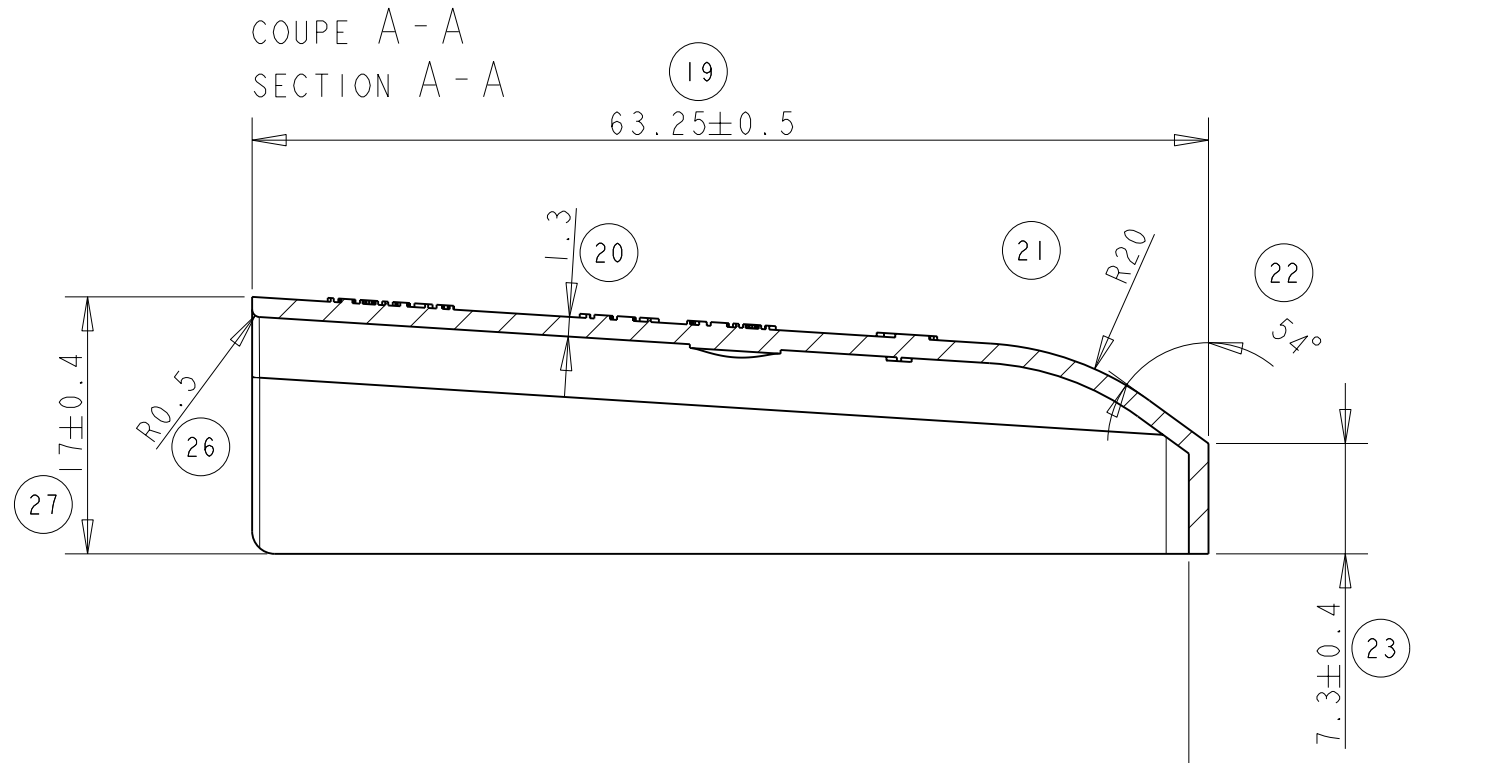


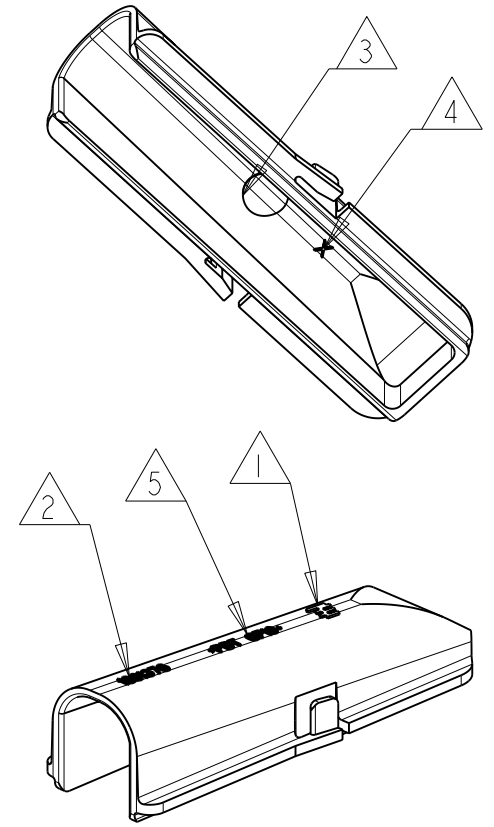
THIS DRAWING IS UNPUBLISHED. RELEASED FOR PUBLICATION 20
 © COPYRIGHT 20 BY TYCO ELECTRONICS CORPORATION. ALL RIGHTS RESERVED.

LOC	DIST	REVISIONS			
P	LTR	DESCRIPTION	DATE	DWN	APVD
F	00	B	05FEB2008	SG	JL
		C	18SEP2009	SG	JL



DEFORMEE TOTALE ADMISE = 2
 TOTAL DISTORSION ACCEPT = 2

- 1 TYCO/electronics DEPTH 0.25
- 2 ROOT NUMBER TYCO/electronics, DEPTH 0.25
- 3 MOLDING DATE DEPTH 0.25
- 4 MOLD CAVITY DEPTH 0.25
- 5 MATERIAL DESIGNATION DEPTH 0.25
- 6 MATERIAL: >PBT GF10<
- 7 PACKAGING SPECIFICATION: 107-15621



20.6±0.1 (38)
 DEFORMEE TOTALE ADMISE = 2
 TOTAL DISTORSION ACCEPT = 2

● CAPABILITIES DIMENSIONS

S'ASSEMBLE AVEC MATED WITH 1544551

PN 1801376-1 AS SHOWN

THIS DRAWING IS A CONTROLLED DOCUMENT FOR TYCO ELECTRONICS CORPORATION IT IS SUBJECT TO CHANGE AND THE CONTROLLING ENGINEERING ORGANIZATION SHOULD BE CONTACTED FOR THE LATEST REVISION.		DWN S. GALLERAND 13DEC2007 CHK J. LALANGE 13DEC2007 APVD JJ. REVIL 13DEC2007	Tyco Electronics France SAS 95300 Pontoise, France
DIMENSIONS: mm TOLERANCES UNLESS OTHERWISE SPECIFIED: 0 PLC ± 1 PLC ±0.2 2 PLC ± 3 PLC ± 4 PLC ± ANGLES ±2° FINISH	PRODUCT SPEC APPLICATION SPEC 411-15658 WEIGHT CUSTOMER DRAWING	NAME CAPOT POUR CONNECTEUR 5V NG1 COVER HOUSING, 5 POS, NG1	SIZE A2 CAGE CODE 00779 DRAWING NO C-1801376 RESTRICTED TO
		SCALE 2:1	SHEET 1 OF 1 REV C