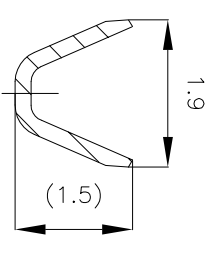
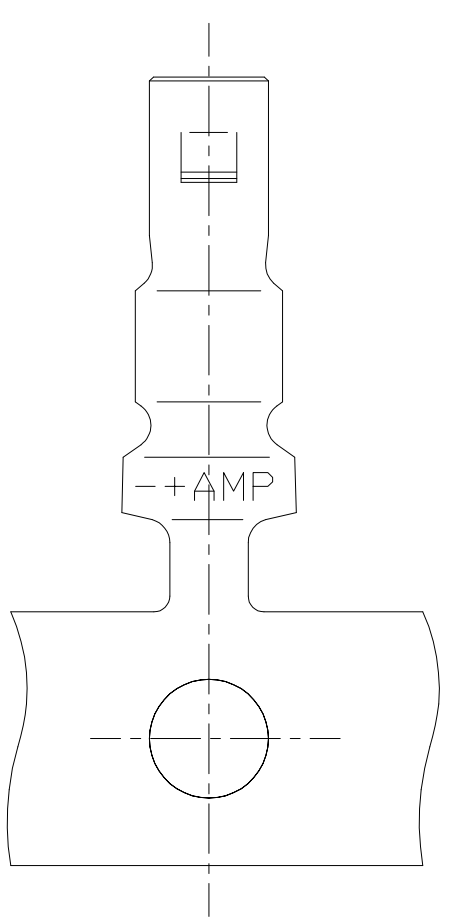
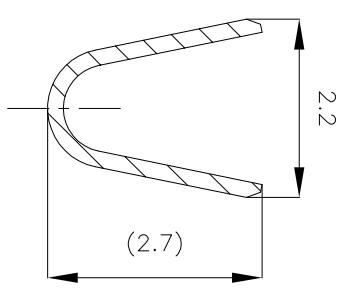


SECT "C"-"C"
 SCALE 20-1



SECT "A"-"A"



SECT "B"-"B"

NOTES:
 1. USE HOUSING: P/N 179228

LOC	DIST	REVISIONS		DATE	DMN	APPD
ES	00	P	LTR			
	B4	REVISED PER ECR-14-003219		10OCT14	T.Q	W.H

GOLD PLT COPPER ALLOY (0.2t)	179227-4
PRE TINNED COPPER ALLOY (0.2t)	179227-1
MATERIAL & FINISH	PART NO.

DMN: T. FURUYA 12NOV93
 CHK: S. KUBOUCHI 15NOV93
 APD: S. KUBOUCHI 15NOV93
 PRODUCT SPEC: 108-60029
 APPLICATION SPEC: 114-5179

STE TE Connectivity
 CRIMP TYPE II RECEPTACLE CONTACT
 (AMP CT CONNECTOR 2mm PITCH)

GENERAL TOLERANCE
 0 < * ≤ 10: ±0.2
 10 < * ≤ 30: ±0.25
 30 < * ≤ 100: ±0.3
 ANGLES: ±3°

THIS DRAWING IS A CONTROLLED DOCUMENT.	
DIMENSIONS: mm	TOLERANCES UNLESS OTHERWISE SPECIFIED
0 P/C	±
1 P/C	±
2 P/C	±
3 P/C	±
4 P/C	±
ANGLES	±
FINISH	±

SIZE	A2	CAGE CODE	00779	DRAWING NO	179227	RESTRICTED TO
WEIGHT	CUSTOMER DRAWING					
SCALE	NTS	SHEET	1	OF	1	REV
						B4

179227