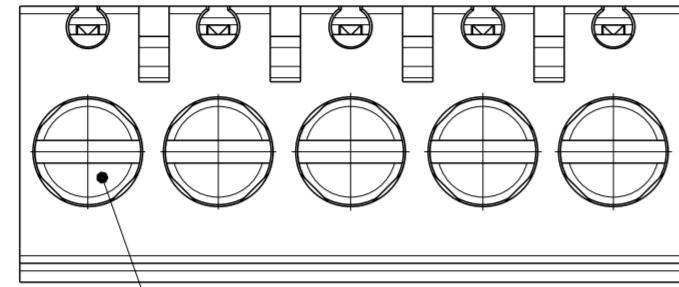


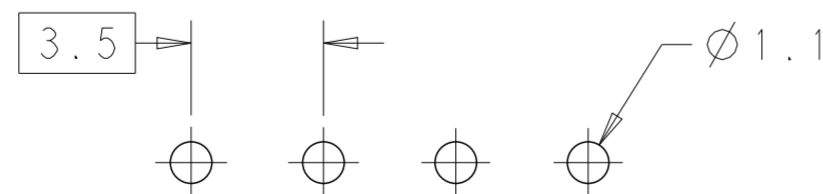
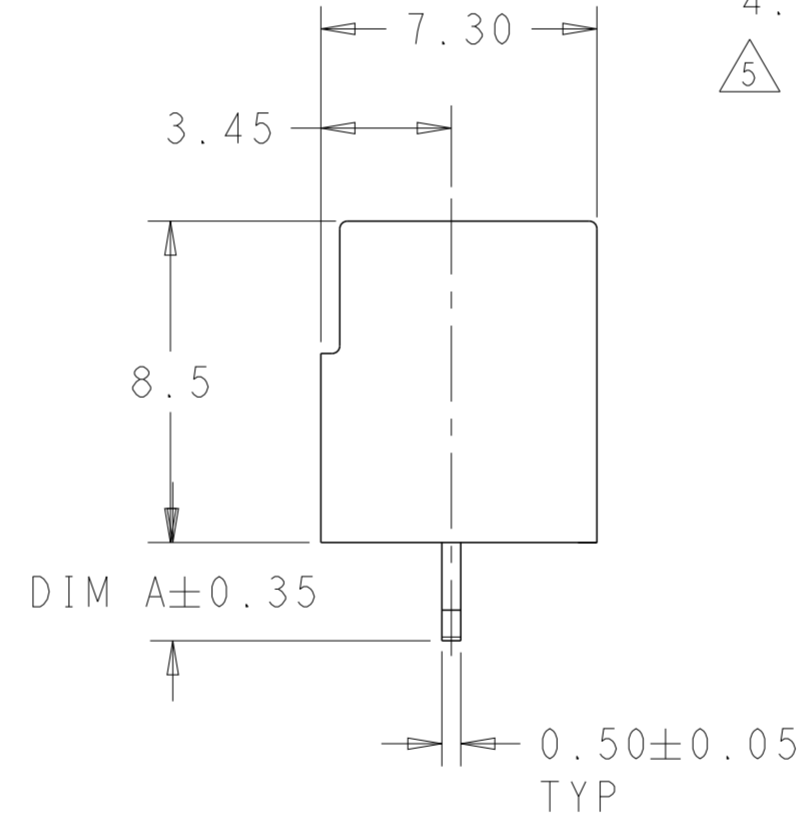
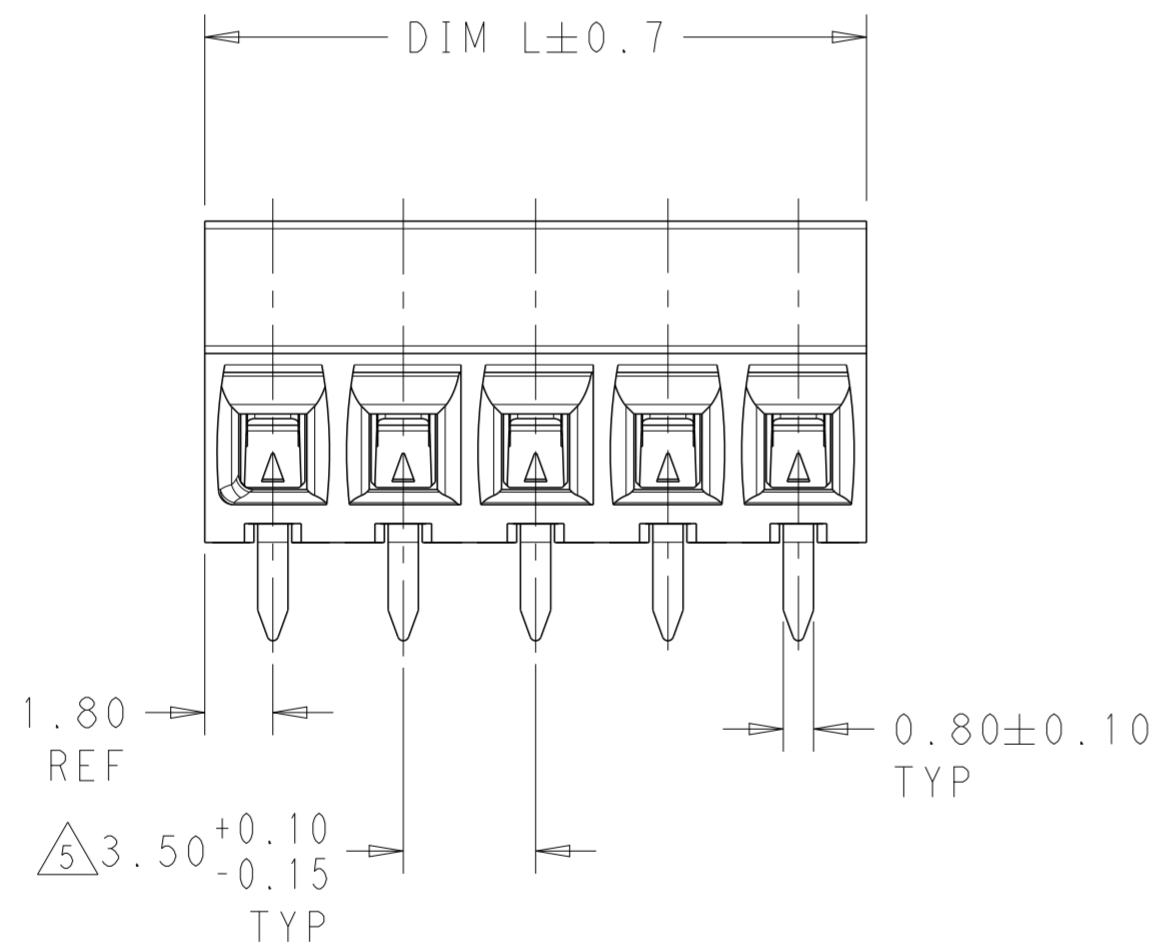
THIS DRAWING IS UNPUBLISHED. RELEASED FOR PUBLICATION 20
 © COPYRIGHT 20 BY - ALL RIGHTS RESERVED.

LOC		DIST		REVISIONS			
P	LTR	DESCRIPTION	DATE	DWN	APVD		
	P1	DRAFTING CORRECTION	22AUG2019	RK	PS		

- MATERIALS AND FINISH:
 - HOUSING : HIGH TEMPERATURE POLYAMIDE, UL 94V-0, COLOR: BLACK.
 - TERMINAL : COPPER ALLOY, TIN PLATED.
 - CLAMP : COPPER ALLOY, NICKEL PLATED.
 - CLAMPING SCREW : COPPER ALLOY, NICKEL PLATED.
- MECHANICAL
 - WIRE STRIPPING LENGTH : 5.0-6.0 mm
 - MIN. PC BOARD HOLES DIAMETER : 1.1 mm
 - MAX. PC BOARD THICKNESS : 2.4 mm
 - RECOMMENDED TIGHTENING TORQUE FOR SCREW : 0.2 Nm.
- ELECTRICAL
 - WIRE RANGE : 16-28 AWG
 - RATED VOLTAGE : 300 V
 - RATED CURRENT : 12 A
 - CONTACT RESISTANCE : <15 m Ohm
 - INSULATION RESISTANCE : >1000 M Ohm (500V DC)



CLAMPING SCREW



RECOMMENDED PC BOARD LAYOUT

- OPERATING TEMPERATURE RANGE: -40°C TO +105°C
- △ TOLERANCE NOT CUMULATIVE.

3.50	14.00	4	2-1776112-4
3.50	10.50	3	2-1776112-3
3.50	7.00	2	2-1776112-2
2.60	14.00	4	1776112-4
2.60	10.50	3	1776112-3
2.60	7.00	2	1776112-2
DIM A	DIM L	NO OF POS	PART NUMBER

THIS DRAWING IS A CONTROLLED DOCUMENT.

DWN: S. SCHLEGEL 19 JAN 2010
 CHK: C. RICHARD 19 JAN 2010
 APVD: C. RICHARD 19 JAN 2010

STE TE Connectivity

NAME: TERMINAL BLOCK, PCB MOUNT, STRAIGHT, 8.5mm PROFILE, SIDE WIRE ENTRY, 3.5mm PITCH

SIZE: A2 CAGE CODE: 00779 DRAWING NO: C-1776112 RESTRICTED TO: -

MATERIAL: SEE NOTES TOLERANCES UNLESS OTHERWISE SPECIFIED: SEE NOTES

0 PLC ±
 1 PLC ±0.3
 2 PLC ±0.25
 3 PLC ±
 4 PLC ±
 ANGLES ±
 FINISH ±

WEIGHT: -

CUSTOMER DRAWING SCALE: 5:1 SHEET 1 OF 1 REV: P1