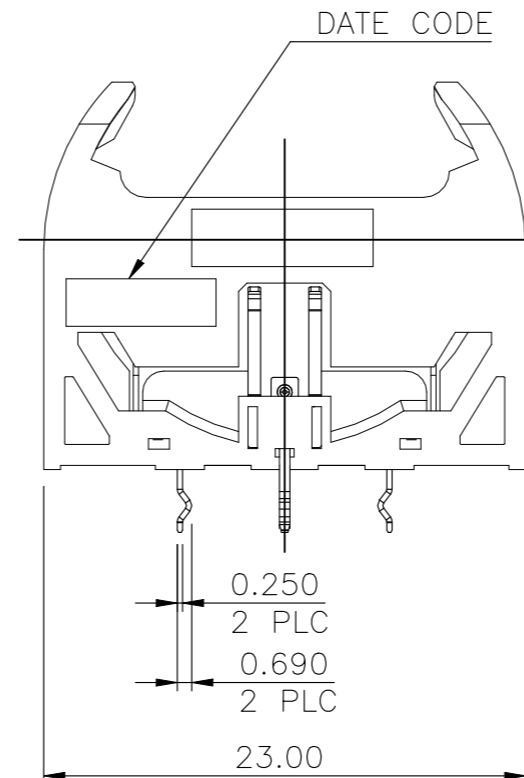
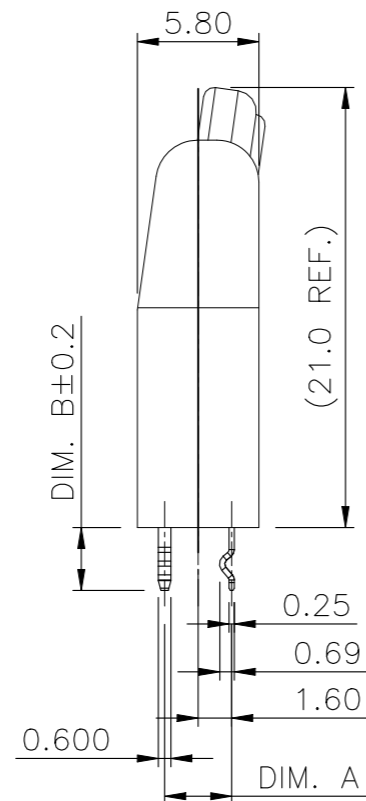
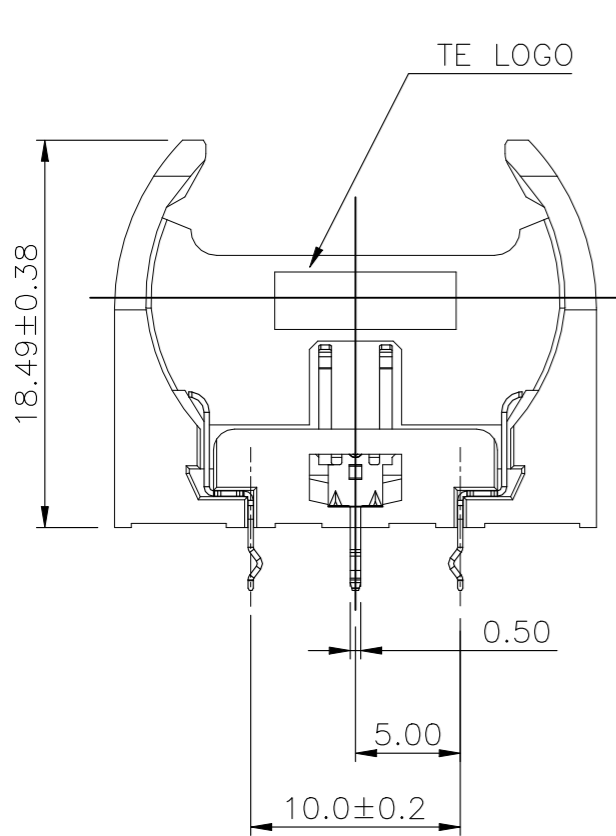
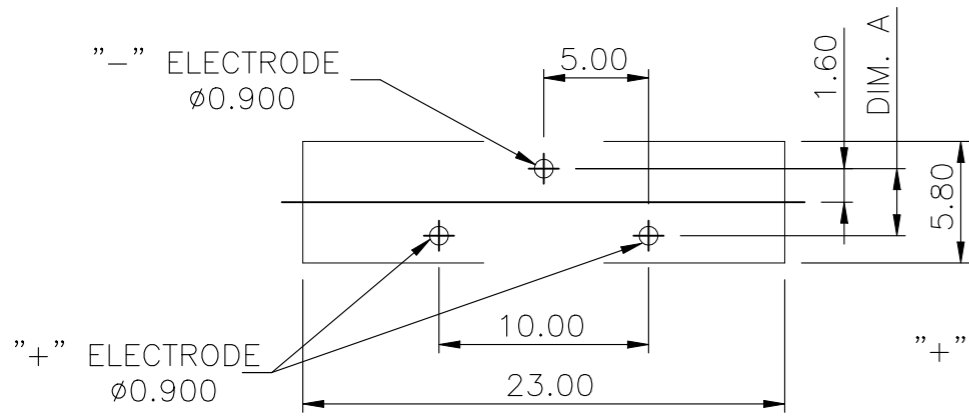
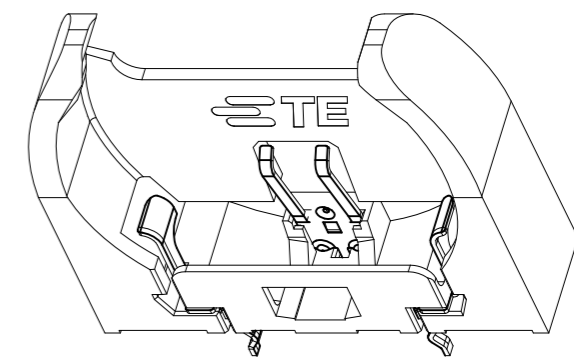


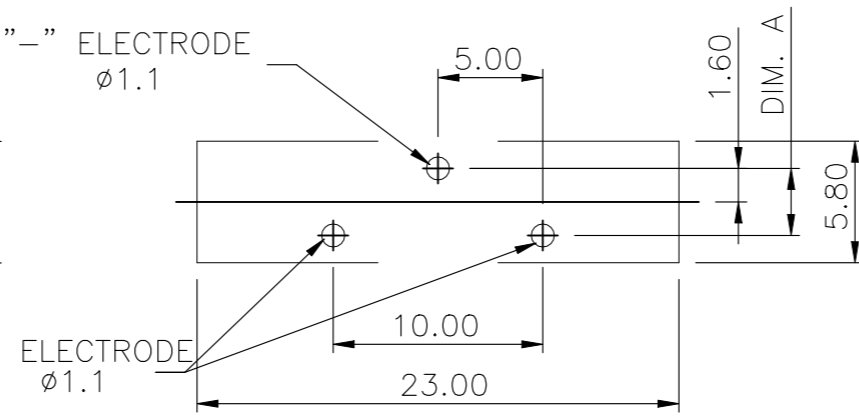
| P | LTR | DESCRIPTION | DATE | DWN | APVD |
|---|-----|-----------------------------|-----------|-----|------|
| | B5 | REVISED AS PER ECN-24277759 | 24MAR2022 | J.J | N.S |



- NOTES :
- MATERIAL :
 - HOUSING: MATERIAL AND COLOR: SEE TABLE, UL94 V-0
 - CONTACT: STAINLESS STEEL
 - FINISH : CONTACT
 - GOLD FLASH PLATING ON CONTACT AREA, 2.54um [100u"] MIN. MATTE-TIN PLATING ON SOLDERING AREA. 0.76um [30u"] MIN. NICKEL UNDERPLATING OVERALL.
 - GOLD PLATING 0.125um [5u"] MIN.ON CONTACT AREA, 2.54um [100u"] MIN. MATTE-TIN PLATING ON SOLDERING AREA. 1.25um [50u"] MIN. NICKEL UNDERPLATING OVERALL.
 - WAVE SOLDER CAPABLE TO 265°C PER TE SPEC. 109-202, CONDITION B.
 - RECOMMENDED PCB THICKNESS: 1.6mm
 - SUITABLE FOR BATTERY NO.: CR2032.
 - LOW PCB RETENTION FORCE.



RECOMMENDED PCB HOLE LAYOUT
PCB TOLERANCE ±0.05



RECOMMENDED PCB HOLE LAYOUT
PCB TOLERANCE ±0.05

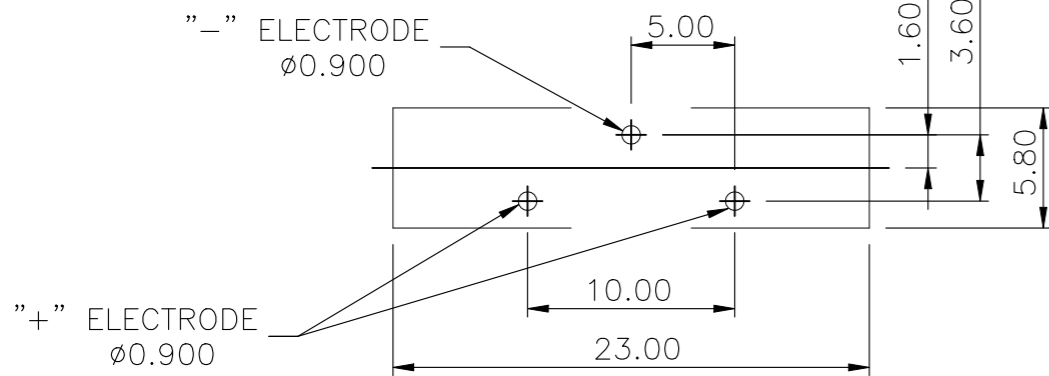
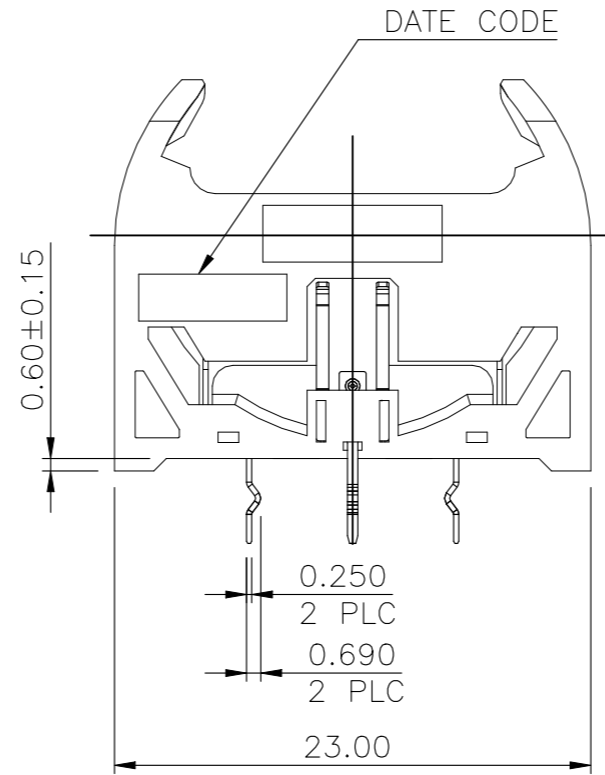
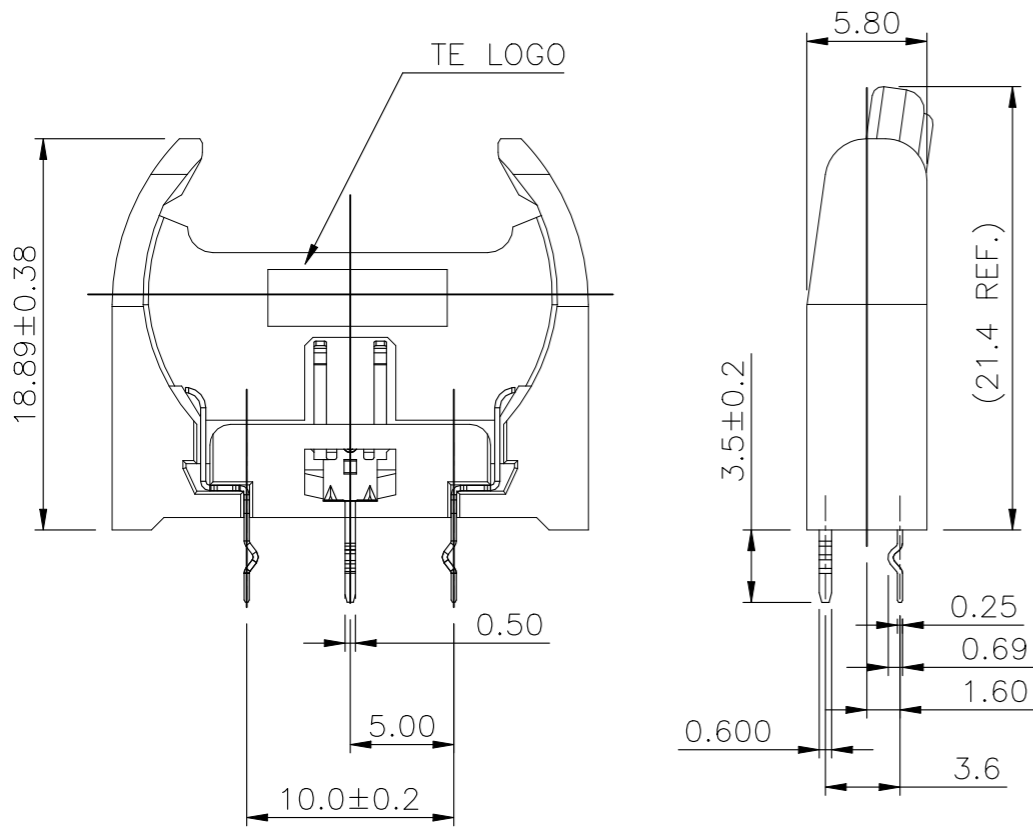
| | | | | |
|----------|--------|--------|------------------------|-------------|
| 2.1 | 3.0 mm | 3.2 mm | PA-66 & BLACK | 2-1775485-4 |
| 2.2 | 3.6 mm | 3.6 mm | PA-66 & BLACK | 1775485-5 |
| 2.1 | | | | 2-1775485-1 |
| 2.1 | 3.0 mm | 3.2 mm | PA-66 & 2718C BLUE | 1-1775485-2 |
| | | | PA-66 & BLACK | 1-1775485-1 |
| 2.1 | 3.0 mm | 3.6 mm | PA-66 & 2718C BLUE | 1775485-2 |
| 2.2 | | | PA-66 & BLACK | 1775485-4 |
| 2.1 | | | 1775485-1 | |
| FINISHED | DIM B | DIM A | HOUSING MATERIAL&COLOR | PART NO. |

| | | | | |
|---|--|-------------------------|------------------------------------|-----------------|
| THIS DRAWING IS A CONTROLLED DOCUMENT. | | DWN S. CHIEN 03JUN2008 | TE Connectivity Ltd. | |
| DIMENSIONS: mm | | CHK W.KODAMA 03JUN2008 | | |
| TOLERANCES UNLESS OTHERWISE SPECIFIED: | | APVD S. CHIEN 03JUN2008 | NAME BATTERY HOLDER, H=18.5mm, V/T | |
| 0 PLC ± - 1 PLC ± 0.38 2 PLC ± 0.25 3 PLC ± 0.15 4 PLC ± - ANGLES ± 2° | | PRODUCT SPEC 108-57542 | - | |
| MATERIAL SEE NOTE | | FINISH SEE NOTE | APPLICATION SPEC - | RESTRICTED TO - |
| | | WEIGHT 1.19 GRAMS | SIZE A3 | CAGE CODE 00779 |
| | | CUSTOMER DRAWING | DRAWING NO C-1775485 | REVISION B5 |
| | | SCALE 1:1 | SHEET 1 of 5 | REV B5 |

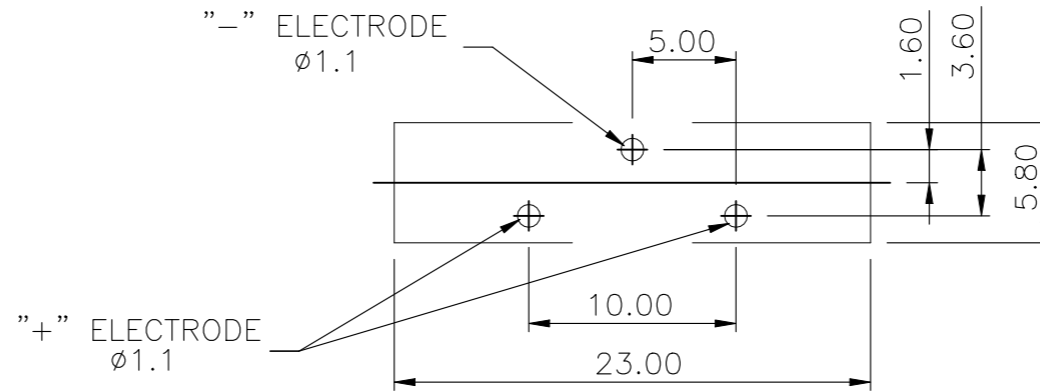
| P | LTR | DESCRIPTION | DATE | DWN | APVD |
|---|-----|-------------|------|-----|------|
| - | - | SEE SHEET 1 | - | - | - |

NOTES :

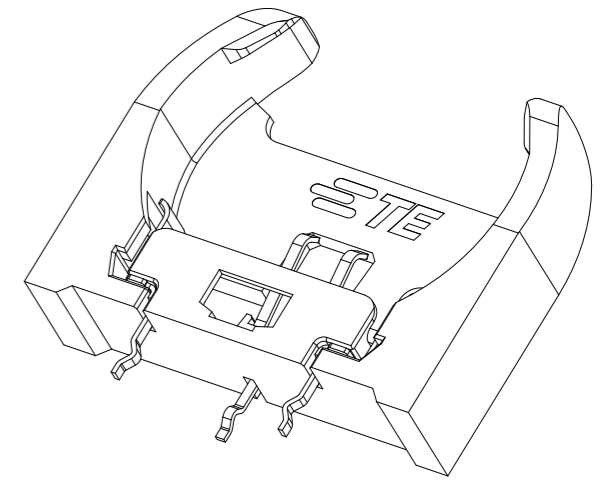
1. MATERIAL :
 - 1.1 HOUSING: UL94 V-0, PA SERIES COLOR: SEE TABLE
 - 1.2 CONTACT: STAINLESS STEEL
2. FINISH :
 - 2.1 CONTACT
 - GOLD FLASH PLATING ON CONTACT AREA,
 - 2.54um [100u"] MIN. MATTE-TIN PLATING ON SOLDERING AREA.
 - 0.76um [30u"] MIN. NICKEL UNDERPLATING OVERALL.
3. WAVE SOLDER CAPABLE TO 265°C PER TE SPEC. 109-202, CONDITION B.
4. RECOMMENDED PCB THICKNESS: 1.6mm
5. SUITABLE FOR BATTERY NO.: CR2032.
6. LOW PCB RETENTION FORCE.



RECOMMENDED PCB HOLE LAYOUT
PCB TOLERANCE ±0.05



RECOMMENDED PCB HOLE LAYOUT
PCB TOLERANCE ±0.05

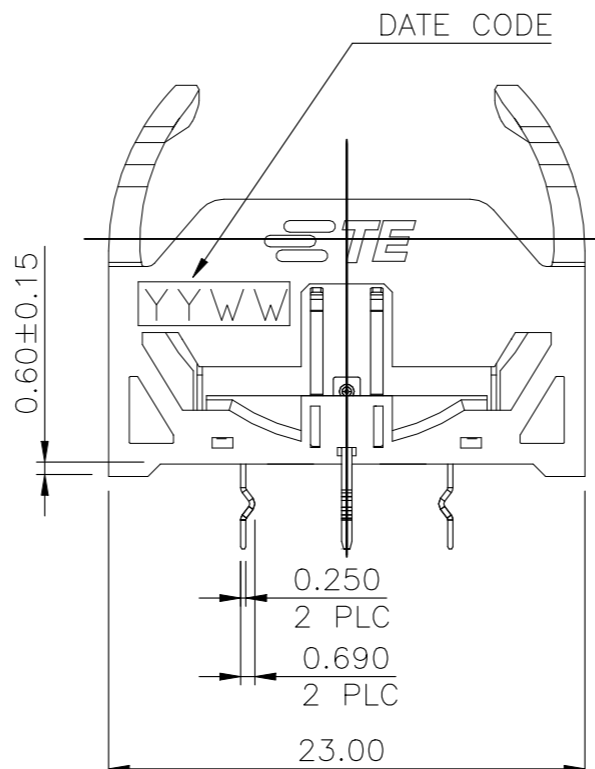
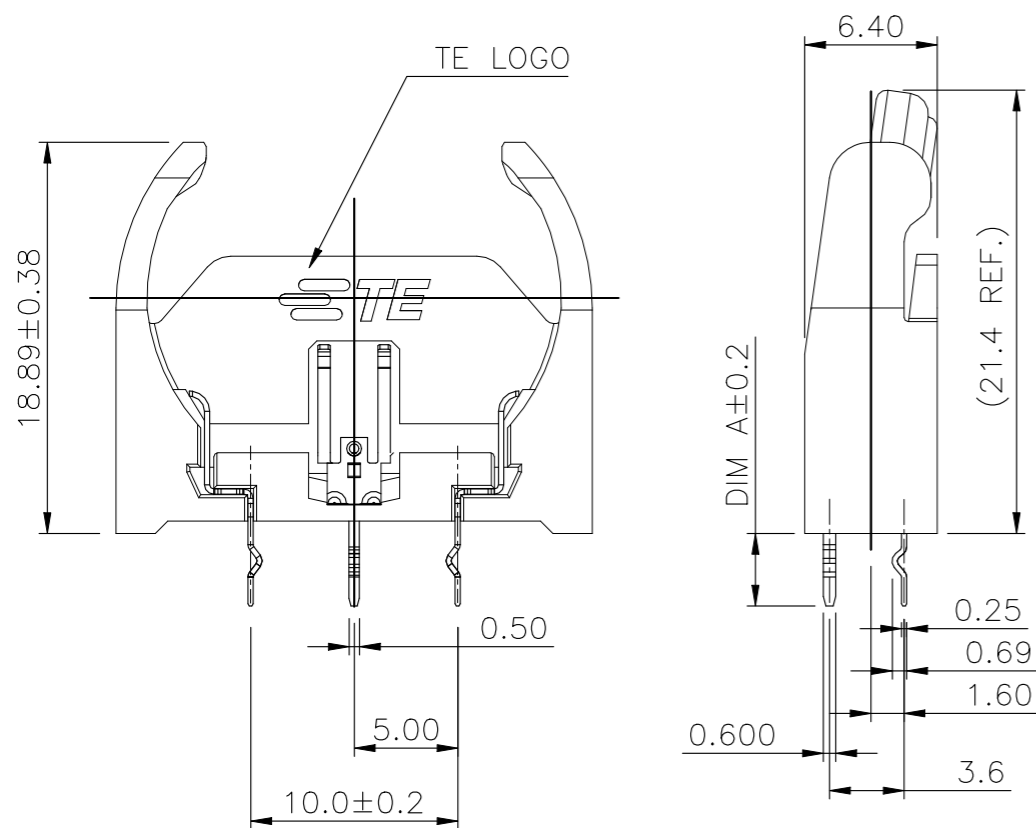


PRODUCT AS SHOWN
(0.60mm Height Standoff)

| | | | | | |
|--|--|-------------------------------|---------------------------------------|-----------------|---------------|
| THIS DRAWING IS A CONTROLLED DOCUMENT. | | DWN S. CHIEN 03JUN2008 | TE Connectivity Ltd. | | |
| DIMENSIONS: mm | | CHK W.KODAMA 03JUN2008 | | | |
| TOLERANCES UNLESS OTHERWISE SPECIFIED: | | APVD S. CHIEN 03JUN2008 | NAME BATTERY HOLDER, H=18.5mm, V/T | | |
| 0 PLC ± - | | PRODUCT SPEC 108-57542 | - | | |
| 1 PLC ± 0.38 | | APPLICATION SPEC - | SIZE | CAGE CODE | DRAWING NO |
| 2 PLC ± 0.25 | | | | | RESTRICTED TO |
| 3 PLC ± 0.15 | | | | | |
| 4 PLC ± - | | | WEIGHT 1.19 GRAMS | A300779 | C-1775485 |
| ANGLES ± 2° | | | CUSTOMER DRAWING | | |
| FINISH SEE NOTE | | | SCALE 1:1 | SHEET 2 of 5 | REV B5 |

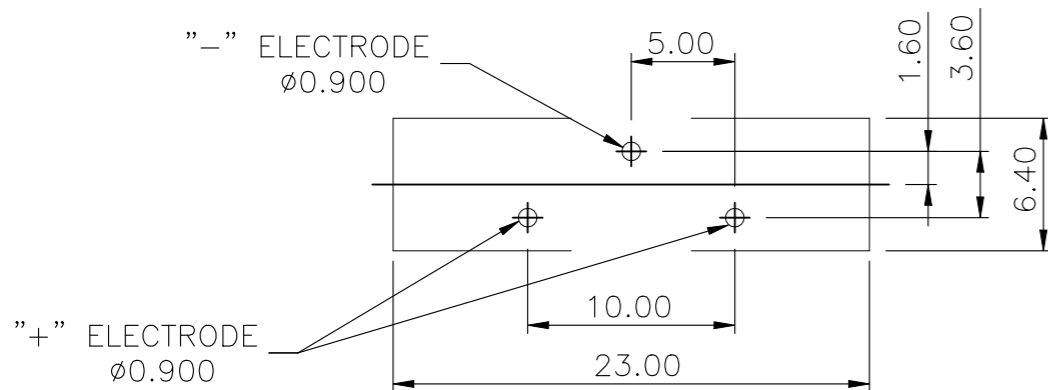
REVISIONS

| P | LTR | DESCRIPTION | DATE | DWN | APVD |
|---|-----|-------------|------|-----|------|
| - | - | SEE SHEET 1 | - | - | - |

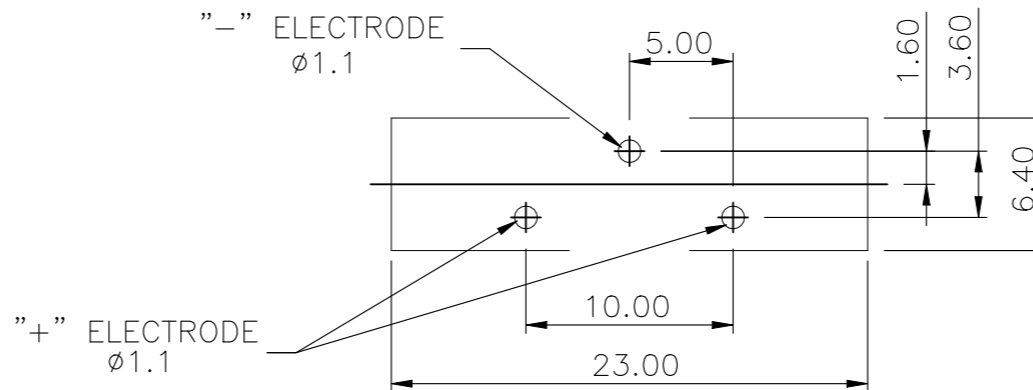


NOTES :

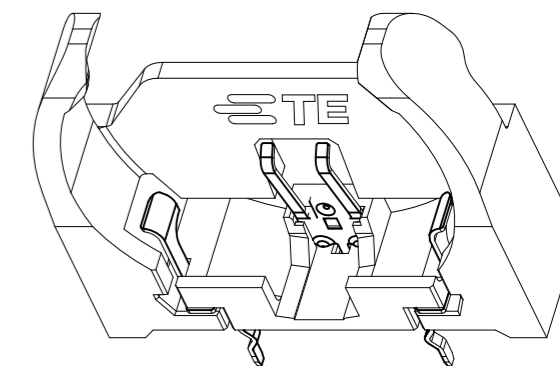
- MATERIAL :
 - HOUSING: UL94 V-0, PA SERIES COLOR: SEE TABLE
 - CONTACT: STAINLESS STEEL
- FINISH :
 - CONTACT
 - GOLD FLASH PLATING ON CONTACT AREA,
 - 2.54um [100u"] MIN. MATTE-TIN PLATING ON SOLDERING AREA.
 - 0.76um [30u"] MIN. NICKEL UNDERPLATING OVERALL.
- WAVE SOLDER CAPABLE TO 265°C PER TE SPEC. 109-202, CONDITION B.
- RECOMMENDED PCB THICKNESS: 1.6mm
- SUITABLE FOR BATTERY NO.: CR2032.
- LOW PCB RETENTION FORCE.
- 3-1775485-2 AND 4-1775485-2 ARE PRELIMINARY PART



RECOMMENDED PCB HOLE LAYOUT
PCB TOLERANCE ±0.05



RECOMMENDED PCB HOLE LAYOUT
PCB TOLERANCE ±0.05

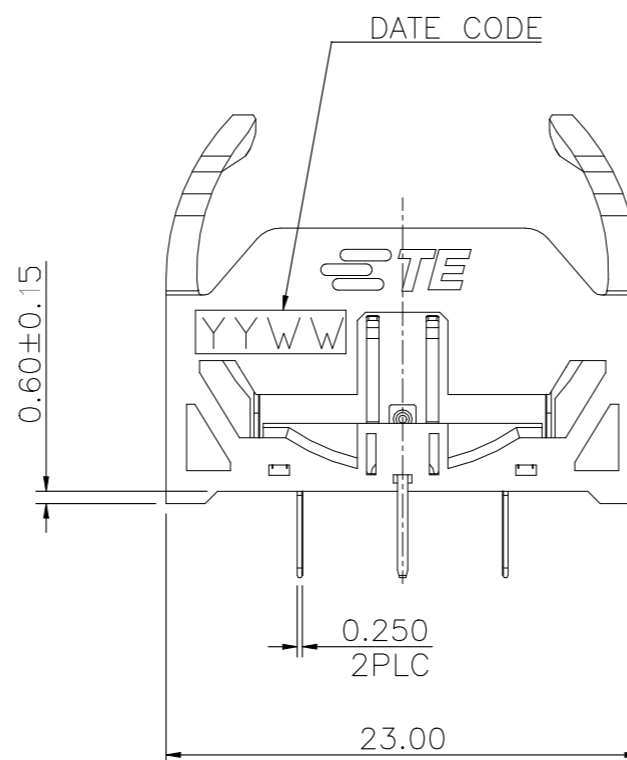
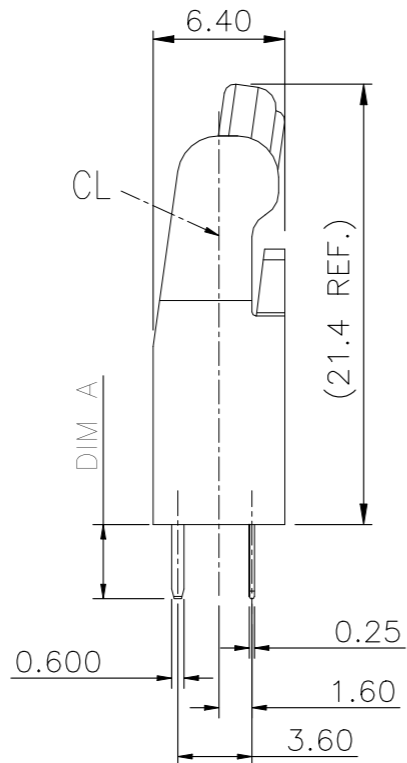
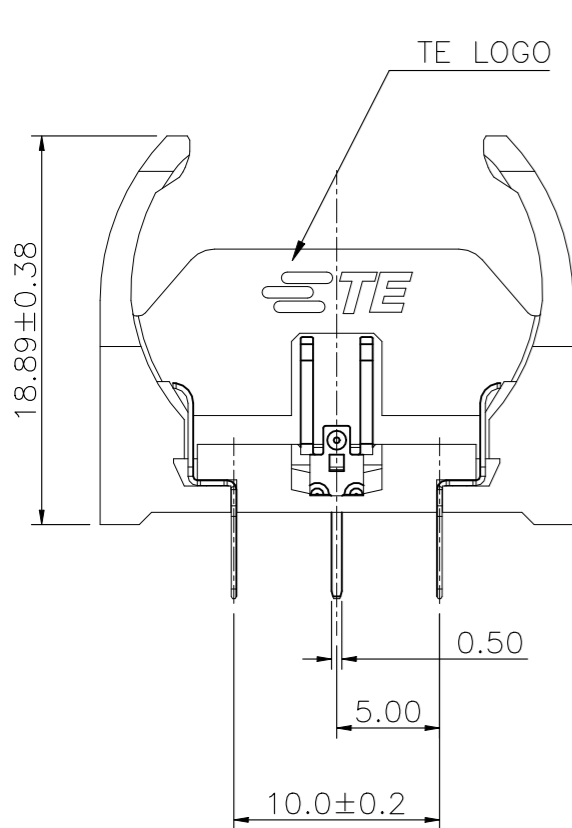


| | | |
|-------|---------------------|-------------|
| 3.00 | PA10T HF& BLACK | 3-1775485-2 |
| 3.50 | PA10T HF&2718C BLUE | 2-1775485-2 |
| DIM A | HOUSING COLOR | PART NO. |

| | | | | | | | | | | | | | | | | | |
|---|--------|-------------------------------|---------------------------------------|--------------|--------------------|-------------------------|--------------------|-------|--------|-------|-----|--------|------|---------------------------|---|--|--|
| THIS DRAWING IS A CONTROLLED DOCUMENT. | | DWN S. CHIEN 03JUN2008 | TE Connectivity Ltd. | | | | | | | | | | | | | | |
| DIMENSIONS: mm | | CHK W.KODAMA 03JUN2008 | | | | | | | | | | | | | | | |
| TOLERANCES UNLESS OTHERWISE SPECIFIED: | | APVD S. CHIEN 03JUN2008 | NAME BATTERY HOLDER, H=18.5mm, V/T | | | | | | | | | | | | | | |
| <table border="1"> <tbody> <tr><td>0 PLC</td><td>± -</td></tr> <tr><td>1 PLC</td><td>± 0.38</td></tr> <tr><td>2 PLC</td><td>± 0.25</td></tr> <tr><td>3 PLC</td><td>± 0.15</td></tr> <tr><td>4 PLC</td><td>± -</td></tr> <tr><td>ANGLES</td><td>± 2°</td></tr> </tbody> </table> | | 0 PLC | ± - | 1 PLC | ± 0.38 | 2 PLC | ± 0.25 | 3 PLC | ± 0.15 | 4 PLC | ± - | ANGLES | ± 2° | PRODUCT SPEC 108-57542 | - | | |
| 0 PLC | ± - | | | | | | | | | | | | | | | | |
| 1 PLC | ± 0.38 | | | | | | | | | | | | | | | | |
| 2 PLC | ± 0.25 | | | | | | | | | | | | | | | | |
| 3 PLC | ± 0.15 | | | | | | | | | | | | | | | | |
| 4 PLC | ± - | | | | | | | | | | | | | | | | |
| ANGLES | ± 2° | | | | | | | | | | | | | | | | |
| MATERIAL SEE NOTE | | FINISH SEE NOTE | APPLICATION SPEC - | SIZE A3 | CAGE CODE 00779 | DRAWING NO C-1775485 | RESTRICTED TO - | | | | | | | | | | |
| CUSTOMER DRAWING | | | WEIGHT 1.19 GRAMS | SCALE 1:1 | SHEET 3 of 5 | REV B5 | | | | | | | | | | | |

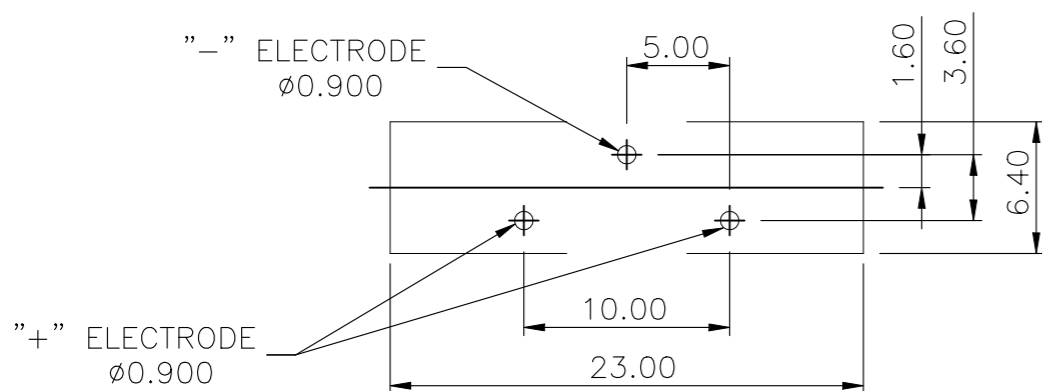
REVISIONS

| P | LTR | DESCRIPTION | DATE | DWN | APVD |
|---|-----|-------------|------|-----|------|
| - | - | SEE SHEET 1 | - | - | - |

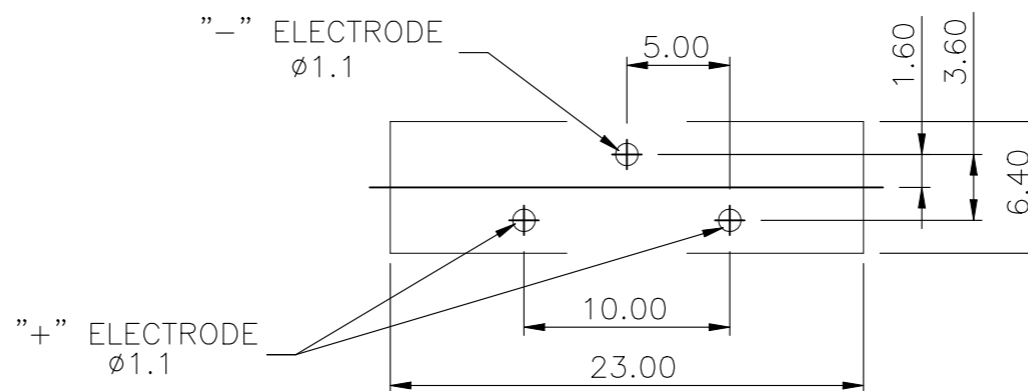


NOTES :

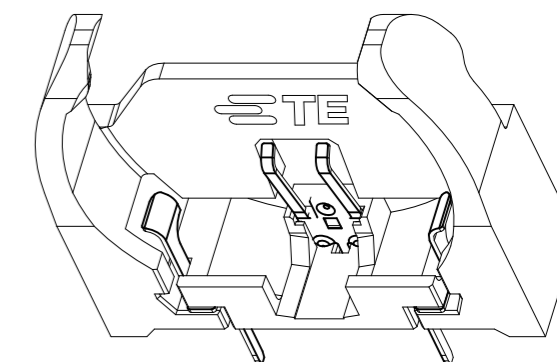
- MATERIAL :
 - HOUSING: UL94 V-0, PA SERIES COLOR: SEE TABLE
 - CONTACT: STAINLESS STEEL
- FINISH :
 - CONTACT
 - GOLD FLASH PLATING ON CONTACT AREA, 2.54um [100u"] MIN. MATTE-TIN PLATING ON SOLDERING AREA.
 - 0.76um [30u"] MIN. NICKEL UNDERPLATING OVERALL.
- WAVE SOLDER CAPABLE TO 265°C PER TE SPEC. 109-202, CONDITION B.
- RECOMMENDED PCB THICKNESS: 1.6mm
- SUITABLE FOR BATTERY NO.: CR2032.
- LOW PCB RETENTION FORCE.
- 1775485-6 IS PRELIMINARY PART.



RECOMMENDED PCB HOLE LAYOUT
PCB TOLERANCE ±0.05



RECOMMENDED PCB HOLE LAYOUT
PCB TOLERANCE ±0.05



| | | |
|-------|---------------------|-------------|
| 2.40 | PA10T HF&2718C BLUE | 1-1775485-6 |
| 3.60 | PA10T HF&2718C BLUE | 1775485-6 |
| DIM A | HOUSING COLOR | PART NO. |

| | | | | | |
|--|--|-------------------------|------------------------------------|----------------------|-----------------|
| THIS DRAWING IS A CONTROLLED DOCUMENT. | | DWN S. CHIEN 03JUN2008 | TE Connectivity Ltd. | | |
| DIMENSIONS: mm | | CHK W.KODAMA 03JUN2008 | | | |
| TOLERANCES UNLESS OTHERWISE SPECIFIED: | | APVD S. CHIEN 03JUN2008 | NAME BATTERY HOLDER, H=18.5mm, V/T | | |
| 0 PLC ± - | | PRODUCT SPEC 108-57542 | - | | |
| 1 PLC ± 0.38 | | APPLICATION SPEC - | - | | |
| 2 PLC ± 0.25 | | SIZE - | CAGE CODE A300779 | DRAWING NO C-1775485 | RESTRICTED TO - |
| 3 PLC ± 0.15 | | WEIGHT 1.19 GRAMS | SCALE 1:1 SHEET 4 OF 5 REV B5 | | |
| 4 PLC ± - | | CUSTOMER DRAWING | | | |
| ANGLES ± 2° | | | | | |
| FINISH SEE NOTE | | | | | |
| MATERIAL SEE NOTE | | | | | |

| REVISIONS | | | | | |
|-----------|-----|-------------|------|-----|------|
| P | LTR | DESCRIPTION | DATE | DWN | APVD |
| - | - | SEE SHEET 1 | - | - | - |

NOTES :

1. MATERIAL:

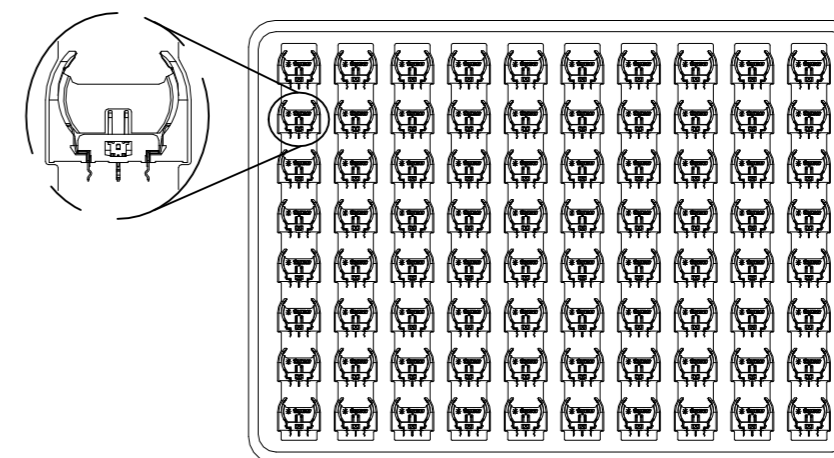
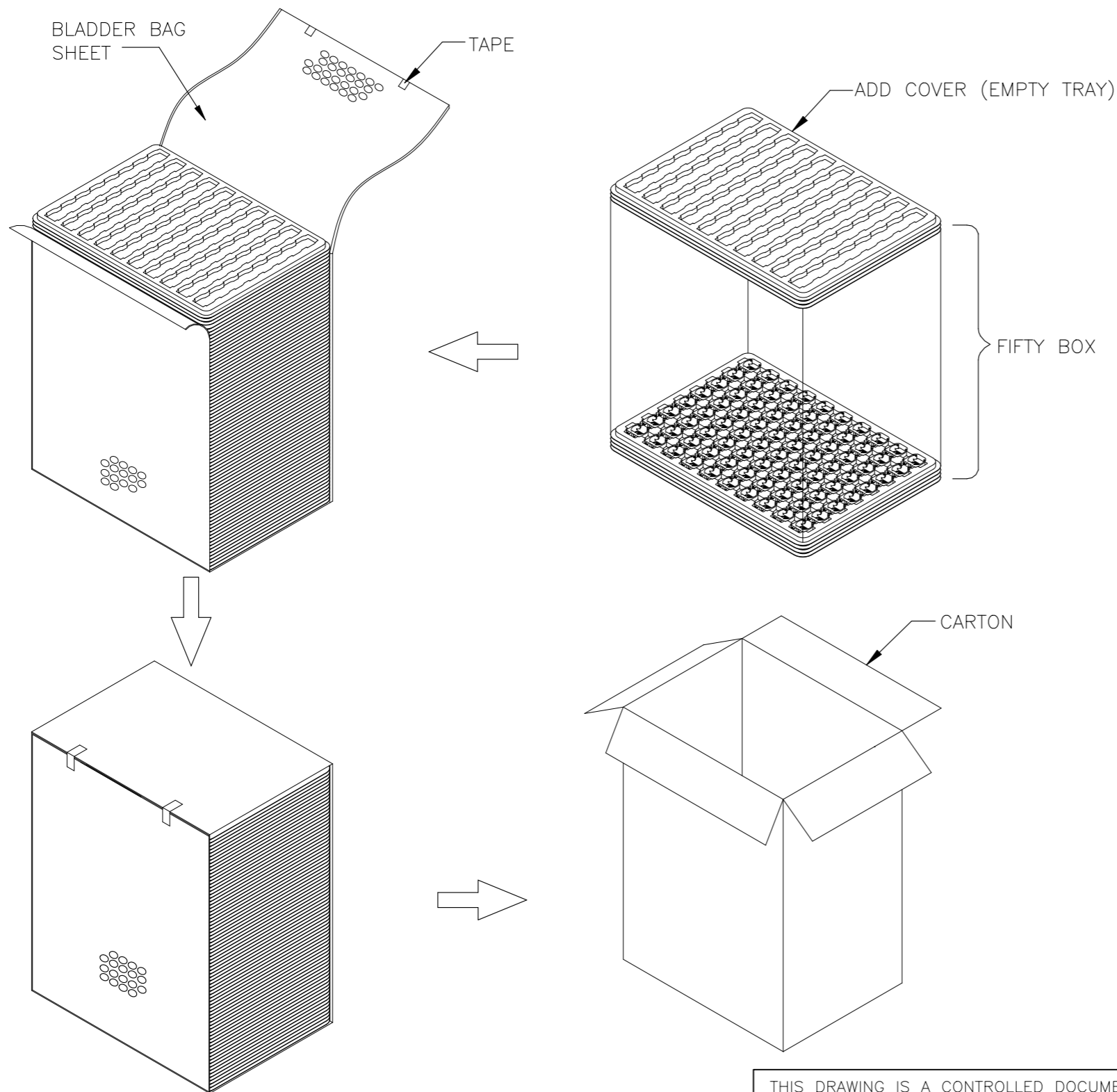
1.1 TRAY:

- 1775485-1/1775485-2/1775485-4/1775485-5 SOFT TRAY
- 1-1775485-1/1-1775485-2/2-1775485-1 SOFT TRAY
- 2-1775485-2/1775485-3/1775485-6/1-1775485-6 SOFT TRAY
- 3-1775485-2 SOFT TRAY
- 2-1775485-4 HARD TRAY

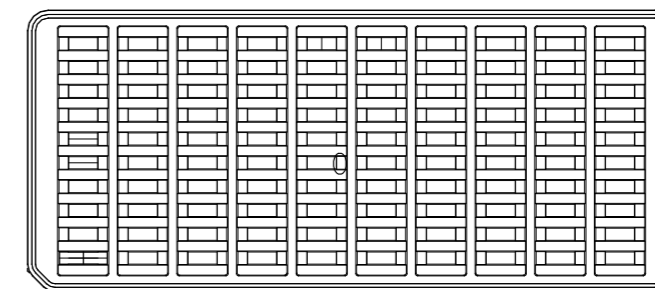
1.2 SHIPPING CARTON: CORRUGATED FIBERBOARD

2. QUANTITY:


- 2.1 PRIMARY PACKING: 80 PCS/TRAY SOFT TRAY
- 100 PCS/TRAY HARD TRAY
- 2.2 SECONDARY PACKING: 50 TRAY/CARTON(4,000PCS)
- 20 TRAY/CARTON(2,000PCS)



SOFT TRAY



HARD TRAY

| | | | | | | | | | | | | | | | | | |
|--|--------|-------------------------------|--|--------------------|-------------------------|-------|--------|-------|--------|-------|-----|--------|------|---------------------------|---------------|--|--|
| THIS DRAWING IS A CONTROLLED DOCUMENT. | | DWN S. CHIEN 03JUN2008 |  TE Connectivity Ltd. | | | | | | | | | | | | | | |
| DIMENSIONS: mm | | CHK W.KODAMA 03JUN2008 | | | | | | | | | | | | | | | |
| TOLERANCES UNLESS OTHERWISE SPECIFIED: | | APVD S. CHIEN 03JUN2008 | NAME BATTERY HOLDER, H=18.5mm, V/T | | | | | | | | | | | | | | |
| <table border="1"> <tr><td>0 PLC</td><td>± -</td></tr> <tr><td>1 PLC</td><td>± 0.38</td></tr> <tr><td>2 PLC</td><td>± 0.25</td></tr> <tr><td>3 PLC</td><td>± 0.15</td></tr> <tr><td>4 PLC</td><td>± -</td></tr> <tr><td>ANGLES</td><td>± 2°</td></tr> </table> | | 0 PLC | ± - | 1 PLC | ± 0.38 | 2 PLC | ± 0.25 | 3 PLC | ± 0.15 | 4 PLC | ± - | ANGLES | ± 2° | PRODUCT SPEC 108-57542 | RESTRICTED TO | | |
| 0 PLC | ± - | | | | | | | | | | | | | | | | |
| 1 PLC | ± 0.38 | | | | | | | | | | | | | | | | |
| 2 PLC | ± 0.25 | | | | | | | | | | | | | | | | |
| 3 PLC | ± 0.15 | | | | | | | | | | | | | | | | |
| 4 PLC | ± - | | | | | | | | | | | | | | | | |
| ANGLES | ± 2° | | | | | | | | | | | | | | | | |
| MATERIAL SEE NOTE | | APPLICATION SPEC - | SIZE A3 | CAGE CODE 00779 | DRAWING NO C-1775485 | | | | | | | | | | | | |
| FINISH SEE NOTE | | WEIGHT 1.19 GRAMS | SCALE 1:1 | SHEET 5 of 5 | REV B5 | | | | | | | | | | | | |
| | | CUSTOMER DRAWING | | | | | | | | | | | | | | | |