

THIS DRAWING IS UNPUBLISHED.

RELEASED FOR PUBLICATION

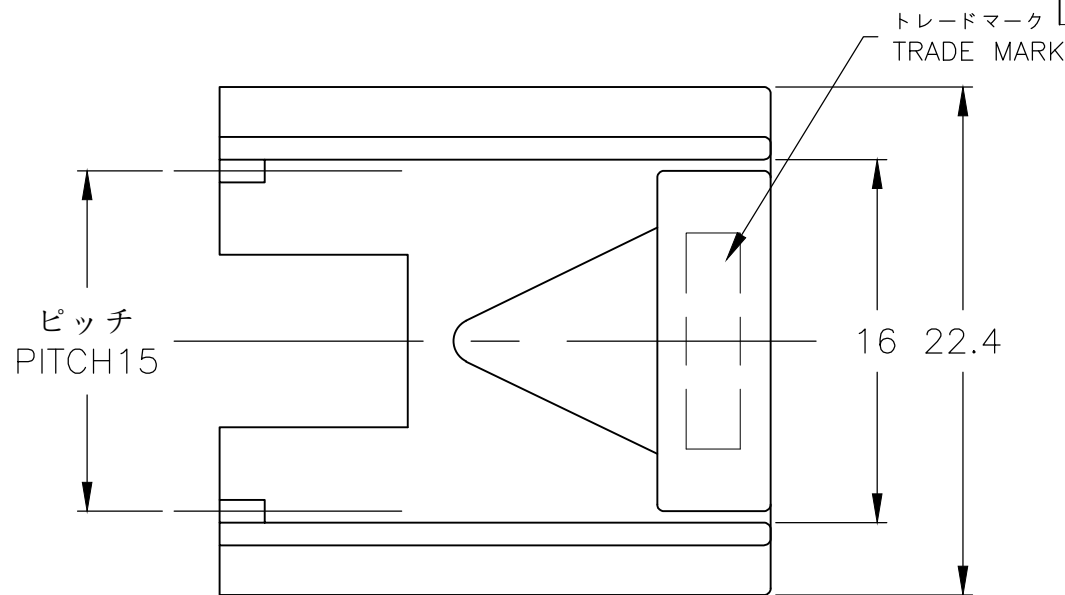
ALL RIGHTS RESERVED.

© COPYRIGHT - By -

REVISIONS

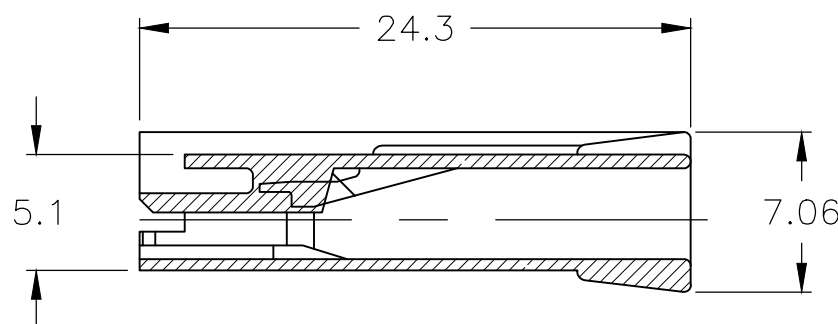
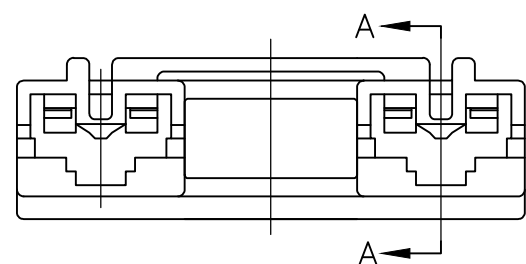
変更

P	LTR	DESCRIPTION	DATE	DWN	APVD
	B1	REVISED PER ECR-18-011401	24JUL2018	BDA	DS

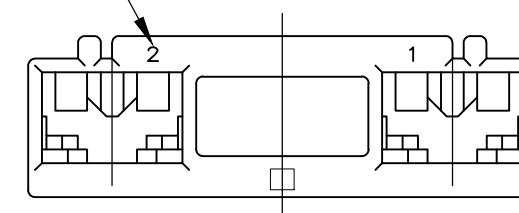


NOTES

- APPLICABLE CONTACT PART NUMBER : 170324-X, 170325-X, 170326-X
- BLUE PARTS MAY APPEAR MEDIUM BLUE TO LIGHT BLUE TO LIGHT GRAY IN COLOR AND MAY ALSO EXHIBIT A MARBLING EFFECT

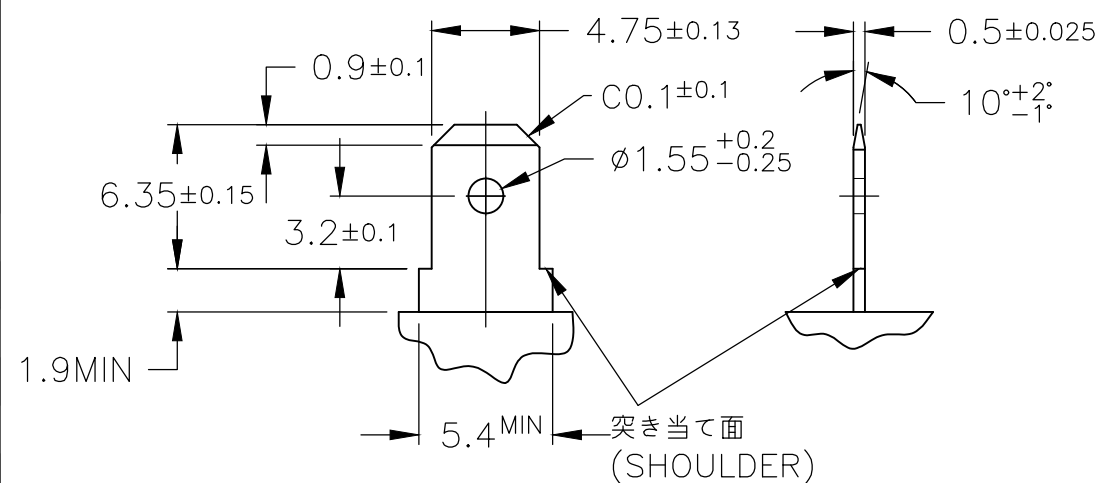


回路番号  
CIRCUIT NO.



断面 A-A

タブ推奨図  
RECOMMENDED TAB



PITCH 15±0.15



SUPERSEDED BY 2-176498-6

66NYLON UL94V-0 Natural	BLUE	2-176498-6
66NYLON (UL94V-0)	△ BLUE	-1-176498-6-
66NYLON (UL94V-2)	黄色 (YELLOW)	3-176498-4
66NYLON (UL94V-0)	青色 (BLUE)	176498-6
	黄色 (YELLOW)	176498-4
	黒色 (BLACK)	176498-2
	自然色 (NATURAL)	176498-1
材料 (MATERIAL)	色調 (COLOR)	型番(PART NUMBER)

THIS DRAWING IS A CONTROLLED DOCUMENT.		DWN J.SATO 07SEP2007	<b>STE</b> TE Connectivity Ltd.		
DIMENSIONS: 単位: 耗 mm		CHK S.MANABE 07SEP2007			
TOLERANCES UNLESS OTHERWISE SPECIFIED: 一般公差		APVD S.MANABE 07SEP2007	NAME 名称 187 SERIES POSITIVE LOCK MK-II 2P REC HSG		
0 PLC ± 1 PLC 10以下 ± 0.2 20 30以下 ± 0.25 30 100以下 ± 0.3 4 PLC ± ANGLES ± 3°		PRODUCT SPEC 製品規格 108-5126	SIZE A3	CAGE CODE 00779	DRAWING NO 番号 C-176498
MATERIAL 材料 SEE TABLE		FINISH 仕上	APPLICATION SPEC 取付適用規格		RESTRICTED TO
		WEIGHT	SCALE 尺度 3:1		SHEET 1 OF 1
		CUSTOMER DRAWING	REV B1		