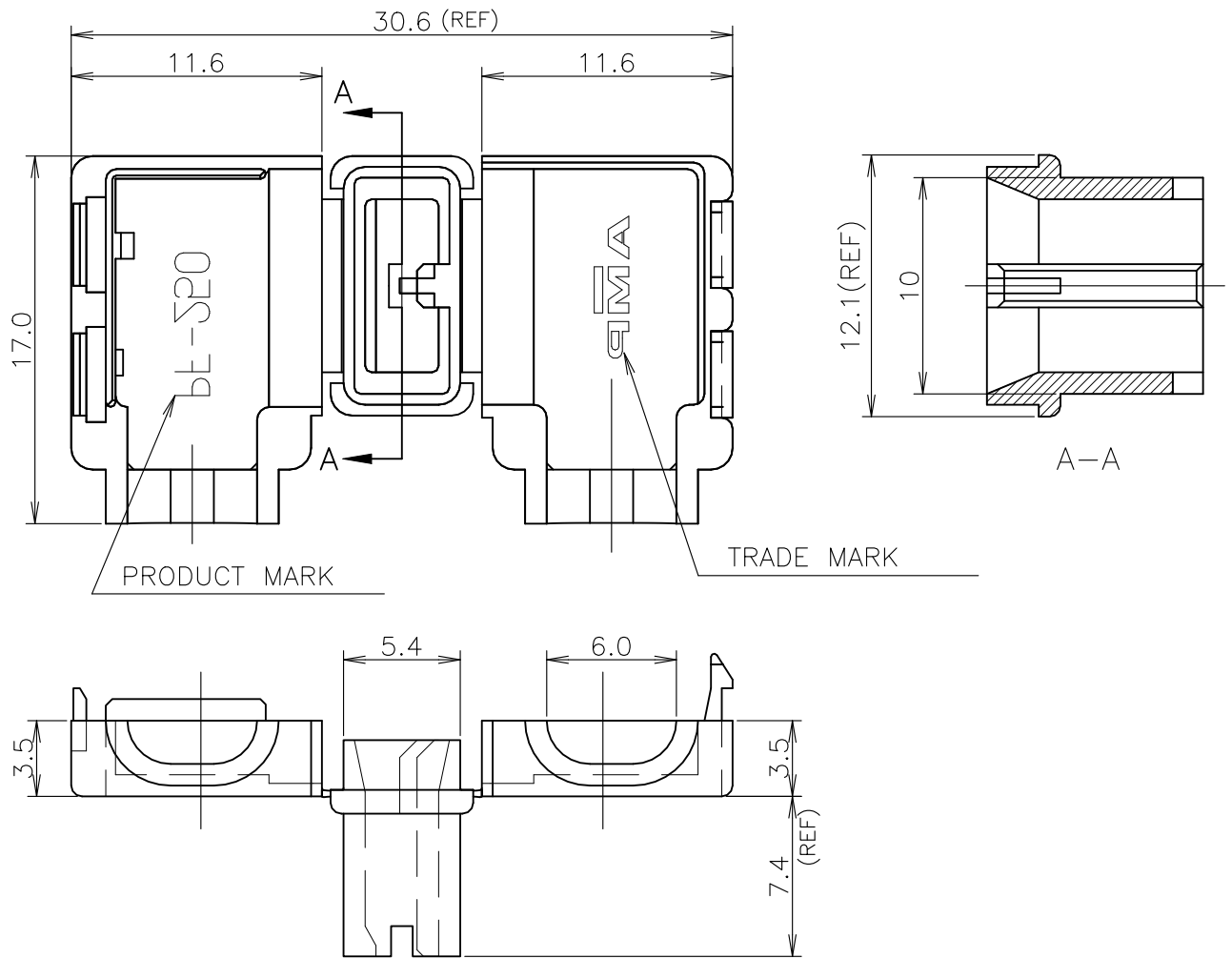


REVISIONS 変更					
P	LTR	DESCRIPTION	DATE	DWN	APVD
	J	REVISED PER PCN-21-121753	26JUL2022	LZ	EW



1 APPLICABLE CONTACT P/N: 175057-1

2 OBSOLETE PARTS: OBSOLETE CIS STERAMLINING PER D.RENAUD/D.SINSI

3 OBSOLETE PARTS

3	GWT,94V-0	(NATURAL)	<del>7-176497-1</del>
	94V-0	(BLACK)	1-176497-9
	94V-0	(RED)	1-176497-7
	94V-0	(BLUE)	1-176497-6
	94V-0	(YELLOW)	1-176497-4
	94V-0	(NATURAL)	1-176497-1
	94V-2	(BLACK)	176497-9
	94V-2	(NATURAL)	176497-1
	UL GRADE	(COLOR)	(P/N)

GENERAL TOLERANCE	
10 ≥	±0.2
30 ≥ > 10	±0.25
100 ≥ > 30	±0.3
ANGLES: ±3°	

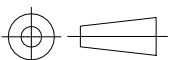
TE Connectivity. All Rights Reserved.

©

DIMENSIONS:  
單位: 耗  
mm

TOLERANCES UNLESS  
OTHERWISE SPECIFIED:  
一般公差

0 PLC	± -
1 PLC	± -
2 PLC	± -
3 PLC	± -
4 PLC	± -
ANGLES	± -



DWN	Y.FUJITA	10NOV1989
CHK	Y.FUJITA	10NOV1989
APVD	N.ONOUE	11NOV1989
PRODUCT SPEC		
APPLICATION SPEC		
WEIGHT	0.000000	

WIRE RANGE		INSULATION DIA	
		mm <sup>2</sup>	2.8~4.2 mm $\phi$
MATERIAL	6/6 NYLON(SEE TABLE)	FINISH	
TE Connectivity ONE TOUCH SLEEVE 250 SERIES FLAG POSITIVE LOCK-EX			
SIZE	A4	CAGE CODE	00779
DRAWING NO	176497		RESTRICTED TO

CUSTOMER DRAWING

SCALE NTS SHEET 1 OF 1 REV J