

| REVISIONS | | | | |
|-----------|-----|---------------------------|-----------|------------|
| P. | LTN | DESCRIPTION | DATE | APVD |
| B | | REVISED PER ECR-20-100642 | 23SEP2022 | M, G, D, Z |
| | | | | |
| | | | | |

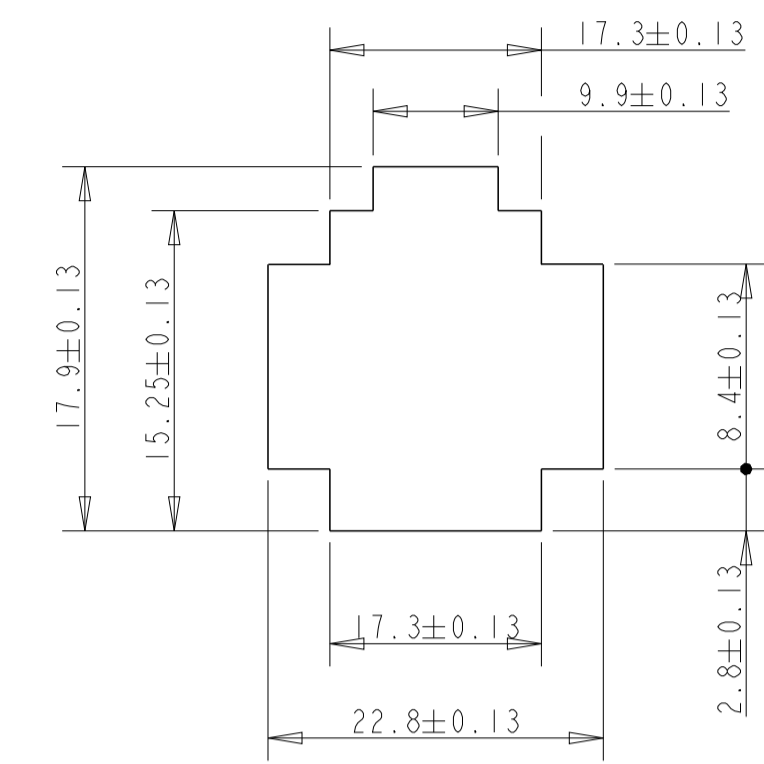
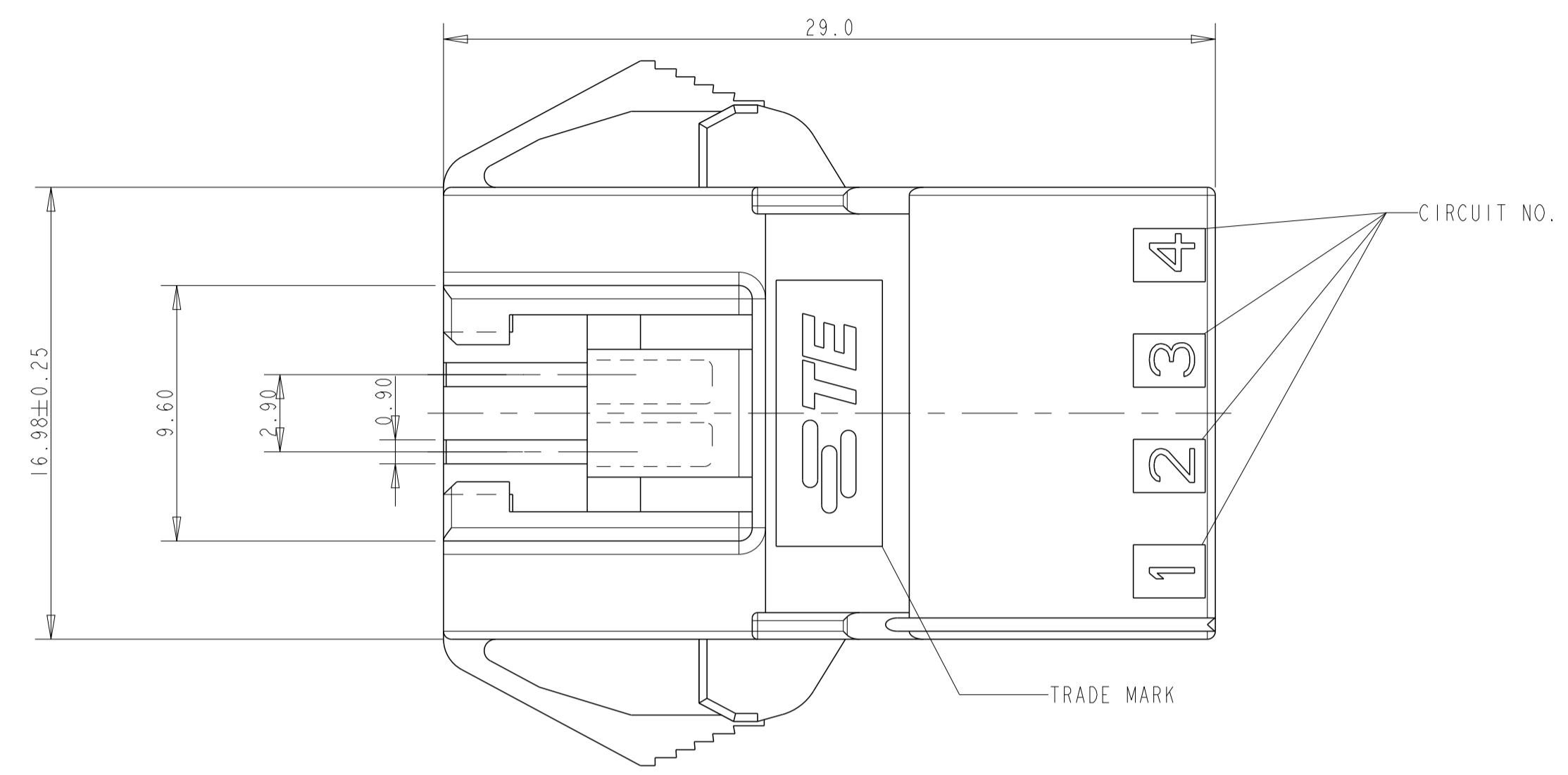
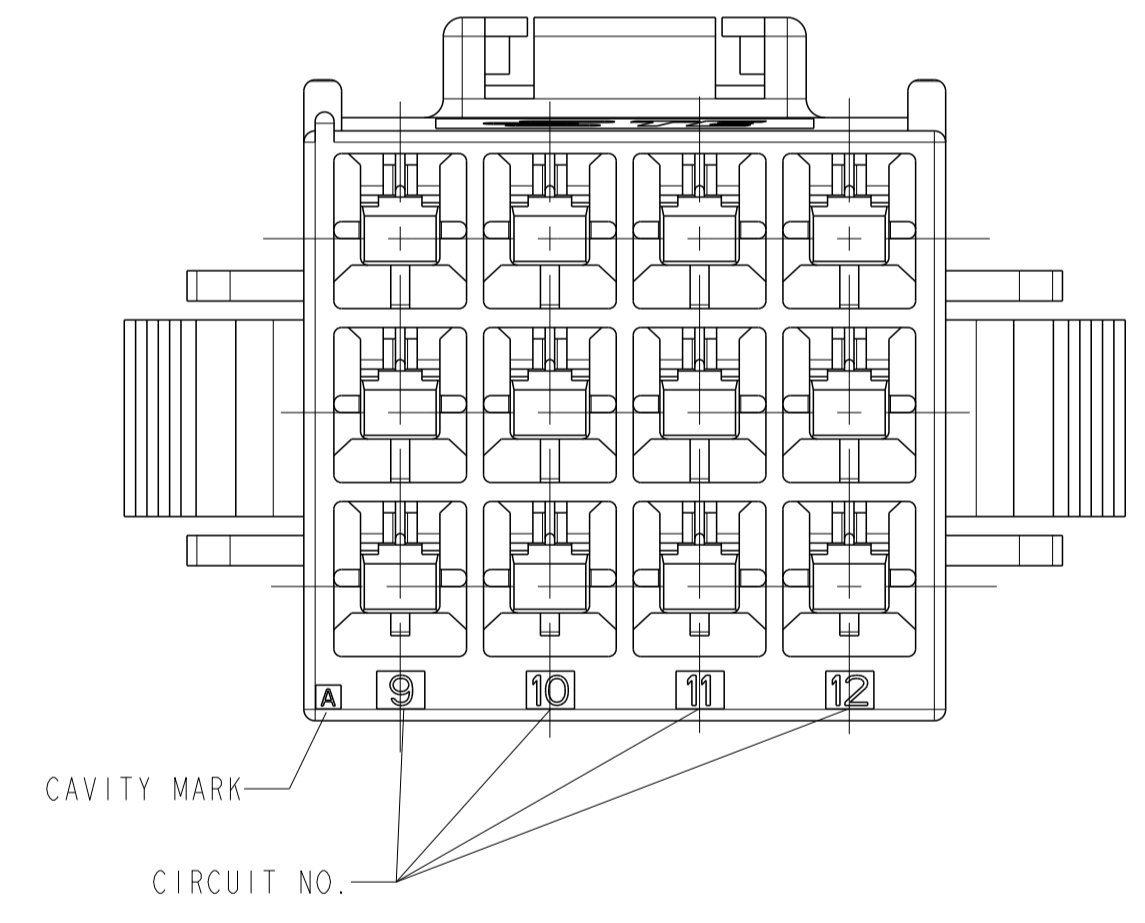
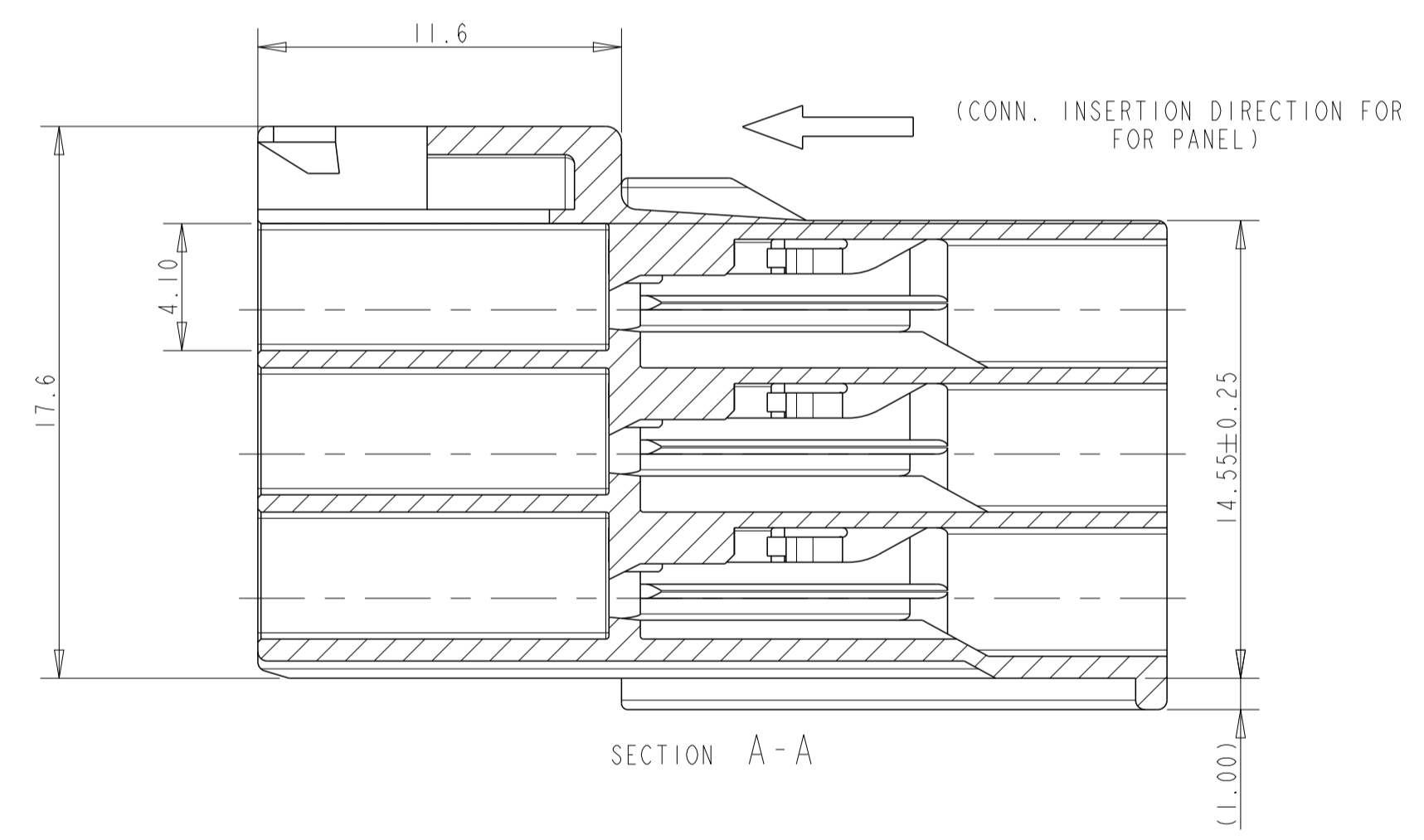
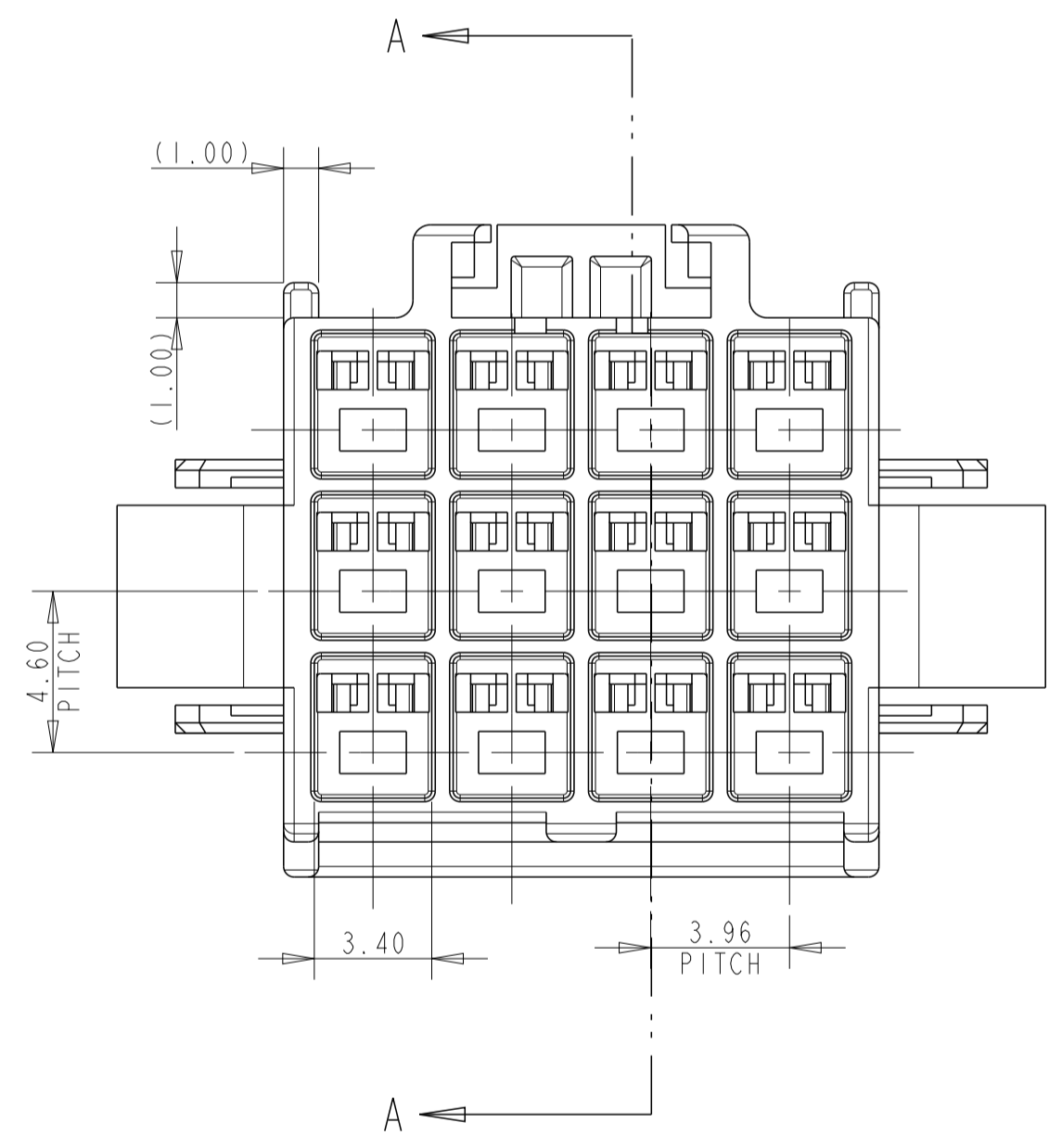


FIG 1
(RECOMMENDED PANEL OPENING DIMENSION)



- NOTES:
- 1 APPLICABLE CONTACT P/N:
TAB CONTACT: 175150-□ (20-16 AWG)
175149-□ (26-22 AWG)
 - 2 MATING CONN. P/N:
PLUG HSG: 176278-□
REC CONTACT: 175152-□ (20-16 AWG)
175151-□ (26-22 AWG)
 - 3 INSTRUCTION SHEET: IS-503J.
 - 4 APPLICABLE PANEL THICKNESS : 0.8-2.0 (SEE FIG 1).
 - 5 INSERT CONN. FROM FREE DIRECTION SIDE FOR METAL PANEL.
 - 6 EAGE OF THICKNESS WAY MUST NOT ROUND FOR MOLDED PANEL.

| | | | |
|--------------|---------------|----------|-------------|
| DISCONTINUED | — BLACK | 12 | 176299-9 |
| DISCONTINUED | — BLUE | 12 | 176299-6 |
| DISCONTINUED | — YELLOW | 12 | 176299-4 |
| DISCONTINUED | — RED | 12 | 176299-2 |
| | NATURAL | 12 | 176299-1 |
| | HOUSING COLOR | POSITION | PART NUMBER |

THIS DRAWING IS A CONTROLLED DOCUMENT.

| | | | |
|------------------------------|---|---------------------------|--|
| DIMENSIONS: | TOLERANCES UNLESS OTHERWISE SPECIFIED: | DWN Y. NARISAWA 25APR1990 | CHK Y. FUJITA 19NOV1990 |
| mm | 0 PLC ±.25 1 PLC ±0.25 2 PLC ±0.20 3 PLC ±. 4 PLC ±. ANGLES ±° | APVD N. ONOUE 20NOV1990 | NAME AMP UNIVERSAL POWER CONN, 3.96MM PITCH CAP HOUSING 12 POS (PANEL MOUNT) |
| MATERIAL 6/6 NYLON (UL94V-0) | FINISH | PRODUCT SPEC 108-5302 | APPLICATION SPEC 114-5142 |
| | | WEIGHT | SIZE CAGE CODE DRAWING NO. A 00779 C=176299 |
| | | CUSTOMER DRAWING | RESTRICTED TO |

SCALE 5:1 SHEET 1 OF 1 REV B