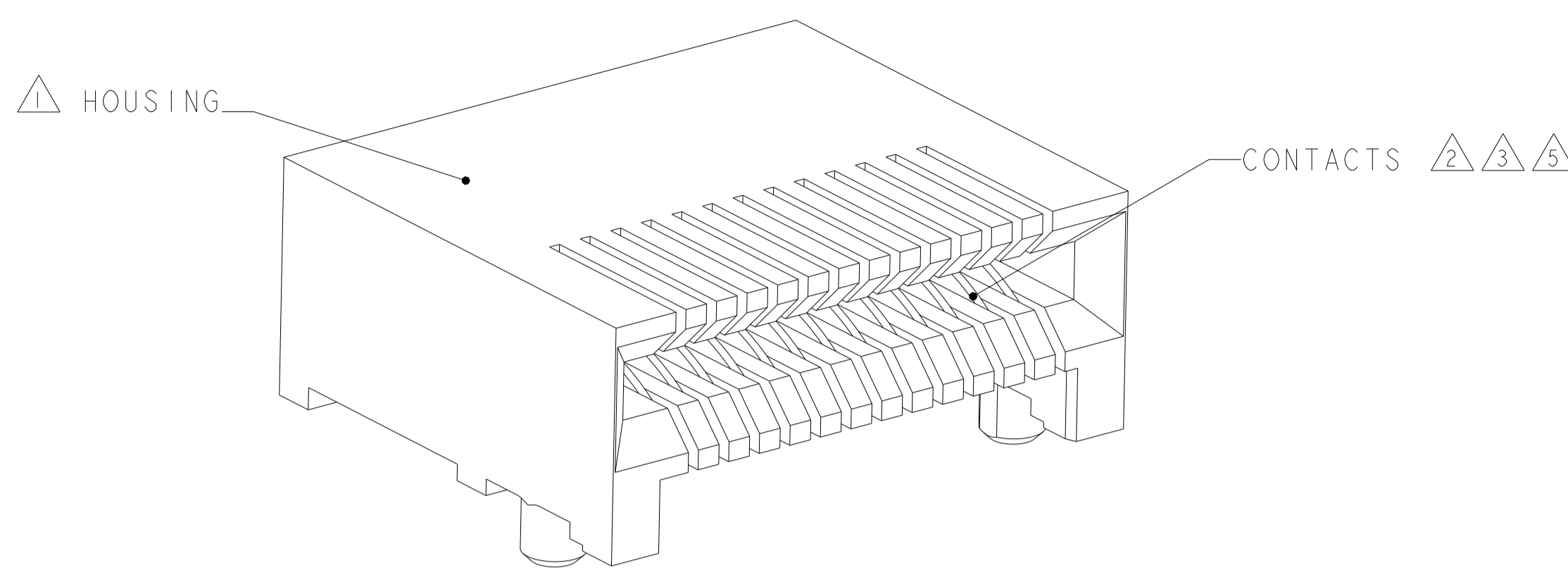
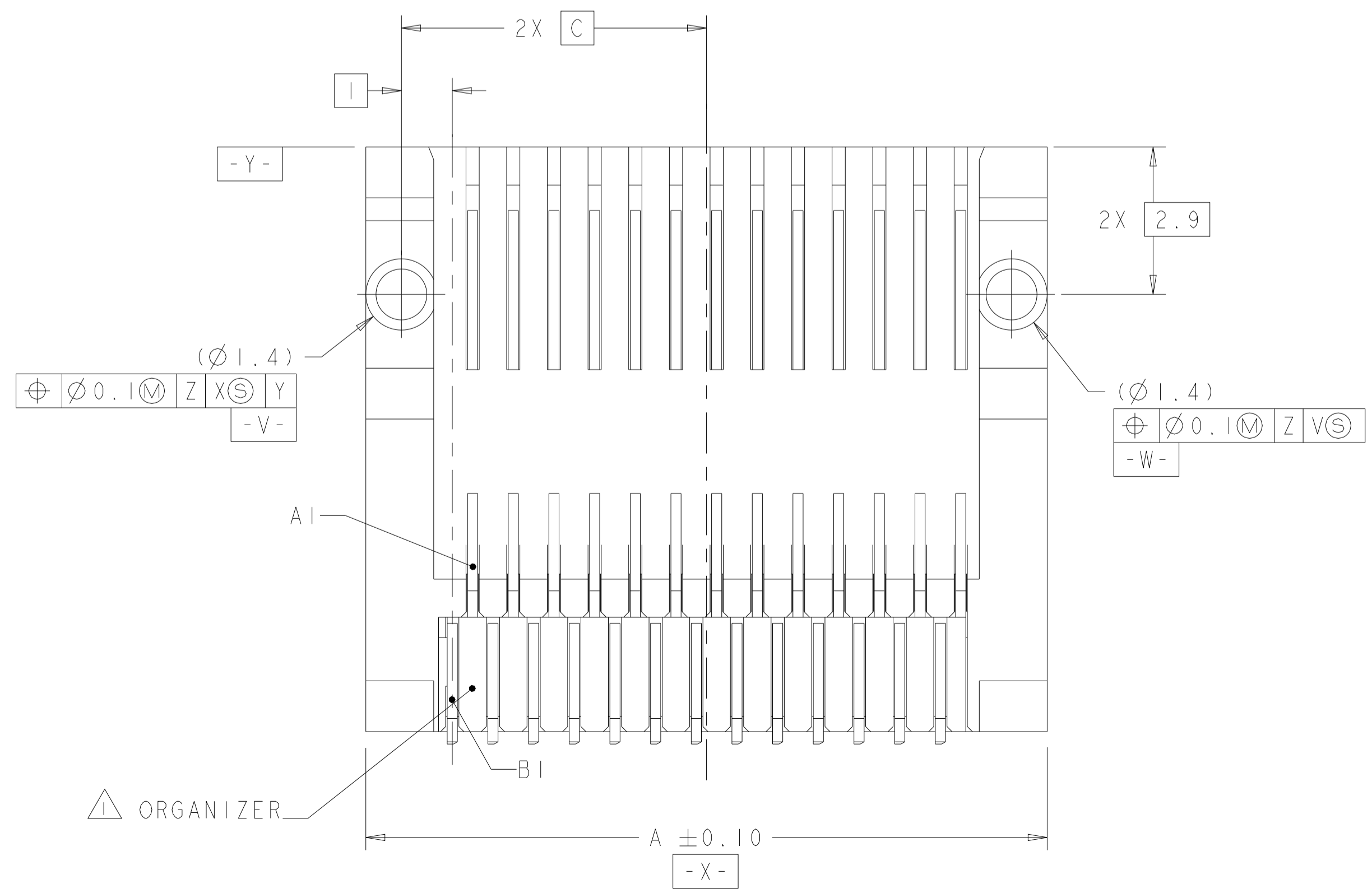
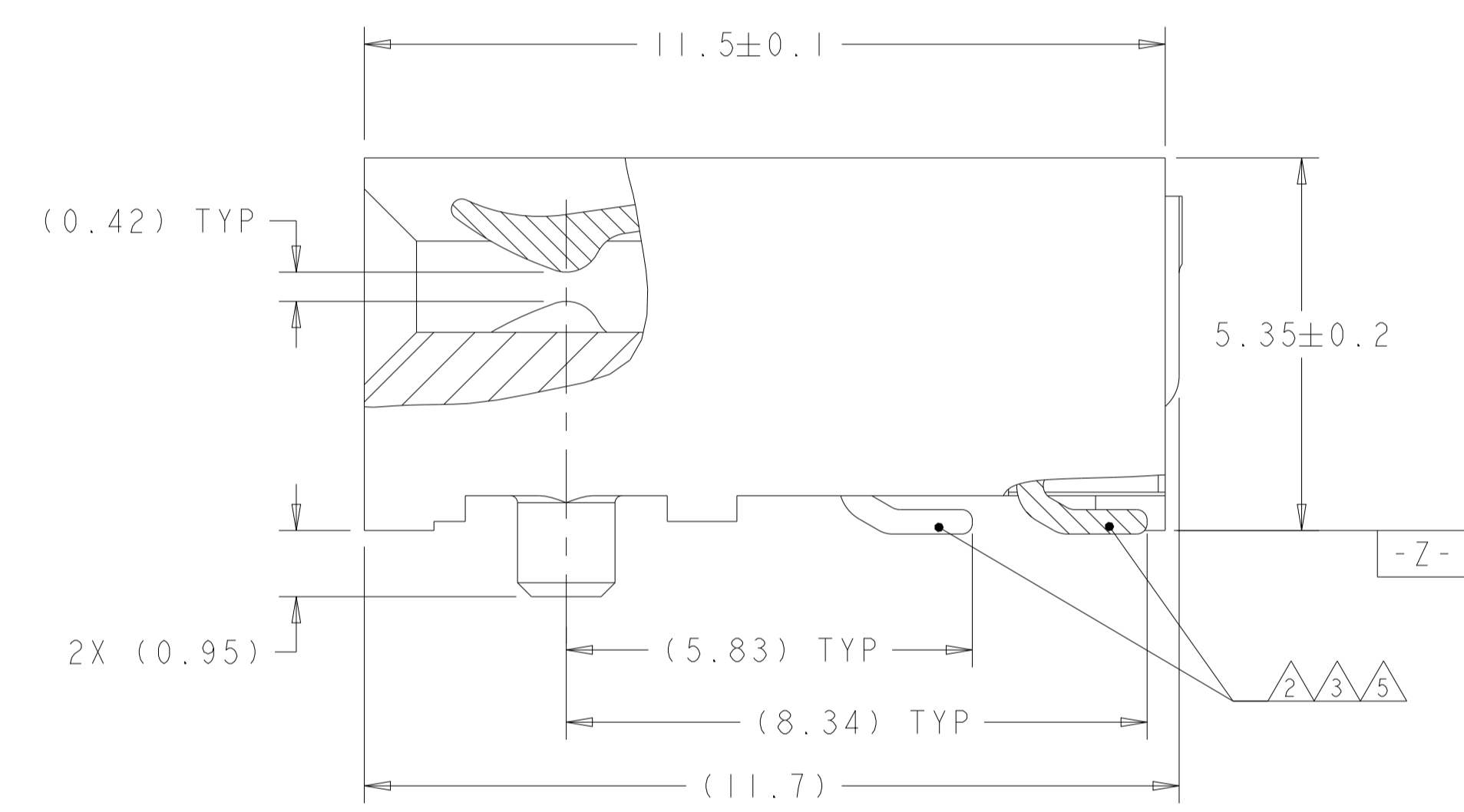
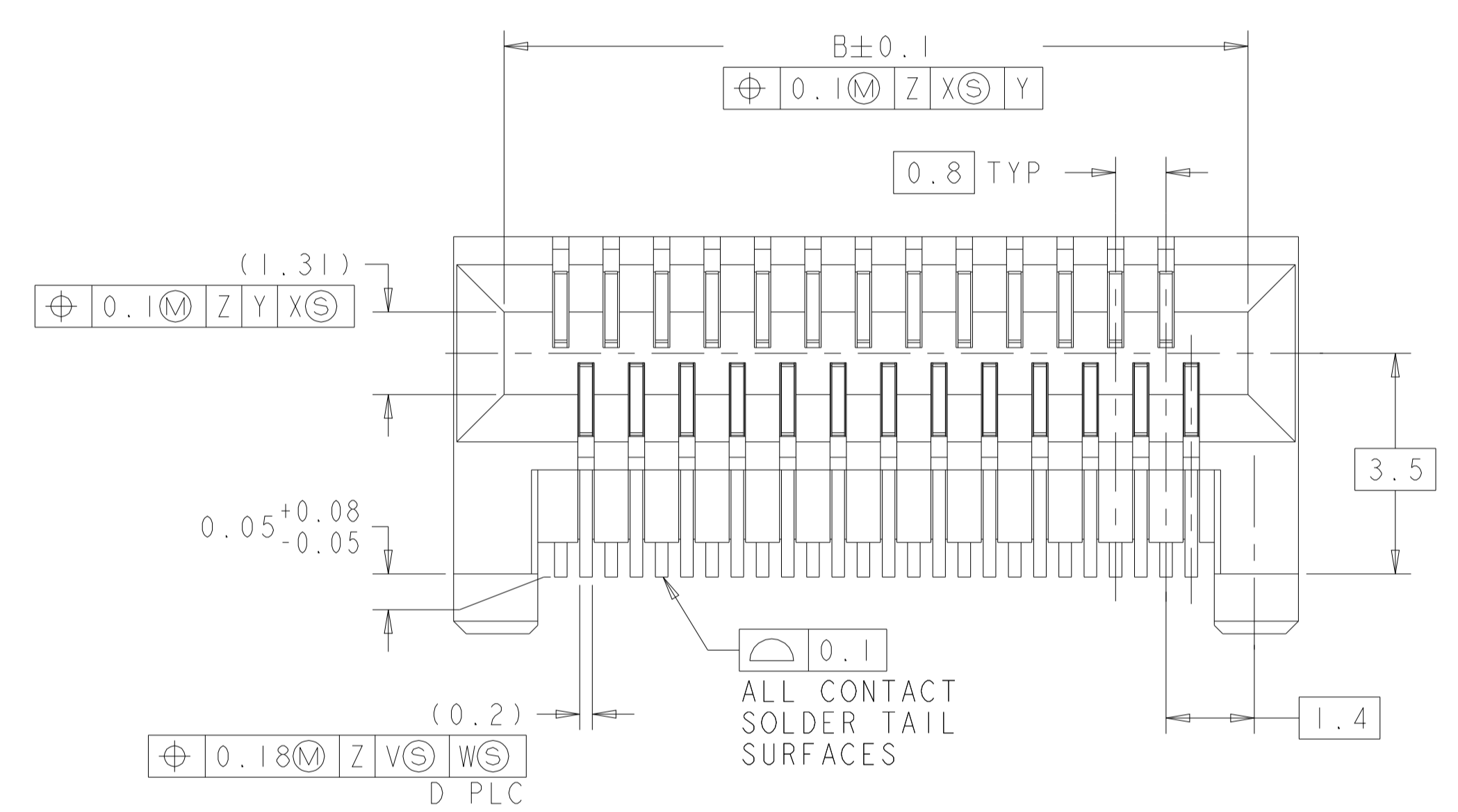


LOC		DIST		REVISIONS			
P	LTN	DESCRIPTION	DATE	DWN	APVD		
A2		REVISED PER ECO-11-004835	11MAR2011	RK	HMR		
A3		REVISED PER ECO-14-010818	27OCT2016	RG	SH		
B		REVISED PER ECO-17-017261	02MAY2018	TX	SH		
C1		REVISED PER ECN-21-111504	03AUG2021	TM	DZ		



26 POSITION RECEPTACLE
SCALE 9:1

- 1 MATERIAL: LCP, BLACK.
- 2 MATERIAL: PHOSPHOR BRONZE PER ASTM B 103.
- 3 FINISH: 0.76µm MIN GOLD PLATE PER ASTM B 488, APPLIES TO INTERFACE AREA AND 2.03µm MIN TIN PLATE SOLDER TAILS, ALL OVER 3.81µm MIN NICKEL PLATE PER QQ-N-290.
- 4 DATUM AND BASIC DIMENSION ESTABLISHED BY CUSTOMER.
- 5 FINISH: 0.38µm MIN GOLD PLATE PER ASTM B 488, APPLIES TO INTERFACE AREA AND 2.03µm MIN TIN PLATE SOLDER TAILS, ALL OVER 3.81µm MIN NICKEL PLATE PER QQ-N-290.



FINISH	PACKAGING	POSN						PART NUMBER
		E	D	C	B	A		
5	TAPE AND REEL	16.80	38	8.40	16.60	18.20	38	1-1761987-8
		16.00	36	8.00	15.80	17.40	36	1-1761987-7
		12.00	26	6.00	11.80	13.40	26	1-1761987-6
		28.80	68	14.80	28.60	30.20	68	1-1761987-5
	TUBE	16.80	38	8.40	16.60	18.10	38	1-1761987-4
		23.20	54	11.60	23.00	24.60	54	1-1761987-3
		21.60	50	10.80	21.40	23.00	50	1-1761987-2
		16.00	36	8.00	15.80	17.40	36	1-1761987-1
3	TAPE AND REEL	16.80	38	8.40	16.60	18.20	38	1761987-9
		16.00	36	8.00	15.80	17.40	36	1761987-8
		12.00	26	6.00	11.80	13.40	26	1761987-7
		28.80	68	14.80	28.60	30.20	68	1761987-6
	TUBE	16.80	38	8.40	16.60	18.20	38	1761987-5
		23.20	54	11.60	23.00	24.60	54	1761987-4
		21.60	50	10.80	21.40	23.00	50	1761987-3
		16.00	36	8.00	15.80	17.40	36	1761987-2
		12.00	26	6.00	11.80	13.40	26	1761987-1

THIS DRAWING IS A CONTROLLED DOCUMENT. DWN M.E. CONHEP 28JUN2005
 CHK R.R. HENRY 28JUN2005
 APVD R.R. HENRY 28JUN2005

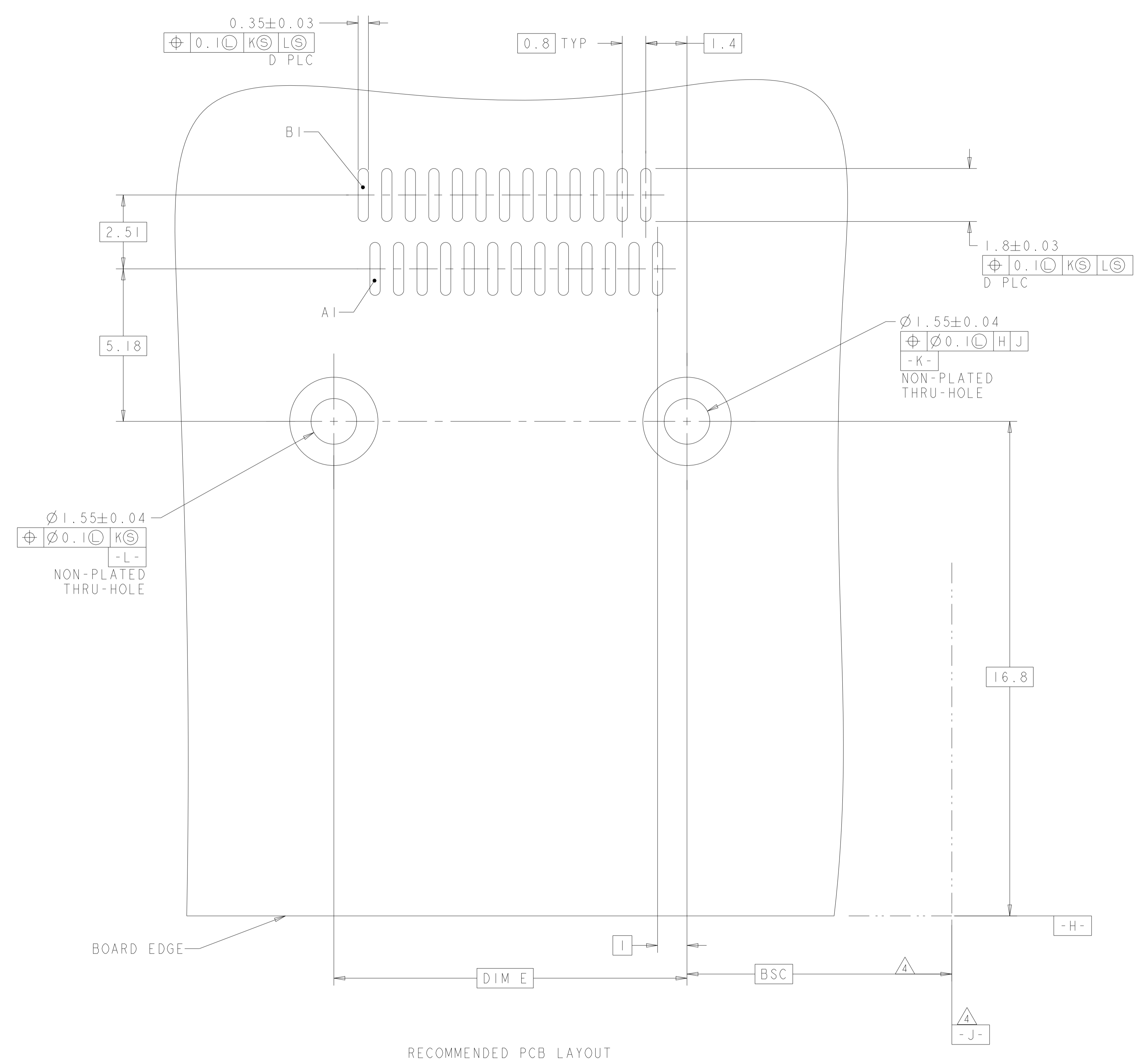
TE Connectivity

EVERCLEAR Mini-SAS RECEPTACLE CONNECTOR ASSEMBLY, RIGHT ANGLE, SURFACE MOUNT

SIZE CAGE CODE DRAWING NO RESTRICTED TO
 A1 00779 C=1761987

MATERIAL SEE NOTES FINISH SEE TABLE WEIGHT - SCALE 12:1 SHEET 1 OF 2 REV C1

LOC	DIST	REVISIONS					
GP	00	P	LTN	DESCRIPTION	DATE	DMN	APVD
		-		SEE SHEET 1	-	-	-



RECOMMENDED PCB LAYOUT

THIS DRAWING IS A CONTROLLED DOCUMENT.

DIMENSIONS: mm 	TOLERANCES UNLESS OTHERWISE SPECIFIED: 0 PLC ±0.13 1 PLC ±0.13 2 PLC ±0.13 3 PLC ± 4 PLC ± ANGLES ± FINISH ±	DMN M.E. CONHEB 28JUN2005 CHK R.R. HENRY 28JUN2005 APVD R.R. HENRY 28JUN2005 NAME EVERCLEAR Mini-SAS RECEPTACLE CONNECTOR ASSEMBLY, RIGHT ANGLE, SURFACE MOUNT PRODUCT SPEC 108-2234 APPLICATION SPEC SIZE A1 CAGE CODE 1761987 DRAWING NO. 100779 WEIGHT - CUSTOMER DRAWING	DATE 28JUN2005 NAME PRODUCT SPEC 108-2234 APPLICATION SPEC SIZE A1 CAGE CODE 1761987 DRAWING NO. 100779 WEIGHT - CUSTOMER DRAWING	RESTRICTED TO SCALE 12:1 SHEET 2 OF 2 REV C1
-----------------------	---	--	---	---

4805 (3/11)