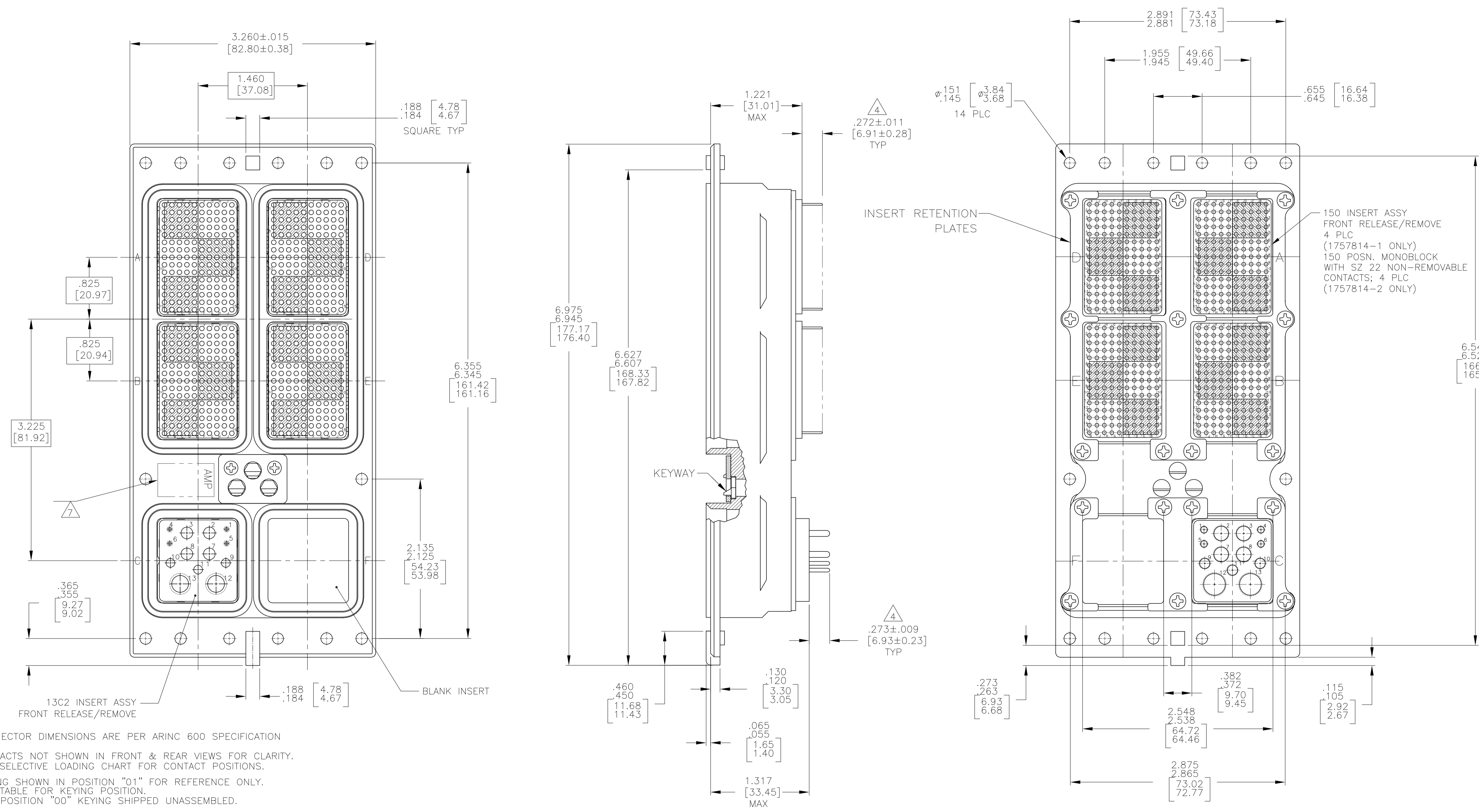


REVISIONS					
P	LTR	DESCRIPTION	DATE	DMN	APVD
C	REV PER ECO	17-007041	5-16-17	CT	EO



- CONNECTOR DIMENSIONS ARE PER ARINC 600 SPECIFICATION
- CONTACTS NOT SHOWN IN FRONT & REAR VIEWS FOR CLARITY. SEE SELECTIVE LOADING CHART FOR CONTACT POSITIONS.
- KEYING SHOWN IN POSITION "01" FOR REFERENCE ONLY. SEE TABLE FOR KEYING POSITION. FOR POSITION "00" KEYING SHIPPED UNASSEMBLED.

- 4 WITH CONTACTS FULLY SEATED TO THE REAR OF INSERT.
- 5 FOLLOWING CONTACTS AND FILLER PLUGS ARE LOADED AS SHOWN:  
 SIZE 22 SOCKET CONTACT (POSTED): TE P/N 211431-4; QTY: 446  
 SIZE 12 PIN CONTACT (POSTED): TE P/N 1-448140-8; QTY: 4  
 SIZE 16 PIN CONTACT (POSTED): TE P/N 1-448139-4; QTY: 2  
 SIZE 22 FILLER PLUG: TE P/N 1663767-1; QTY: 154  
 SIZE 20 FILLER PLUG: TE P/N 1663767-2; QTY: 4  
 SIZE 16 FILLER PLUG: TE P/N 1663767-3; QTY: 1  
 SIZE 5 FILLER PLUG: TE P/N 1484205-1; QTY: 2
- 6 FOLLOWING CONTACTS AND FILLER PLUGS ARE LOADED AS SHOWN:  
 SIZE 22 STAMPED & FORMED CONTACTS (NOT-REMOVABLE) QTY: 446  
 SIZE 12 PIN CONTACT (POSTED): TE P/N 1-448140-8; QTY: 4  
 SIZE 16 PIN CONTACT (POSTED): TE P/N 1-448139-4; QTY: 2  
 SIZE 22 FILLER PLUG: TE P/N 1663767-1; QTY: 154  
 SIZE 20 FILLER PLUG: TE P/N 1663767-2; QTY: 4  
 SIZE 16 FILLER PLUG: TE P/N 1663767-3; QTY: 1  
 SIZE 5 FILLER PLUG: TE P/N 1484205-1; QTY: 2
- 7 TE LOGO APPEARS IN THIS APPROXIMATE LOCATION ON MACHINED FROM BILLET SHELLS.
8. ASSEMBLY SHOWN WITH DIE CAST SHELL. ASSEMBLIES WITH MACHINED SHELLS MAY VARY SLIGHTLY IN APPEARANCE.

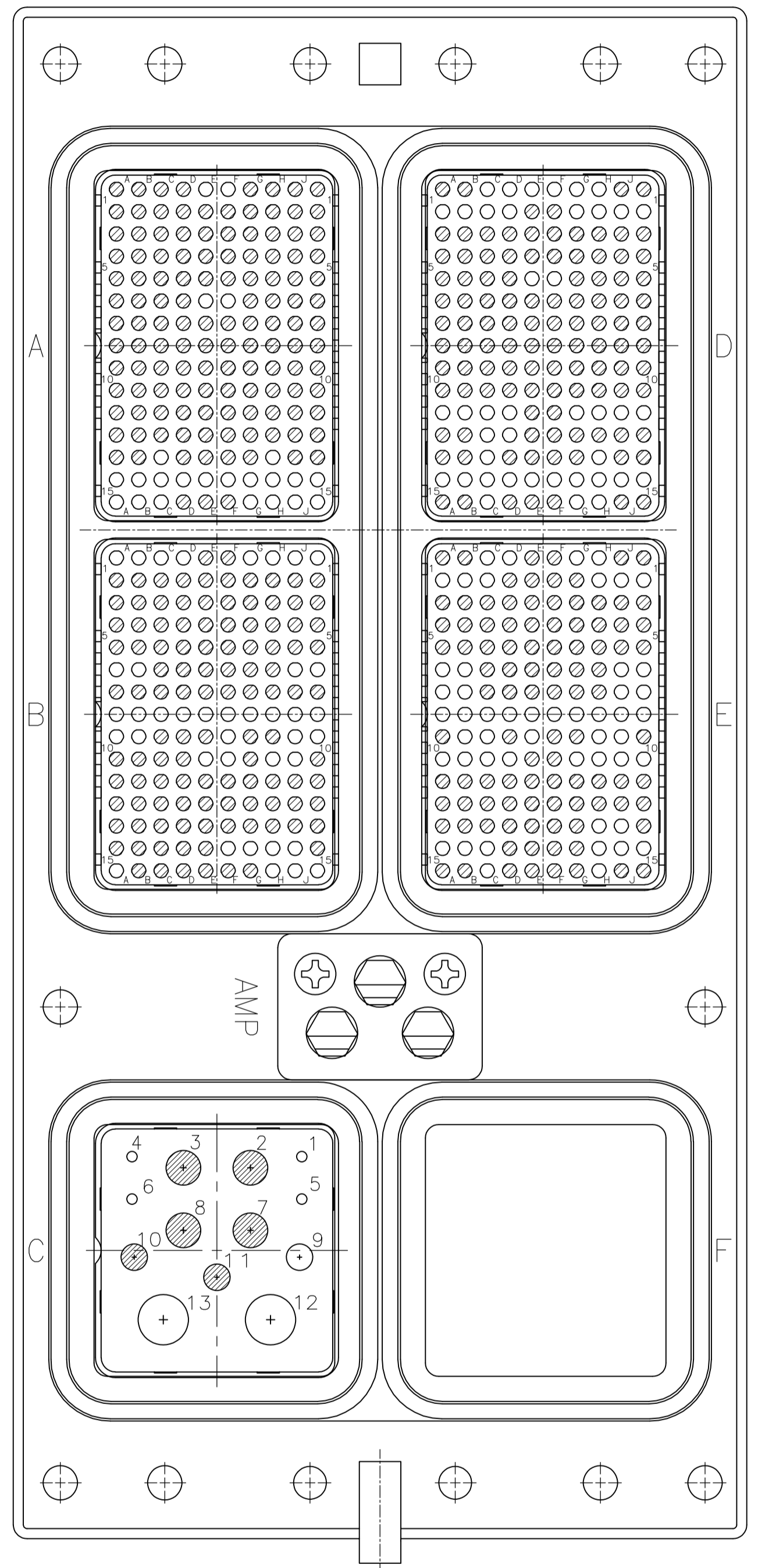
COMPONENT	MATERIAL	FINISH
SHELL	DIE CAST ALUMINUM PER ASTM-B-85 OR ASTM B211 6061-T6 OR ASTM B209 2024-T4	ELECTROLESS NICKEL
RETENTION PLATES	ALUMINUM ALLOY PER ASTM-B-209	ELECTROLESS NICKEL
SCREWS AND LOCKWASHERS	STEEL OR STAINLESS STEEL	CHROMATE OVER ZINC OR PASSIVATED
POLARIZING KEYS	ZINC ALLOY PER ASTM-B-86	-
150 & 13C2 INSERTS	THERMOSET	-
FILLER PLUGS	TEFLON	-
POLARIZING KEY RETAINING PLATE	ALUMINUM ALLOY PER ASTM-B-209	BLUE ANODIZED PER MIL-A-8625
BLANK INSERT	ALUMINUM ALLOY PER ASTM-B-209	ELECTROLESS NICKEL

REMARKS		KEYING POSITION	PART NUMBER
6 WITH STAMP & FORMED SZ 22 CONTACTS		"05"	1757814-2
5 WITH REMOVABLE SZ 22 CONTACTS		"05"	1757814-1

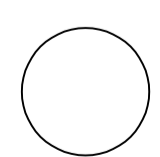

THIS DRAWING IS A CONTROLLED DOCUMENT.		DMN C.C.THOMAS 7-14-06
DIMENSIONS: INCHES		CHK K.HOGAN 7-14-06
TOLERANCES UNLESS OTHERWISE SPECIFIED:		APVD K.HOGAN 7-14-06
0 PLC ± -	1 PLC ± -	NAME
2 PLC ± -	3 PLC ± -	RCPT ASSY, SIZE 3, ARINC 600 (150/150/13C2/150/150/BLANK) SELECTIVE LOADING
4 PLC ± -	ANGLES ± -	APPLICATION SPEC
MATERIAL SEE TABLE	FINISH SEE TABLE	WEIGHT 0
CUSTOMER DRAWING		SCALE 3:2 SHEET 1 OF 2 REV C


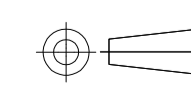
REVISIONS				
P	LTR	DESCRIPTION	DATE	APP'D
-		SEE SHEET 1	-	-



SELECTIVE LOADING DETAIL  
 SCALE 2:1  
 MATING FACE VIEW

 = CONTACT INSTALLED

 = FILLER PLUG INSTALLED (-1)  
 = EPOXY FILLED (-2)  
 (150 MONOBLOCK ONLY)

THIS DRAWING IS A CONTROLLED DOCUMENT.		DWG C.C.THOMAS 7-14-06	 TE Connectivity
		CHK K.HOGAN 7-14-06	
DIMENSIONS: INCHES		NAME RCPT ASSY, SIZE 3, ARINC 600 (150/150/13C2/150/150/BLANK) SELECTIVE LOADING	
		TOLERANCES UNLESS OTHERWISE SPECIFIED: 0. PLC ± - 1. PLC ± - 2. PLC ± - 3. PLC ± - 4. PLC ± - ANGLES ± -	
MATERIAL SEE TABLE	FINISH SEE TABLE	WEIGHT -	SIZE A1 CAGE CODE 00779 DRAWING NO 1757814 RESTRICTED TO -
CUSTOMER DRAWING		SCALE 3:2	SHEET 2 OF 2 REV C