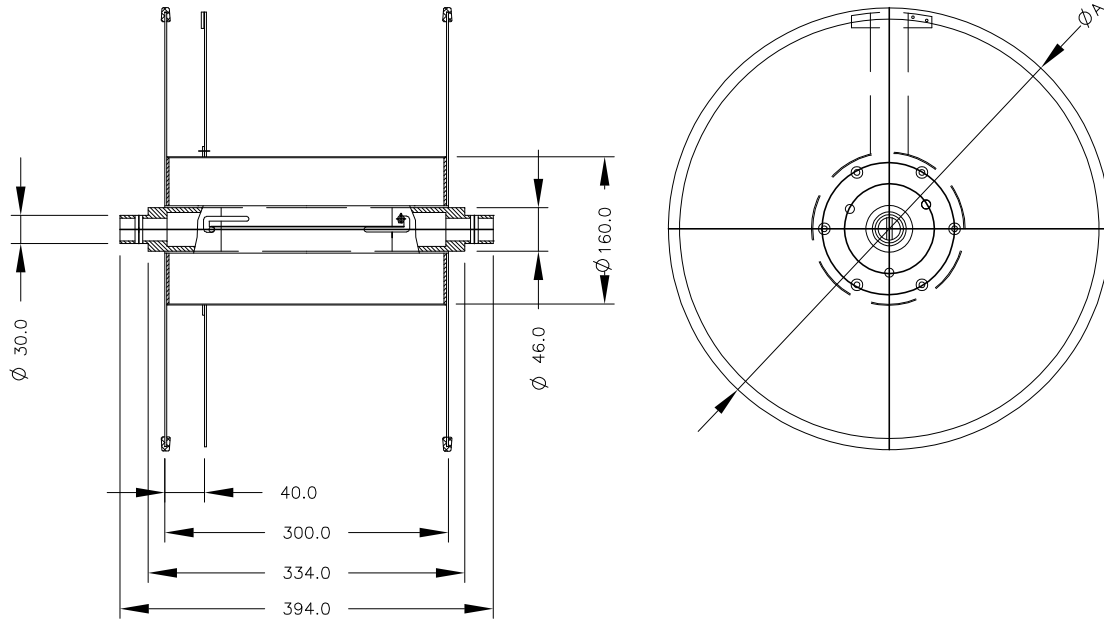


LOC	DIST	REVISIONS					
—	—	P	LTR	DESCRIPTION	DATE	DWN	APVD
		A3		ADD ASSEMBLY 6, 7	12MAR15	KG	DW



TE P/N	ØA	Ø6.0mm CABLE CAPACITY (M)		APPROXIMATE WEIGHT (kg)
		STRAIGHT LAY	RANDOM LAY	
1754515-1	310	301	226	3.27
1754515-2	370	524	393	4.24
1754515-3	460	917	688	4.81
1754515-4	510	1166	874	7.67
1754515-5	710	2389	1791	15.10
1754515-6	850	3518	2638	20.2
1754515-7	1000	4958	3718	29.2

1. DIMENSIONS ARE FOR REFERENCE ONLY.

- 2 MATERIAL: ALUMINUM 6061-T6.
- 3 FINISH: POLYESTER EPOXY, COLOR RAL 6006.

RELEASED FOR PUBLICATION

ALL RIGHTS RESERVED.

THIS DRAWING IS UNPUBLISHED.

© COPYRIGHT - By -

DIMENSIONS: mm	DWN K. GLATFELTER	23MAR2005	MATERIAL	2 -	FINISH	3 -
	CHK J. SHIPE	08MAY2005	TE Connectivity			
TOLERANCES UNLESS OTHERWISE SPECIFIED:	APVD D. BAECHTLE	08MAY2005				
0 PLC ± -	PRODUCT SPEC	—	SIZE	A4	CAGE CODE	00779
1 PLC ± -	APPLICATION SPEC	—	DRAWING NO	C-1754515		RESTRICTED TO
2 PLC ± -	WEIGHT	—	CUSTOMER DRAWING			
3 PLC ± -			SCALE	NTS	SHEET	1 OF 1
4 PLC ± -						REV A3
ANGLES ± -						