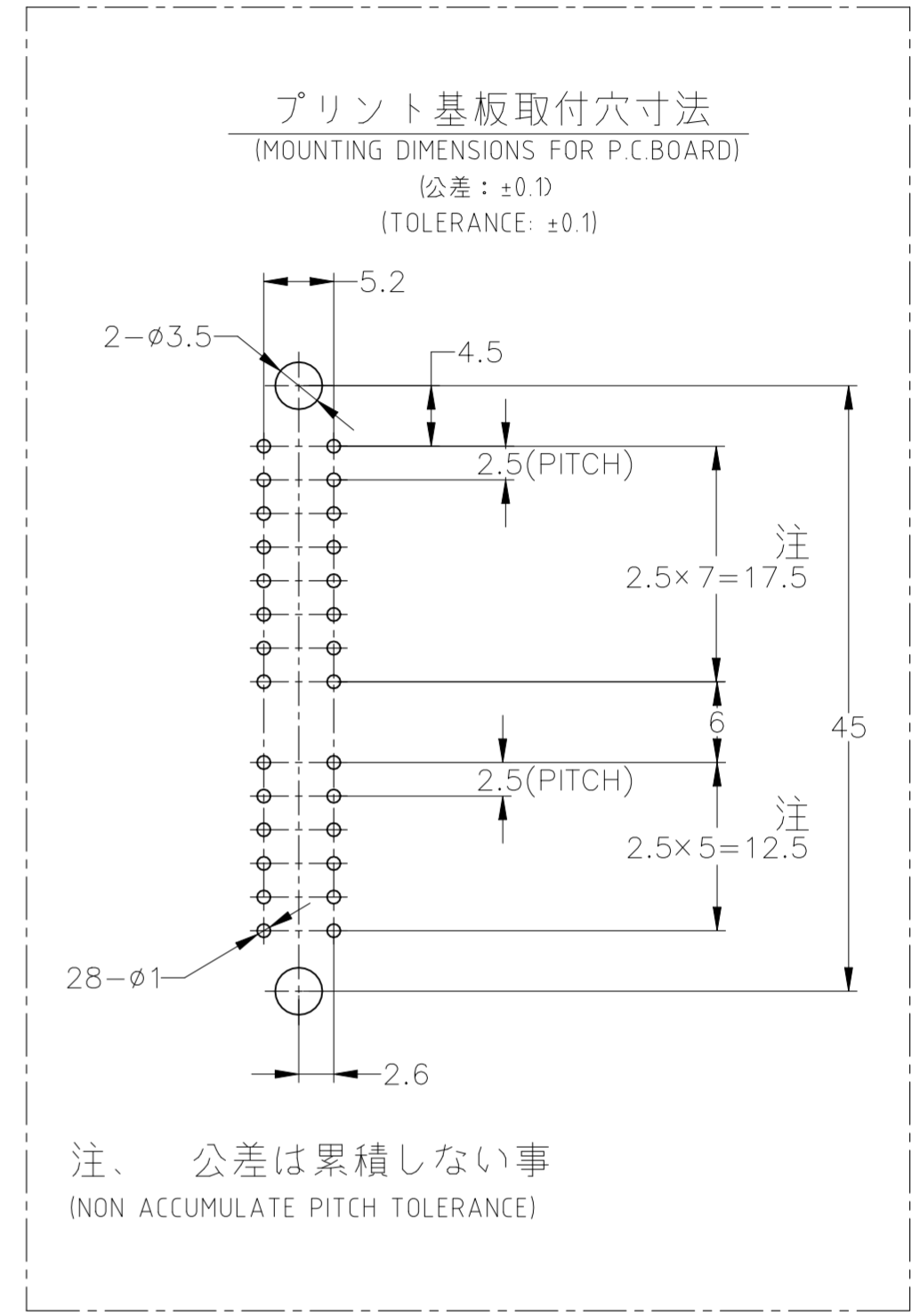
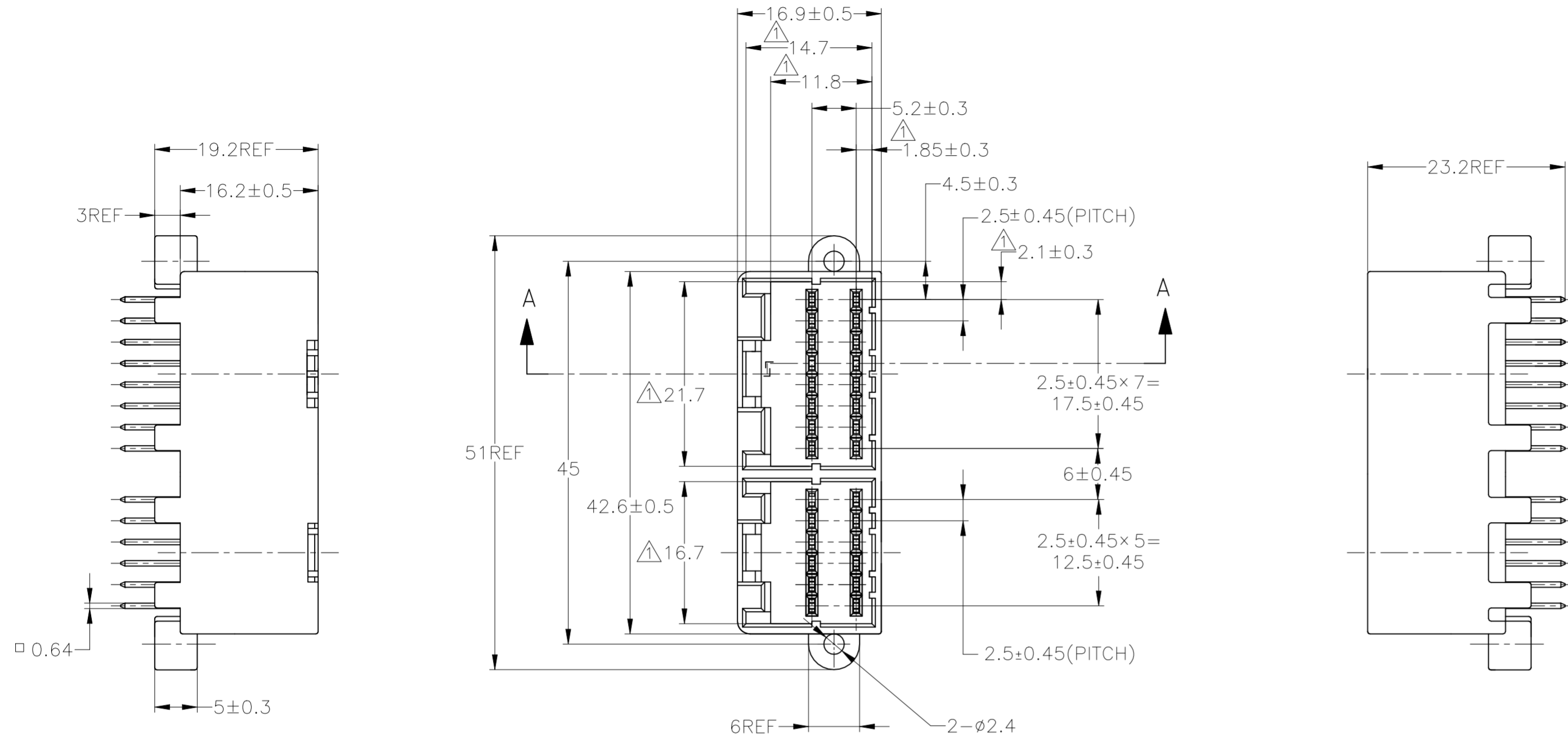
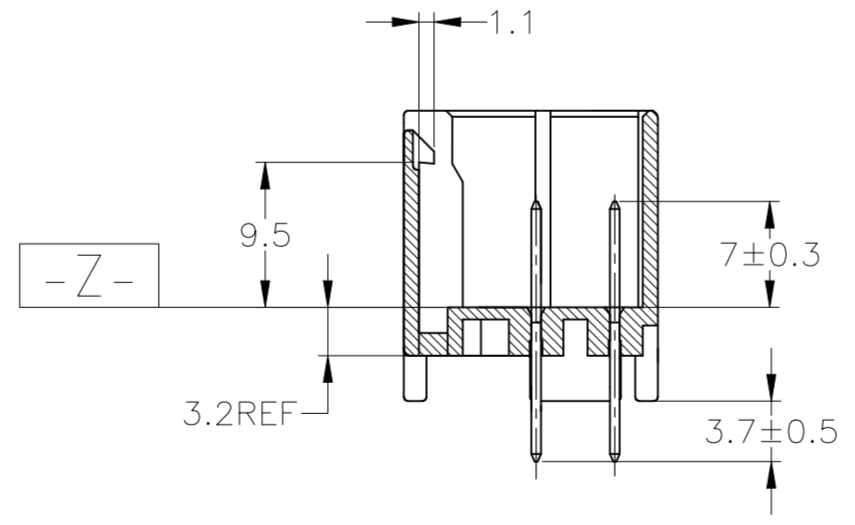


REVISIONS					
P	LTR	DESCRIPTION	DATE	DWN	APVD
	D5	REVISED ECR-23-185274	14SEP2023	AG	RK



- △ TO BE MEASURED WITHIN 2mm FROM [-Z-]
- 2. APPLICABLE P.C.BOARD THICKNESS; 1.6mm
- 3. THE MATING COUNTERPART PART NUMBER; 174045,174046
- 4. RECOMMENDED MOUNTING SCREW; 3mm DIA, 6mm LENGTH TAPPING SCREW SPECIFIED IN JIS B1115,B1122. (TIGHTENING TORQUE;0.8N-M MAX.)

- △ [-Z-]面より2mmの範囲で測定
- 2. 適用プリント基板厚; 1.6mm
- 3. 嵌合相手ハウジング型番; 174045,174046
- 4. 推奨取付ネジ; JIS B115,B1122 タッピンネジ、ナベ2種 呼び径3、長さ6mm (締付けトルク0.8N-M以下)



OBSOLETE	SELECTIVE-TIN	PRE-TIN	BLACK	2-174979-2
OBSOLETE		PRE-TIN	BLUE	174979-5
		PRE-TIN	GREEN	174979-4
		PRE-TIN	BLACK	174979-2
OBSOLETE	SELECTIVE-TIN (MATTE)	SELECTIVE-TIN (BRIGHT)	BLACK	174979-1
	SOLDERING SIDE 半田付け部	CONTACT SIDE 接触部側	COLOR 色	PART NUMBER 製品型番
	CONTACT FINISH コンタクト仕上			

THIS DRAWING IS A CONTROLLED DOCUMENT.

DIMENSIONS: 単位: 寸 mm

TOLERANCES UNLESS OTHERWISE SPECIFIED: 一般公差

0 PLC ±  
1 PLC ±  
2 PLC ±  
3 PLC ±  
4 PLC ±  
ANGLES ±

MATERIAL 材料: HOUSING: PBT CONTACT: BRASS

FINISH 仕上: -

DWN: M.SUGAWARA 05JUL2006  
CHK: T.SHINOHARA 05JUL2006  
APVD: K.BETSUI 05JUL2006

NAME 名称: 28POS CAP HOUSING ASSY  
040 SERIES MULTI-LOCK I/O CONN  
VERTICAL TYPE

SIZE: A2 CAGE CODE: 00779 DRAWING NO: 174979

WEIGHT: 0.000000

CUSTOMER DRAWING

SCALE: 2:1 SHEET: 1 OF 1 REV: D5