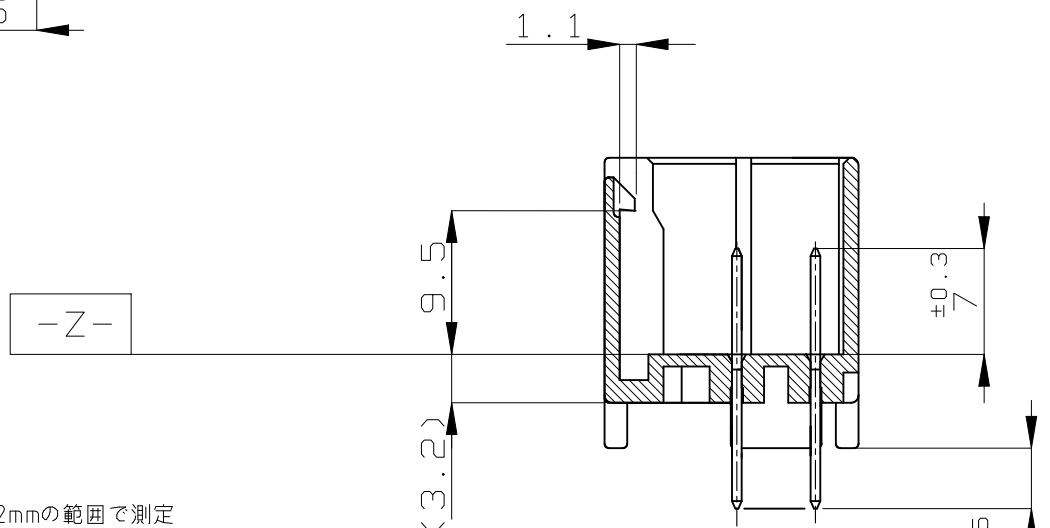
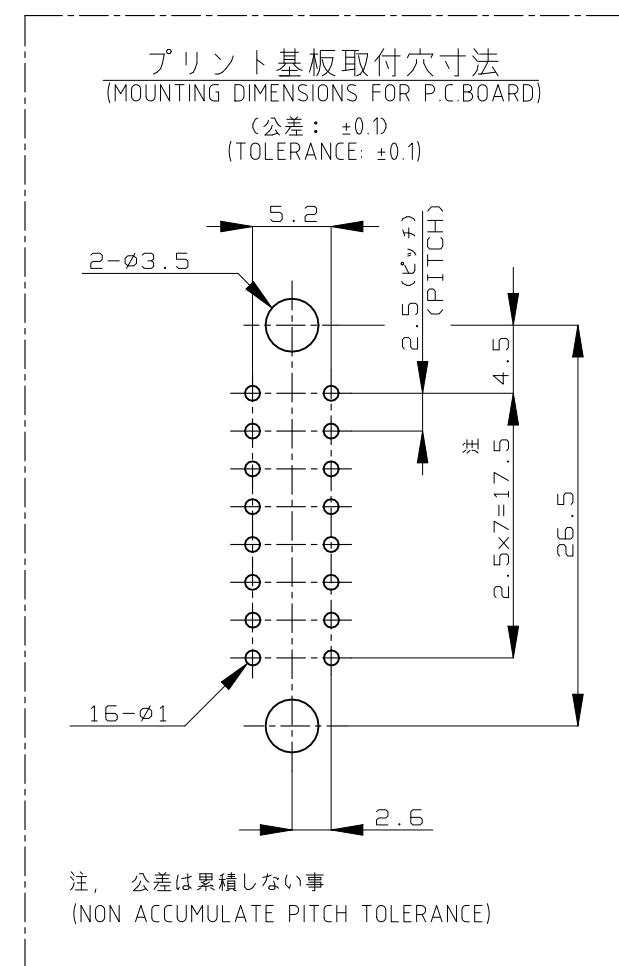
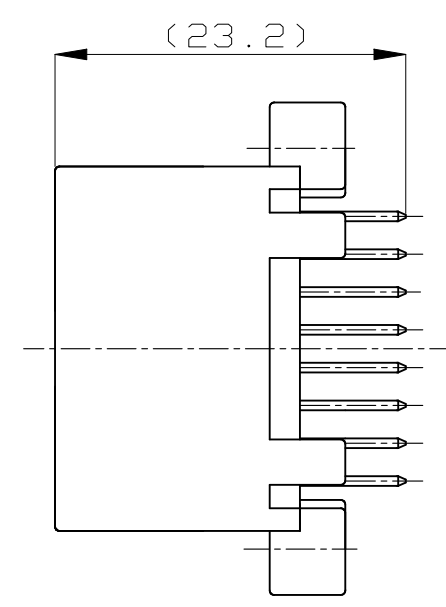
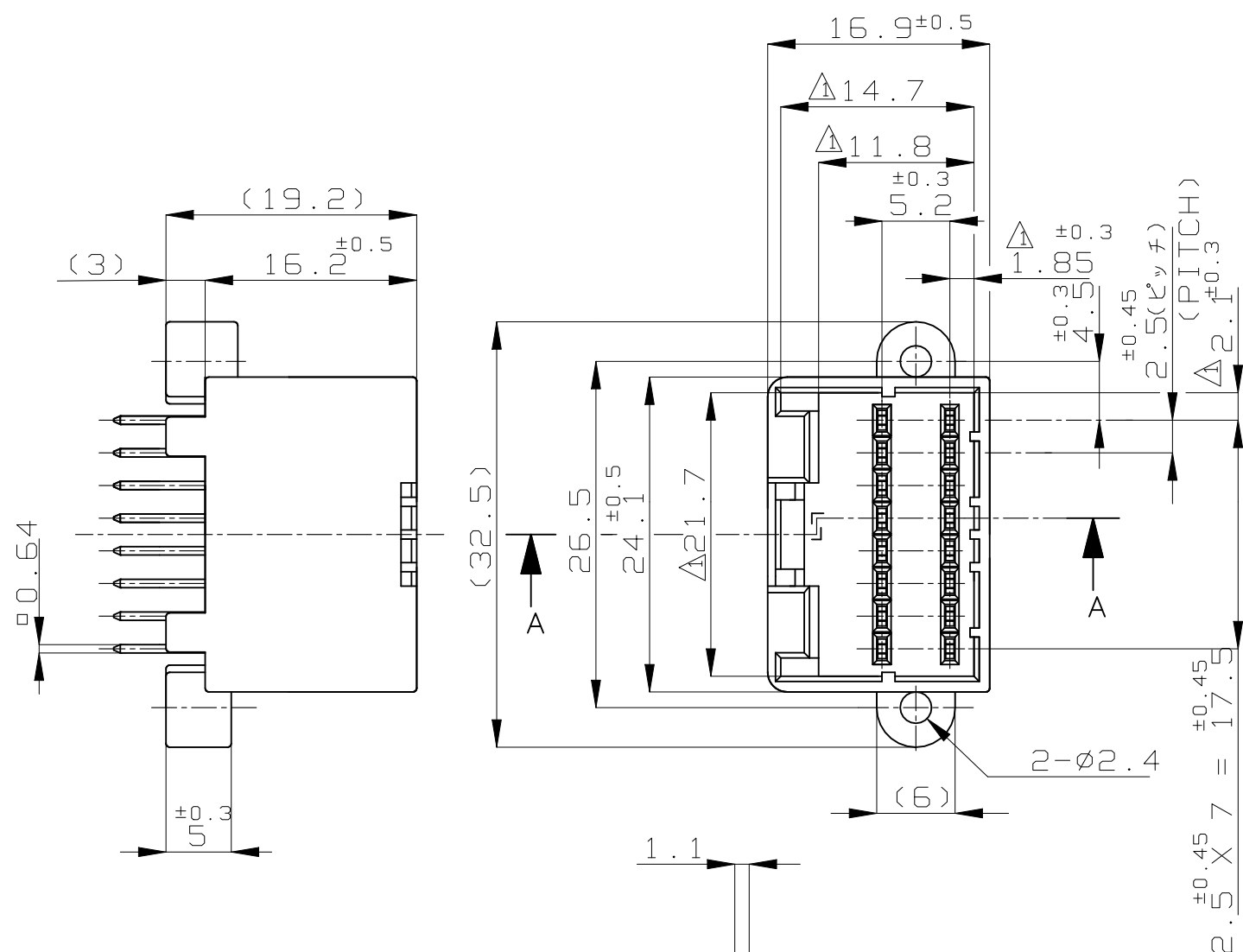


REVISIONS 変更					
P	LTR	DESCRIPTION	DATE	DWN	APVD
	D5	REVISED	ECR-23-185274	14SEP2023	AG RK



- 注:
- △ [-Z-] 面より2mmの範囲で測定
 - 2. 適用プリント基板厚: 1.6mm
 - 3. カン合相手ハウジング型番: 174046
 - 4. 推奨取付ネジ: JIS B1115, B1122 タッピンネジ, ナベ2種
呼び径3, 長さ6mm (締付けトルク0.8N-M以下)

- NOTE:
- △ TO BE MEASURED WITHIN 2mm FROM [-Z-]
 - 2. APPLICABLE P.C.BOARD THICKNESS: 1.6mm
 - 3. THE MATING COUNTERPART PART NUMBER: 174046
 - 4. RECOMMENDED MOUNTING SCREW: 3mmDIA, 6mmLENGTH TAPPING SCREW
SPECIFIED IN JIS B1115, B1122 (TIGHTENING TORQUE: 0.8N-M MAX.)

一般公差
(GENERAL TOLERANCES)

0 < * < 10	: ±0.2
10 < * < 30	: ±0.25
30 < * < 100	: ±0.3
ANGLES	: ±3°

THIS DRAWING IS A CONTROLLED DOCUMENT.

DIMENSIONS: 単位: 耗 mm	TOLERANCES UNLESS OTHERWISE SPECIFIED: 一般公差
0 PLC ± -	1 PLC ± -
2 PLC ± -	3 PLC ± -
4 PLC ± -	ANGLES ± -
MATERIAL 材料	FINISH 仕上
HOUSING: PBT	CONTACT: BRASS

OBSELETE	PRE-TIN	NATURAL	174975-4	
SUPERSEDED	SELECTIVE-TIN	PRE-TIN	2-174975-1	
	PRE-TIN	BLACK	174975-2	
	SELECTIVE-TIN (MATTE)	SELECTIVE-TIN (BRIGHT)	BLACK	174975-1
	SOLDERING SIDE 半田付け部	CONTACT SIDE 接触部側	COLOR	PART NUMBER 製品型番
	CONTACT FINISH コンタクト仕上		色	製品型番

DWN M.KADOSAKI 12OCT05	STE TE Connectivity			
CHK T.SHINOHARA 12OCT05				
APVD K.BETSUI 12OCT05	NAME 名称	16Pos. CAP HOUSING ASS'Y .040 SRS. MULTI-LOCK I/O CONN. (V-TYPE)		
PRODUCT SPEC 製品規格	SIZE	CAGE CODE	DRAWING NO 番号	RESTRICTED TO
APPLICATION SPEC 取付適用規格	A3	00779	G-174975	-
WEIGHT 0.000000	CUSTOMER DRAWING		SCALE 尺度 2:1	SHEET 1 OF 1
			REV D5	