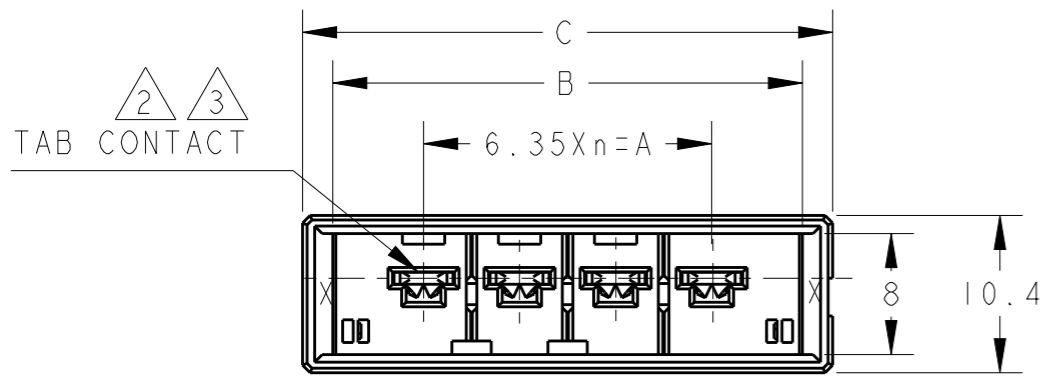
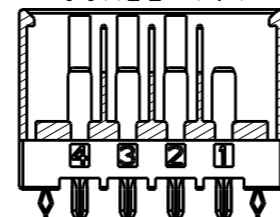


P	LTR	DESCRIPTION	DATE	DWN	APVD
	B	REVISED PER ECR-19-011328	18JUL2019	K.T	E.1

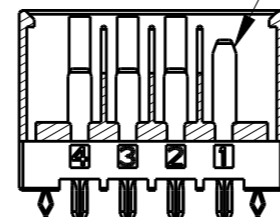


KEY LOCATION VIEW

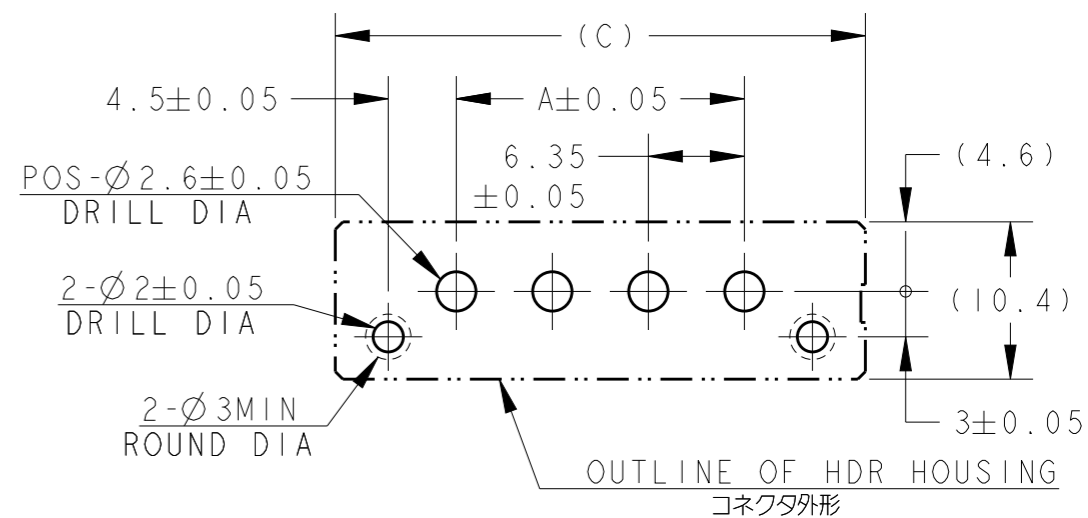
SCALE 1:1



1-1747277-□
2-1747277-□
SEQUENTIAL CONTACT
: ONLY CIRCUIT NO.1

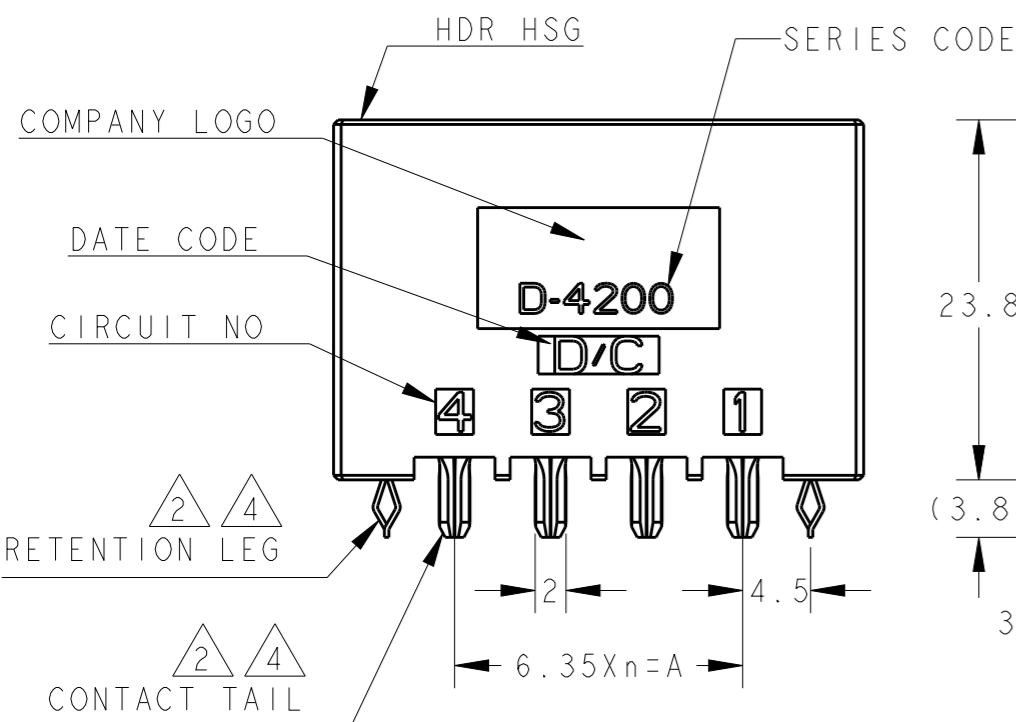


5-1747277-□
6-1747277-□
SEQUENTIAL ITEM



推奨基板取付穴寸法: コネクタ搭載面 (非累積公差)
PC基板厚: 1.6~2.4±0.1

RECOMMEND PC BOARD HOLE PATTERN
: CONNECTOR MOUNT SIDE (NOT ACCUMULATE TOLERANCE)
PC BOARD THICKNESS : 1.6~2.4±0.1



1. MATERIAL: HOUSING: GLASS FILLED THERMO PLASTIC
POLYESTER (94V-0), COLOR: BLACK
CONTACT: COPPER ALLOY
RETENTION LEG: COPPER ALLOY

- ②. FINISH (ALL OVER): NICKEL PL. 1.3μm MIN
- ③. FINISH (CONTACT AREA): GOLD PL. 0.38μm MIN AFTER ②
- ④. FINISH (CONTACT TAIL & RETENTION LEG)
: TIN PL. 2μm MIN AFTER ②

AS SHOWN: 1-1747277-4 (4POS: X-KEY)

4	3	KEY LOCATION	C	B	A	KEY	PART NUMBER
4	3		35.05	31.05	19.05	Y	2-1747277-4 6-1747277-4
4	3		35.05	31.05	19.05	X	1-1747277-4 5-1747277-4
3	2		28.70	24.70	12.70	Y	2-1747277-3 6-1747277-3
3	2		28.70	24.70	12.70	X	1-1747277-3 5-1747277-3
2	1		22.35	18.35	6.35	Y	2-1747277-2
2	1		22.35	18.35	6.35	X	1-1747277-2

THIS DRAWING IS A CONTROLLED DOCUMENT.		DWN T. KUDO 02JUL2004	TE Connectivity	
DIMENSIONS: 単位: 概 mm		CHK D. MITSUGI 02JUL2004		
TOLERANCES UNLESS OTHERWISE SPECIFIED: 一般公差 ±0.3, ±3°		APVD D. MITSUGI 02JUL2004	NAME 名称 DYNAMIC D4200S 6.35mm PITCH	
0 PLC ± 1 PLC ±0.5 2 PLC ±0.13 3 PLC ±0.013 4 PLC ±0.0001 ANGLES ±		PRODUCT SPEC 製品規格 108-78182	HDR ASSY (V-TYPE) 2-4POS	
MATERIAL 材料 material_2		APPLICATION SPEC 取付適用規格 114-5369	SIZE A3	CAGE CODE 00779
FINISH 仕上 finish_spec_2		WEIGHT -	DRAWING NO 番号 C-1747277	RESTRICTED TO
CUSTOMER DRAWING			SCALE 尺度 2:1	SHEET 1 OF 1
			REV B	