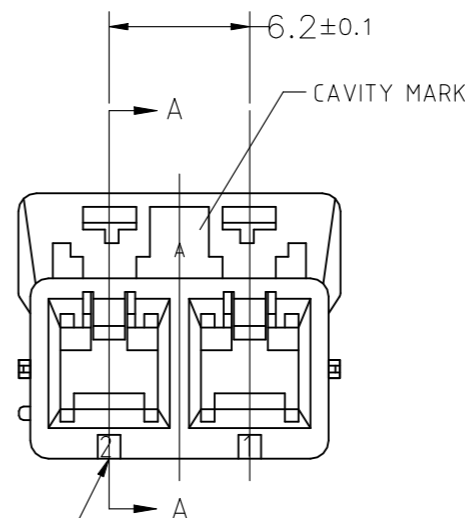
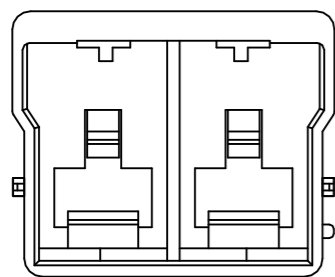
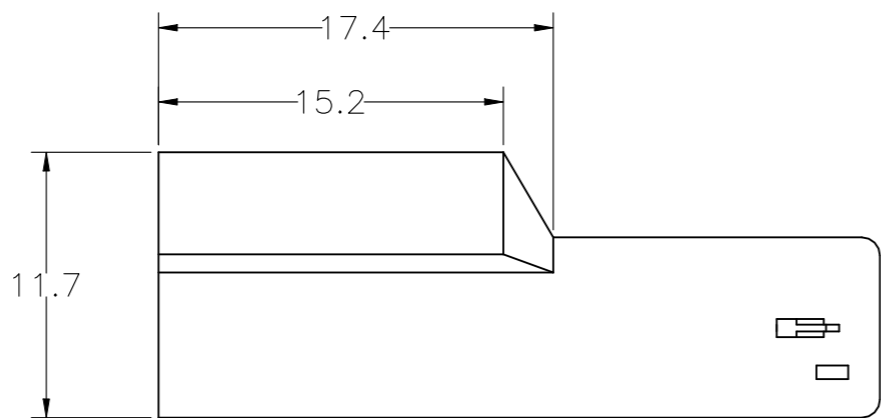
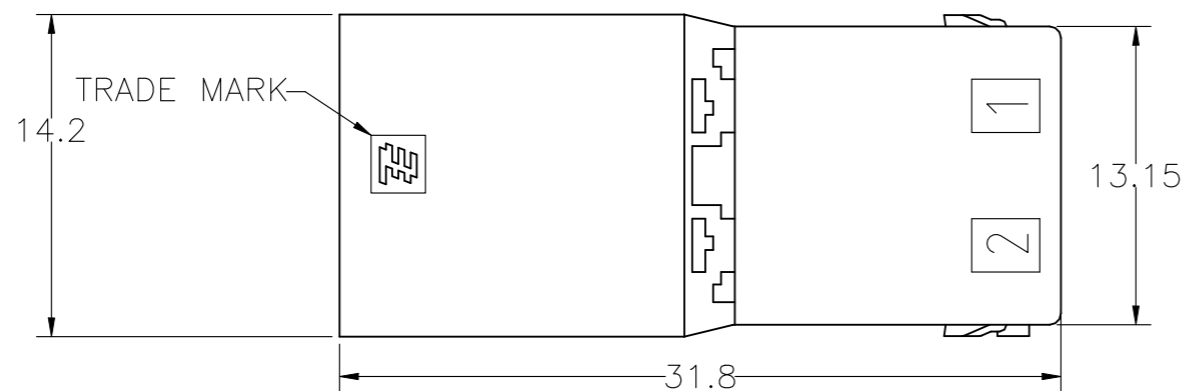
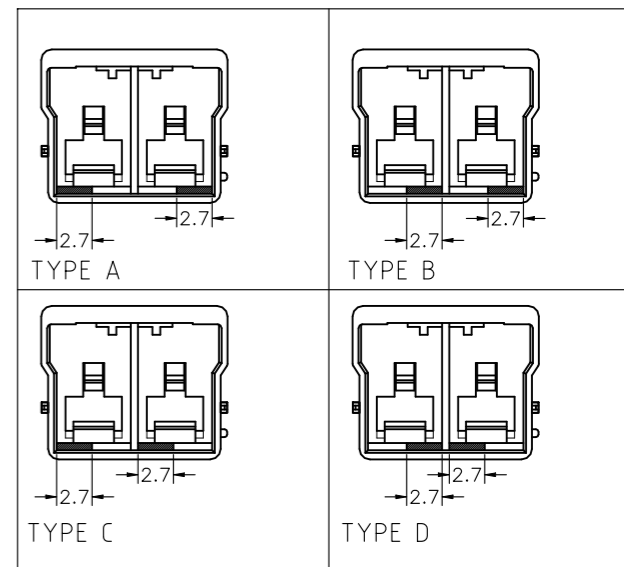


REVISIONS 変更				
P	LTR	DESCRIPTION	DATE	DWN APVD
	C	REVISED PER ECR-19-008563	22DEC2020	SC D.Z



TYPE OF KEYING



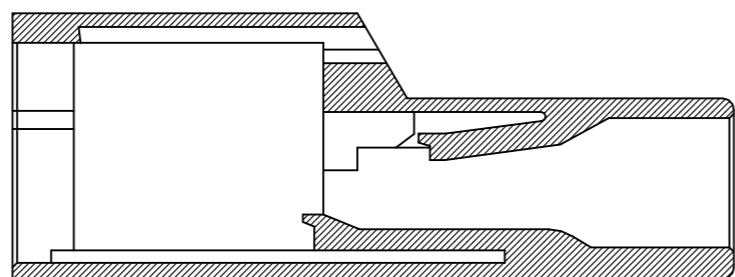
- 注) 1.一般公差:±0.25  
 2.材料: 66ナイロン ガラス無(UL94V-0)  
 3.適用タブコンタクト製品型番: 1746973-1  
 1746974-1

- △かん合相手製品型番  
 プラグハウジング: TABLE参照のこと  
 リセコンタクト: 1746971-1  
 1746972-1

- NOTES)  
 1.GENERAL TOLERANCE:±0.25  
 2.MATERIAL:66 NYLON NON-GLASS FILLED (UL94V-0)  
 3.APPLICABLE TAB CONTACT P/N : 1746973-1  
 1746974-1

- △ MATING CONN. P/N  
 PLUG HOUSING:SEE TABLE  
 REC CONTACT ;1746971-1  
 1746972-1

断面 A-A  
SECT A-A



1746975-1	A	NATURAL	1746977-1
△ MATING HSG P/N	KEYING TYPE	COLOR	P/N

THIS DRAWING IS A CONTROLLED DOCUMENT.		DWN A.OISHI 17MAY2004	<b>STE</b> TE Connectivity	
DIMENSIONS: 単位: 耗 mm		CHK N.YAMASAKI 17MAY2004		
TOLERANCES UNLESS OTHERWISE SPECIFIED: 一般公差		APVD S.MANABE 17MAY2004	NAME 名称 GRACE INERTIA CONNECTOR 6.2MM PITCH 2POS CAP HOUSING	
0 PLC ± - 1 PLC ± - 2 PLC ± - 3 PLC ± - 4 PLC ± - ANGLES ± -		PRODUCT SPEC 製品規格 108-5979	DRAWING NO 番号 A3 00779 C-1746977	
MATERIAL 材料 66NYLON(UL94V-0)		FINISH 仕上 -	APPLICATION SPEC 取付適用規格 114-5356	RESTRICTED TO -
		WEIGHT -	SCALE 尺度 3:1	SHEET 1 OF 1
		CUSTOMER DRAWING		REV C