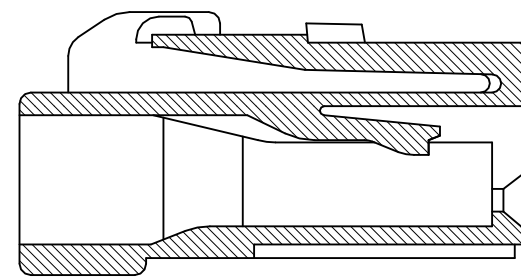
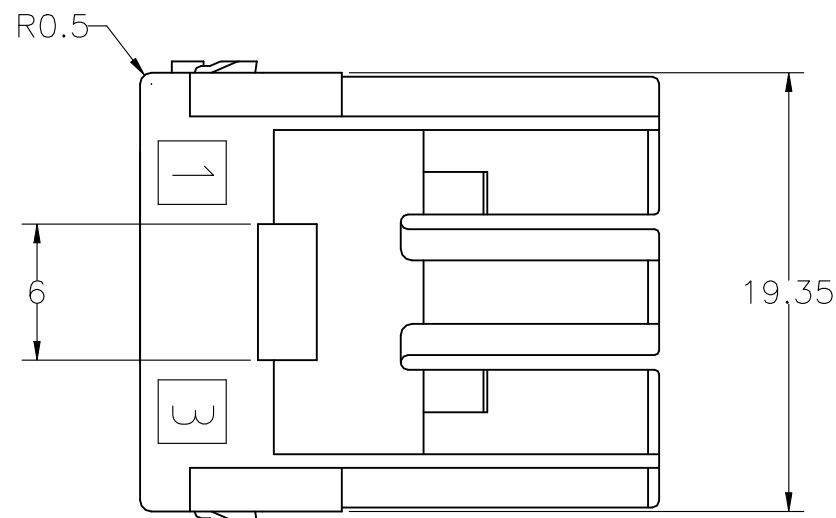
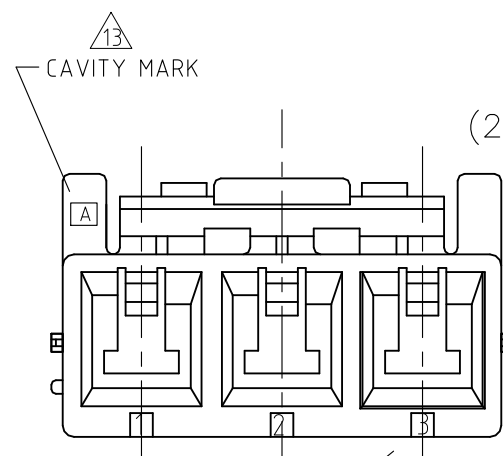
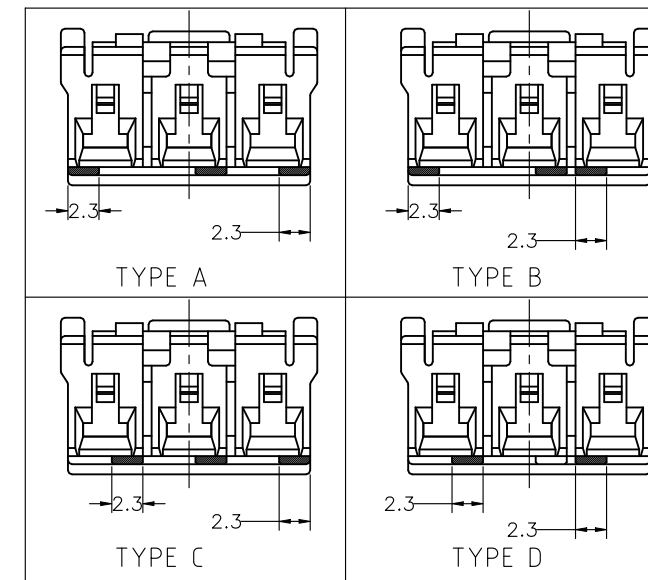


P	LTR	DESCRIPTION	DATE	DWN	APVD
B		REVISED PER ECR-19-008563	22DEC2020	SC	D.Z



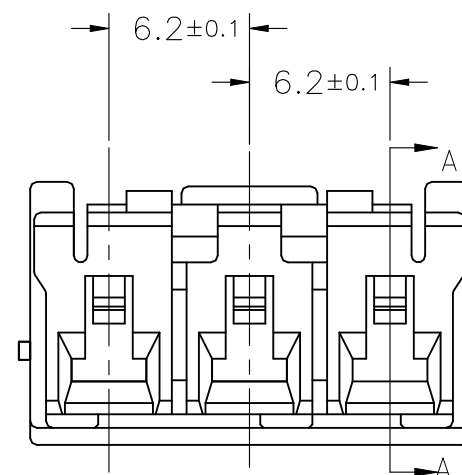
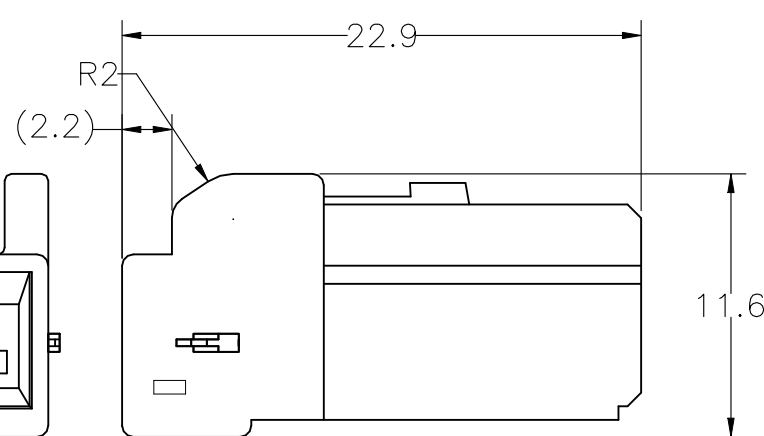
断面 A-A  
SECT A-A

TYPE OF KEYING

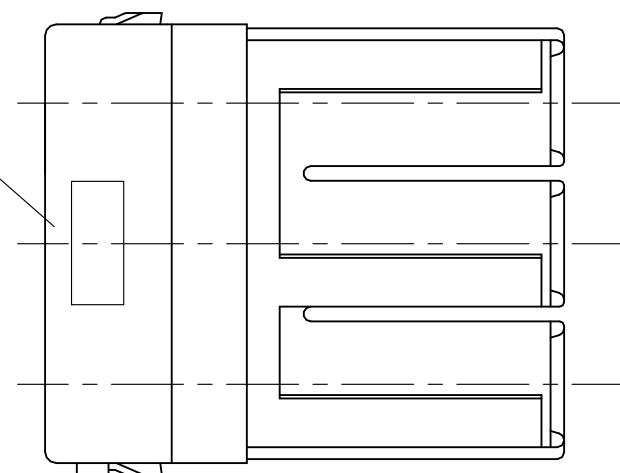


CAVITY MARK

回路番号  
CIRCUIT NO.



TRADE MARK



- 注) 1.一般公差:±0.25  
 2.材料: 66ナイロン ガラス無(UL94V-0)  
 3.かん合相手製品型番  
 キャップハウジング: TABLE参照のこと  
 リセコンタクト: 1746971-1  
 1746972-1

NOTES)

- 1.GENERAL TOLERANCE:±0.25  
 2.MATERIAL:66 NYLON NON-GLASS FILLED (UL94V-0)  
 3.MATING CONN. P/N  
 CAP HOUSING:SEE TABLE  
 REC CONTACT ;1746971-1  
 1746972-1

1746978-1	A	NATURAL	1746976-1
MATING HSG P/N	KEYING TYPE	COLOR	P/N

THIS DRAWING IS A CONTROLLED DOCUMENT.		DWN A.OISHI 17MAY2004	<b>STE</b> TE Connectivity	
DIMENSIONS: 単位: 耗 mm		CHK N.YAMASAKI 17MAY2004		
TOLERANCES UNLESS OTHERWISE SPECIFIED: 一般公差		APVD S.MANABE 17MAY2004	NAME 名称 GRACE INERTIA CONNECTOR 6.2MM PITCH 3POS PLUG HOUSING	
0 PLC ± - 1 PLC ± - 2 PLC ± - 3 PLC ± - 4 PLC ± - ANGLES ± -		PRODUCT SPEC 製品規格 108-5979	SIZE A3	
MATERIAL 材料 66NYLON(UL94V-0)		FINISH 仕上 -	APPLICATION SPEC 取付適用規格 114-5356	CAGE CODE 00779
		WEIGHT -	DRAWING NO 番号 1746976	RESTRICTED TO -
		CUSTOMER DRAWING		SCALE 尺度 3:1
				SHEET 1 OF 1
				REV B