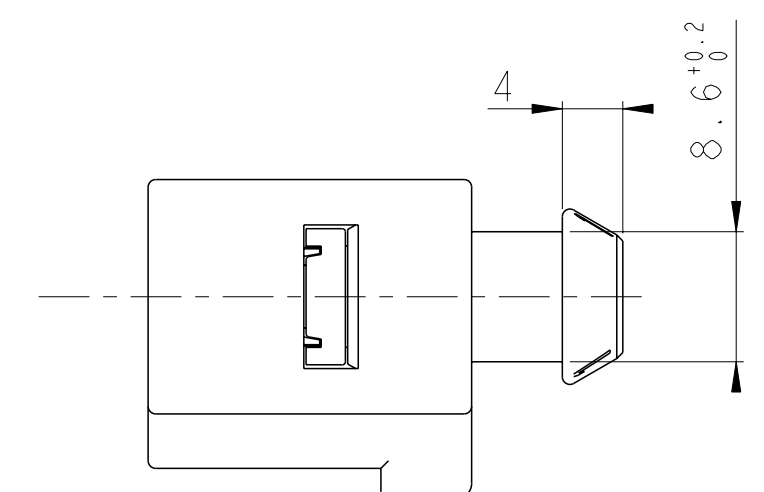
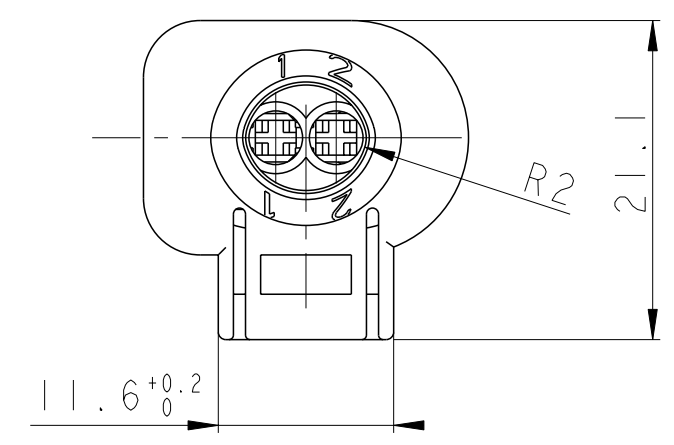
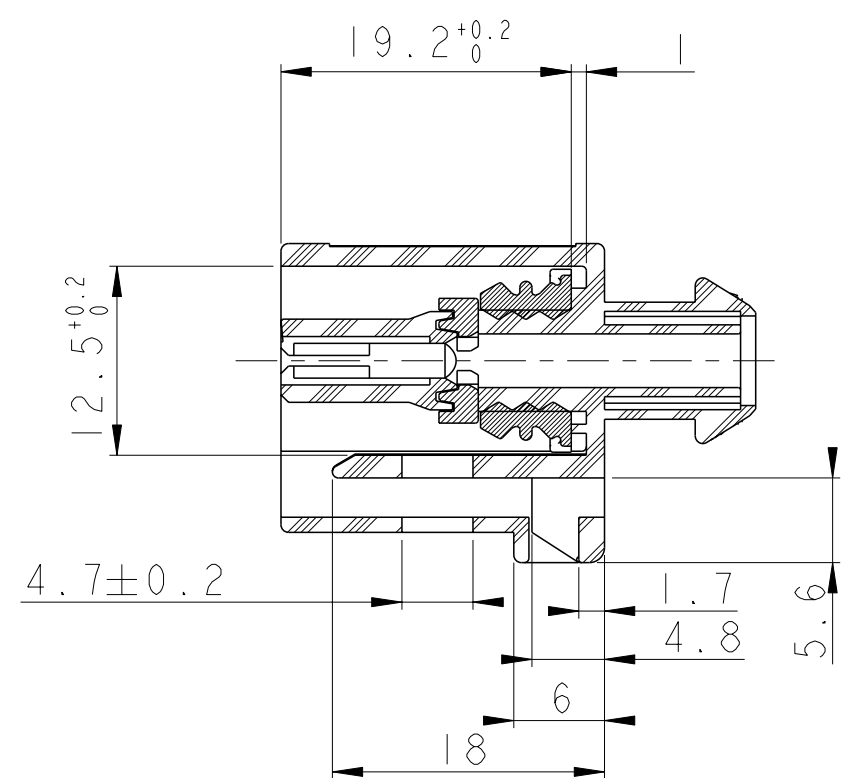
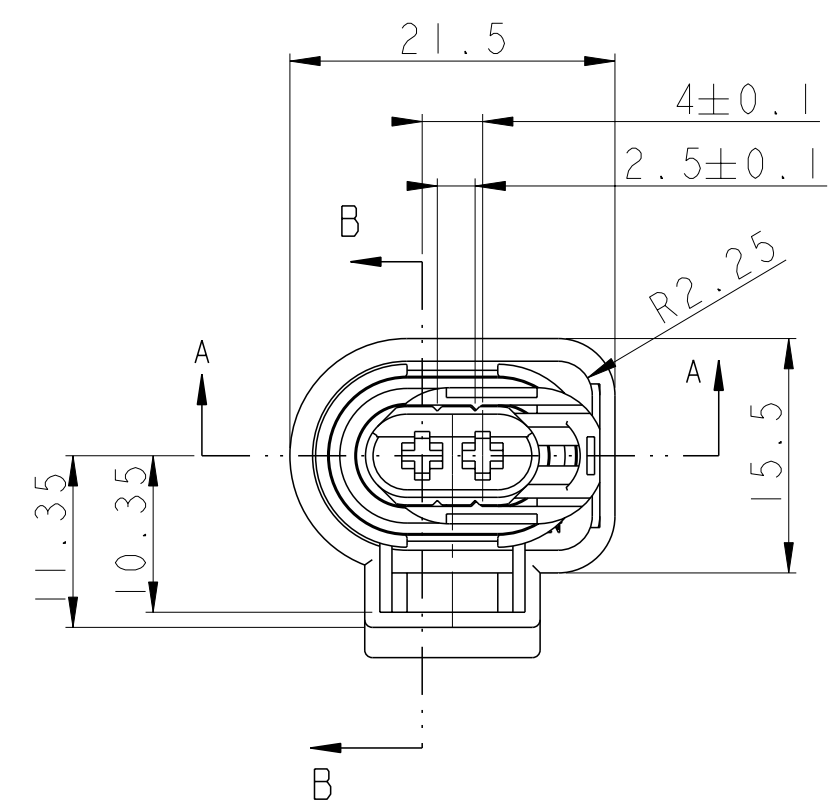
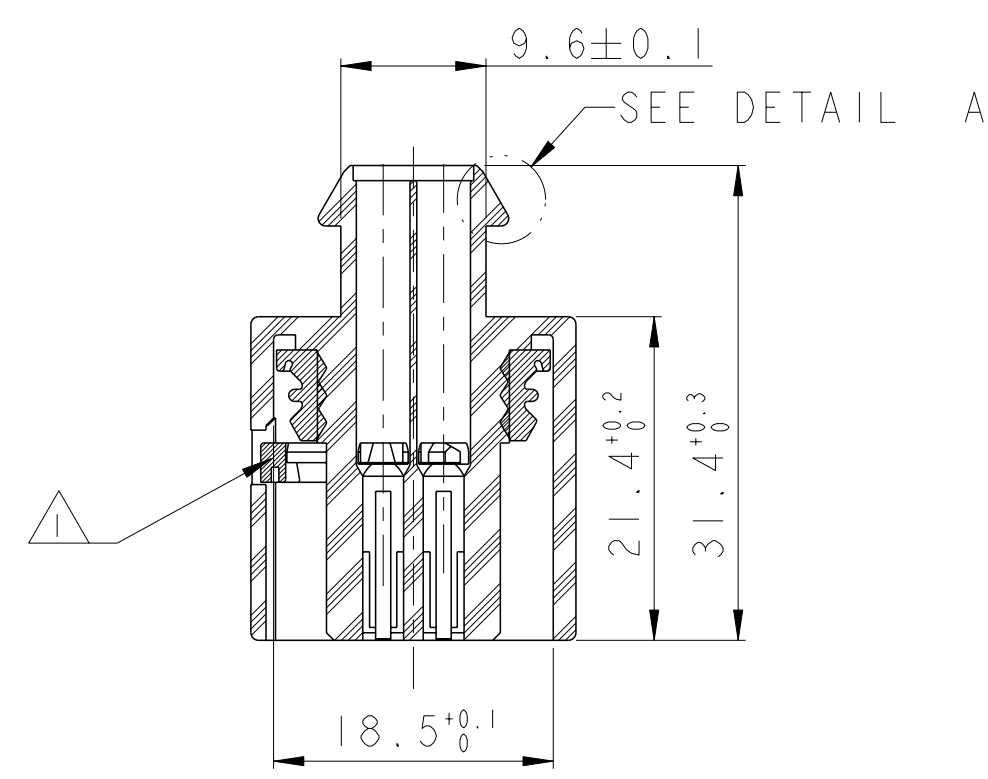
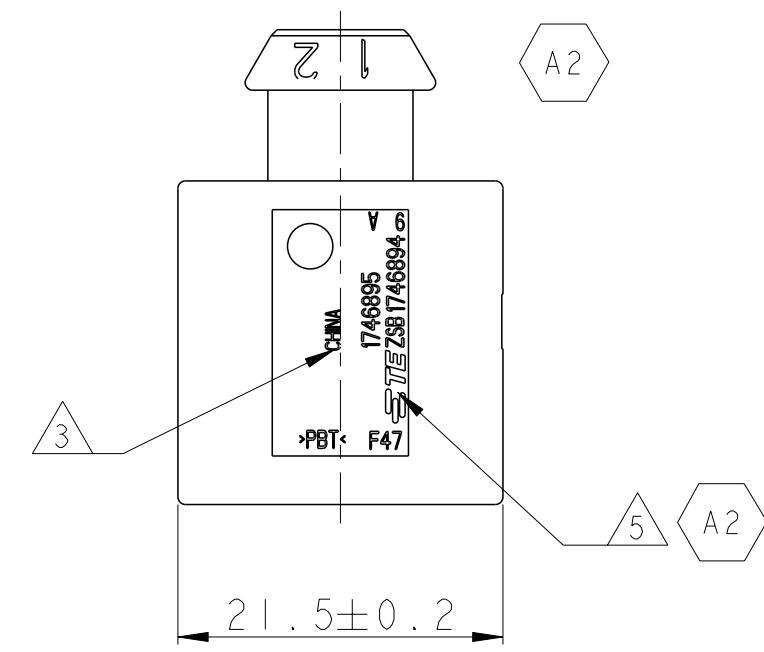


THIS DRAWING IS UNPUBLISHED. RELEASED FOR PUBLICATION 20  
 © COPYRIGHT 20 BY - ALL RIGHTS RESERVED.

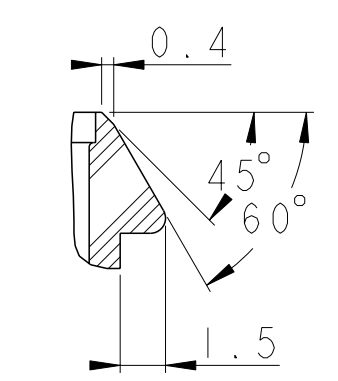
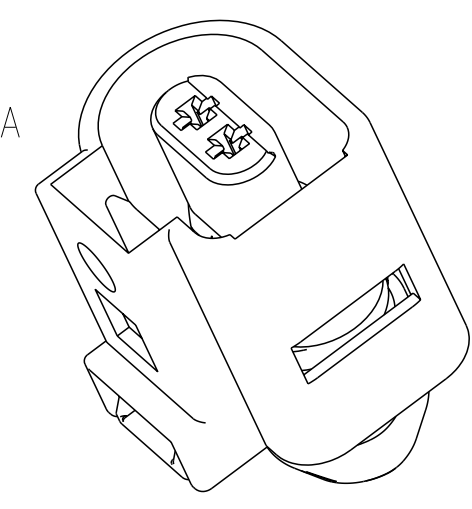
REVISIONS				
P	LTR	DESCRIPTION	DATE	APVD
A		ADD PART NO(ECO-06-000991)	20DEC2005	S.X K.O
A1		CORRECT CODE IDENTIFICATION	14DEC2006	R.Z K.O
A2		CHANGE MARK ECR-16-012797	29SEP2016	C.N I.Y



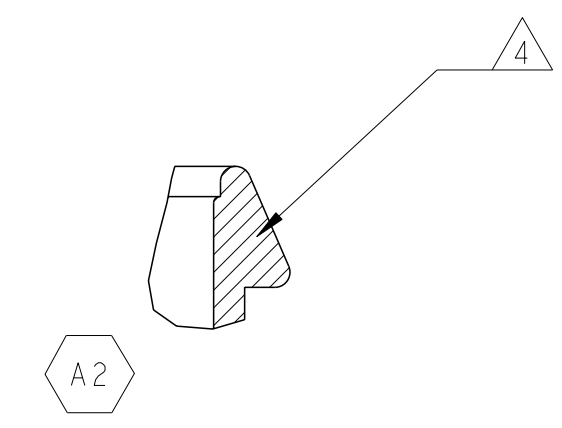
SECTION B-B



SECTION A-A



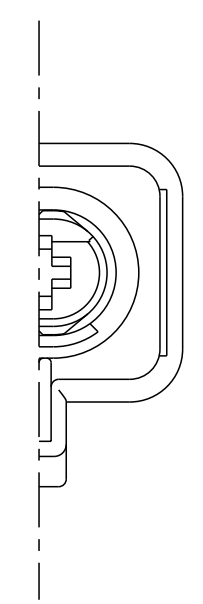
DETAIL A SCALE 4:1



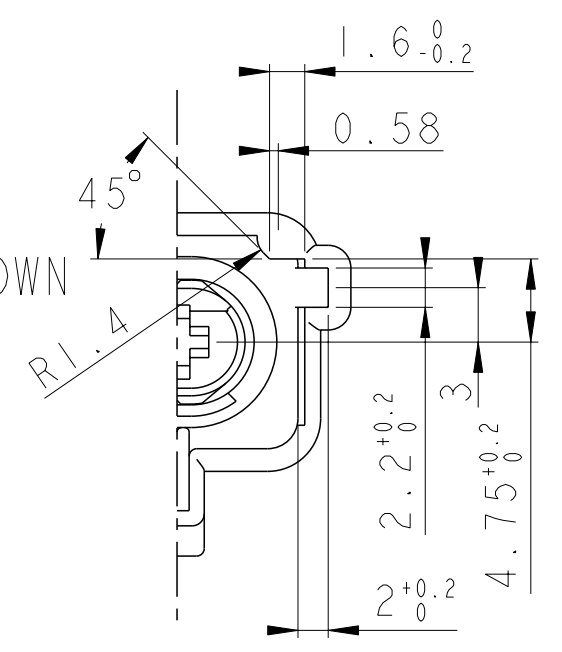
DETAIL A SCALE 4:1

COADINGS

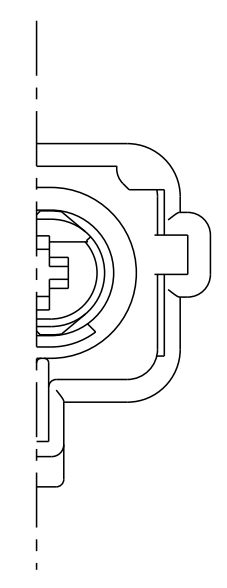
I BLACK



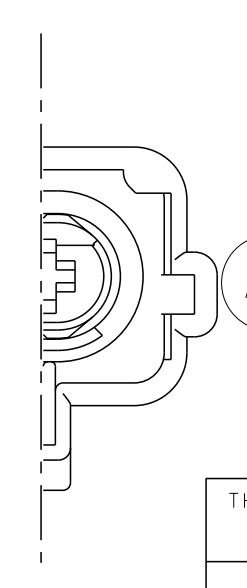
II DARK BROWN



III RED



IV ORANGE



NOTES

- 1 SHOWN AS SUPPLIED:RETAINER IN PRE-LOCKED POSITION.
- 2 BULK PACKAGED
- 3 COUNTRY MARK IS NOT APPLIED FOR 1746894-5
- 4 NEW SHAPE APPLIED FOR NEW MOLD AND MOLD REPLACEMENT
- 5 TE LOGO DEVIATION FOR OLD MOLD

CODING	ASSY NO	DESCRIPTION	ITEM NO
I	1746894-1	MT2 RD SEAL 2POSN PLUG HSG ASSY	1
II	1746894-2	MT2 RD SEAL 2POSN PLUG HSG ASSY	2
III	1746894-3	MT2 RD SEAL 2POSN PLUG HSG ASSY	3
IV	1746894-4	MT2 RD SEAL 2POSN PLUG HSG ASSY	4
I	1746894-5	MT2 RD SEAL 2POSN PLUG HSG ASSY	5

THIS DRAWING IS A CONTROLLED DOCUMENT.

DWN	XP_HE	13FEB2004
CHK	N_SAI	13FEB2004
APVD	N_SAI	13FEB2004

PRODUCT SPEC: 108-18179  
 APPLICATION SPEC: -  
 WEIGHT: -  
 CUSTOMER DRAWING

**STE** TE Connectivity

NAME: MT2 RD SEAL 2POSN PLUG HSG ASSY  
 SIZE: A2 CAGE CODE: 00779 DRAWING NO: C-1746894  
 RESTRICTED TO: -

SCALE: 2:1 SHEET: 1 OF 1 REV: A2