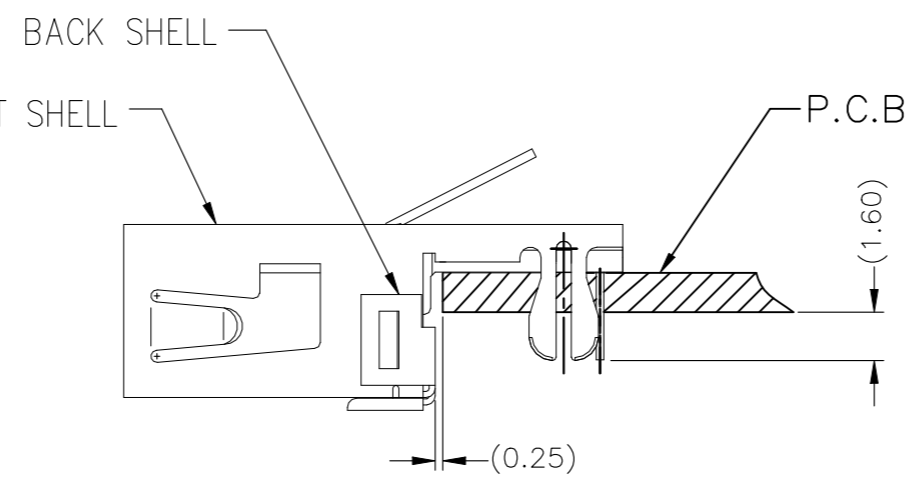
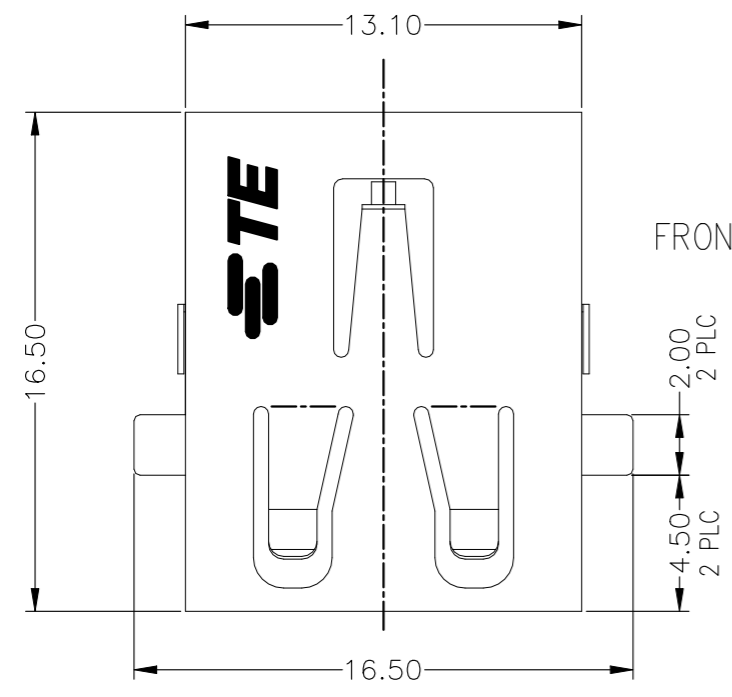
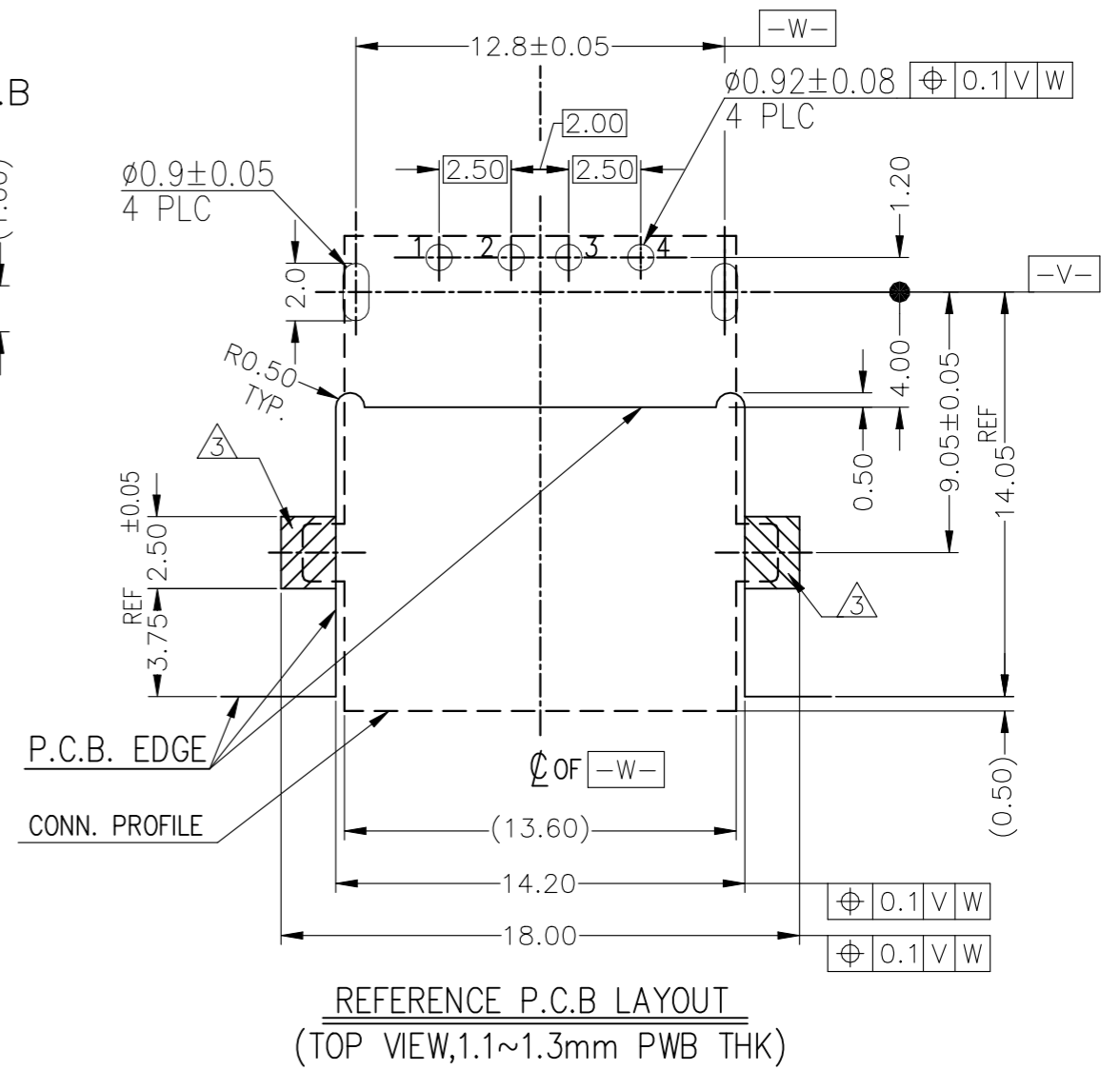
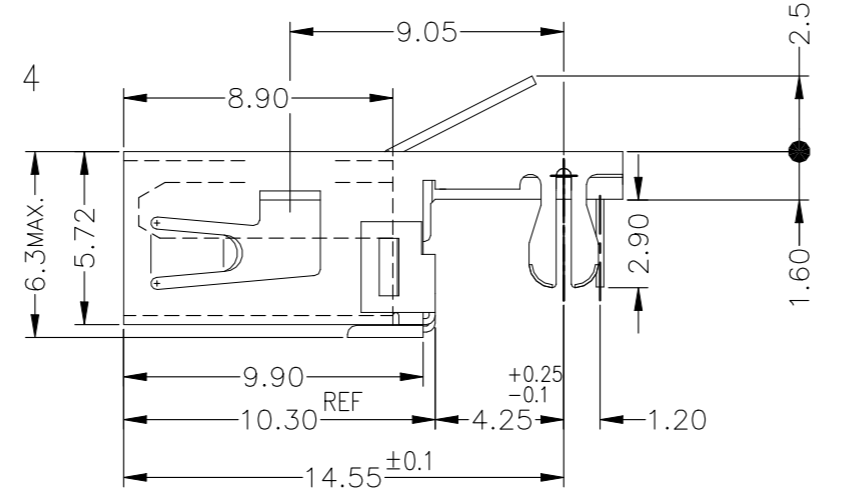
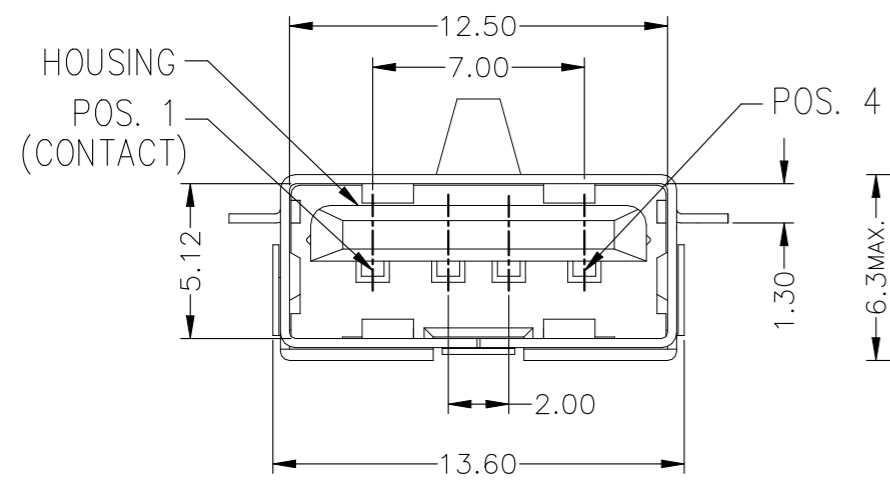


P	LTR	DESCRIPTION	DATE	DWN	APVD
	H	REVISED PER ECN-22-144478	19MAY2022	AK	SZ



REFERENCE P.C.B LAYOUT
(SIDE VIEW, 1.3mm THK)



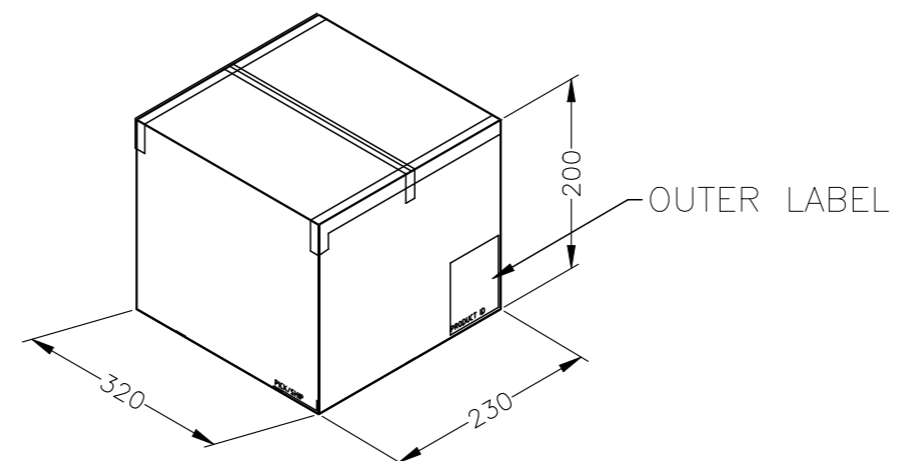
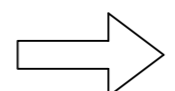
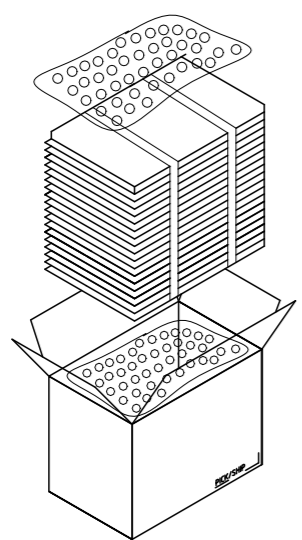
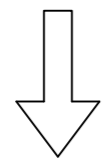
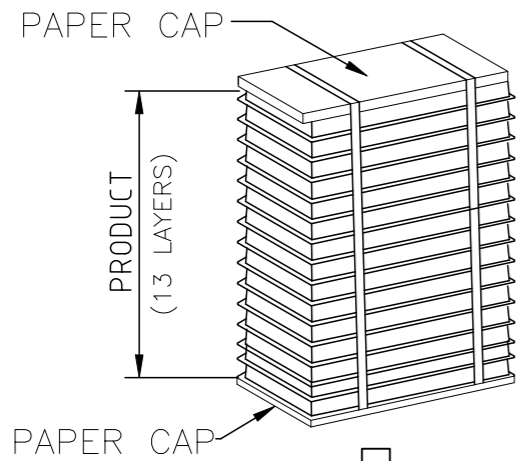
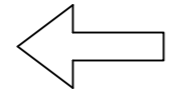
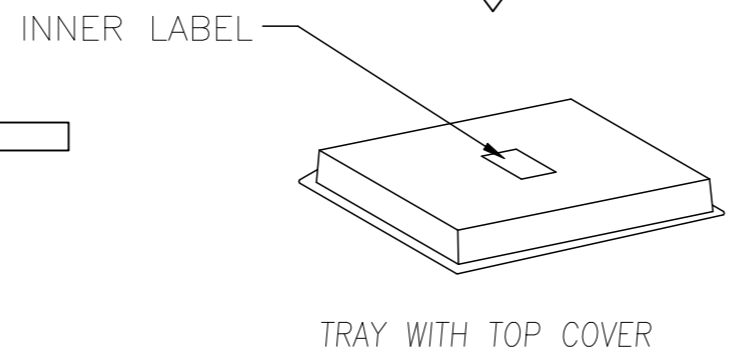
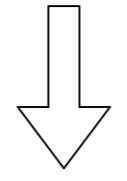
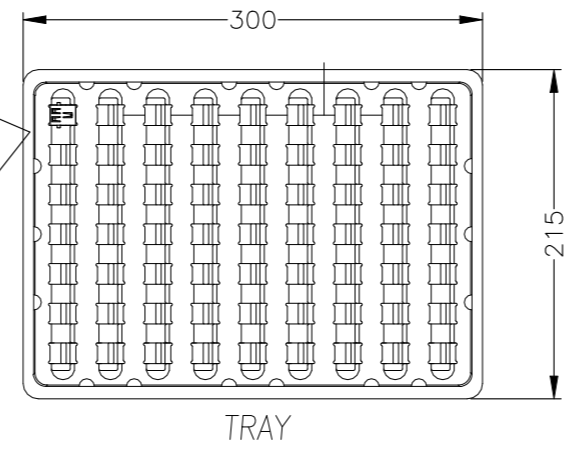
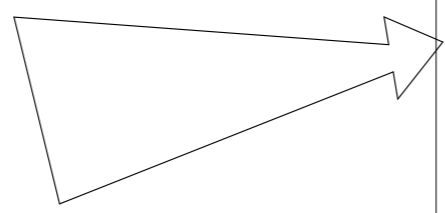
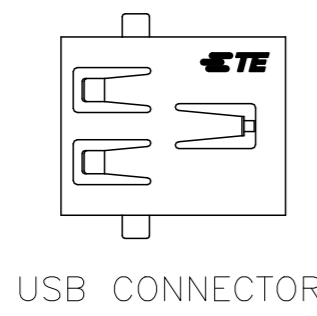
REFERENCE P.C.B LAYOUT
(TOP VIEW, 1.1~1.3mm PWB THK)

- ① MATERIAL
HOUSING: THERMO-PLASTICS, UL94V-0
CONTACT: COPPER ALLOY
FRONT SHELL: COPPER ALLOY
BACK SHELL: COPPER ALLOY
- ② FINISH
CONTACT: NICKEL UNDER PLATE ALL OVER.
CONTACT AREA: GOLD PLATING
TINE AREA: Tin PLATING
FRONT SHELL: Tin PLATING, Ni UNDER PLATING
BACK SHELL: Ni PLATING
- ③ NO COMPONENT AREA.

OBSOLETE	CERAMICS WHITE	1746311-2
	BLACK	1746311-1
	COLOR	PARTS No.

THIS DRAWING IS A CONTROLLED DOCUMENT.		DWN S. CHIEN 15MAR04	TE Connectivity Ltd. USB CONNECTOR RECEPTACLE DIP AND OFFSET TYPE			
DIMENSIONS: mm		CHK T. FUTATSUGI 15MAR04				
TOLERANCES UNLESS OTHERWISE SPECIFIED:		APVD H. KODAMA 15MAR04				
0 PLC ± 1 PLC ± 2 PLC ±0.3 3 PLC ± 4 PLC ± ANGLES ±3°		NAME				
MATERIAL		PRODUCT SPEC 108-5983	SIZE	CAGE CODE	DRAWING NO	RESTRICTED TO
FINISH		APPLICATION SPEC	A3	00779	C-1746311	
CUSTOMER DRAWING		WEIGHT	SCALE 4:1		SHEET 1 OF 2	REV H

REVISIONS					
P	LTR	DESCRIPTION	DATE	DWN	APVD
		SEE SHEET 1			



- NOTES :
- MATERIAL:
TRAY : PS , T=0.8~1.0
SHIPPING CARTON : CORRUGATED FIBERBOARD
 - DIMENSION
TRAY : L=300, W=215, H=10
SHIPPING CARTON : L=320, W=230, H=200
 - QUANTITY:
63 PCS/TRAY
819 PCS/SHIPPING CARTON
 - WEIGHT:
NET WEIGHT:1.24KG
GROSS WEIGHT:2.53KG

USB CONNECTOR PACKING METHOD

THIS DRAWING IS A CONTROLLED DOCUMENT.		DWN	STE TE Connectivity Ltd.		
		CHK			
DIMENSIONS: mm		APVD	NAME		
TOLERANCES UNLESS OTHERWISE SPECIFIED:		PRODUCT SPEC	USB CONNECTOR RECEPTACLE DIP AND OFFSET TYPE		
0 PLC ±		APPLICATION SPEC	SIZE	CAGE CODE	DRAWING NO
1 PLC ±		WEIGHT	A3	00779	C-1746311
2 PLC ±0.3		CUSTOMER DRAWING	SCALE	SHEET	REV
3 PLC ±				2 OF 2	H
4 PLC ±					
ANGLES ±					
FINISH					
MATERIAL					