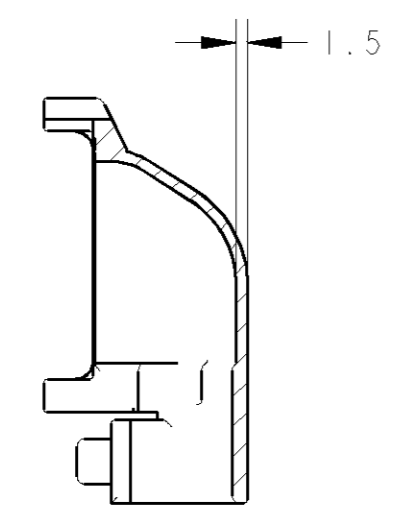
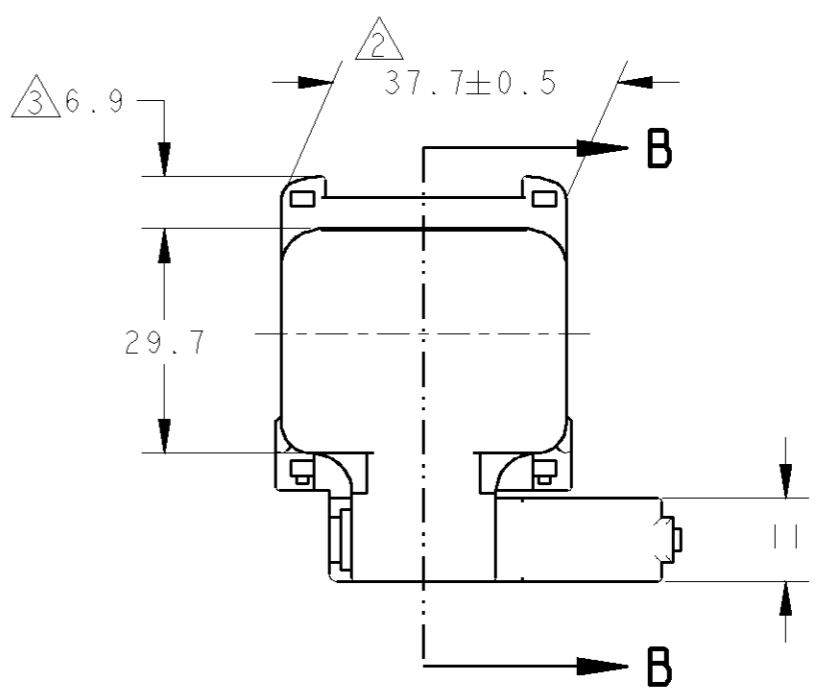
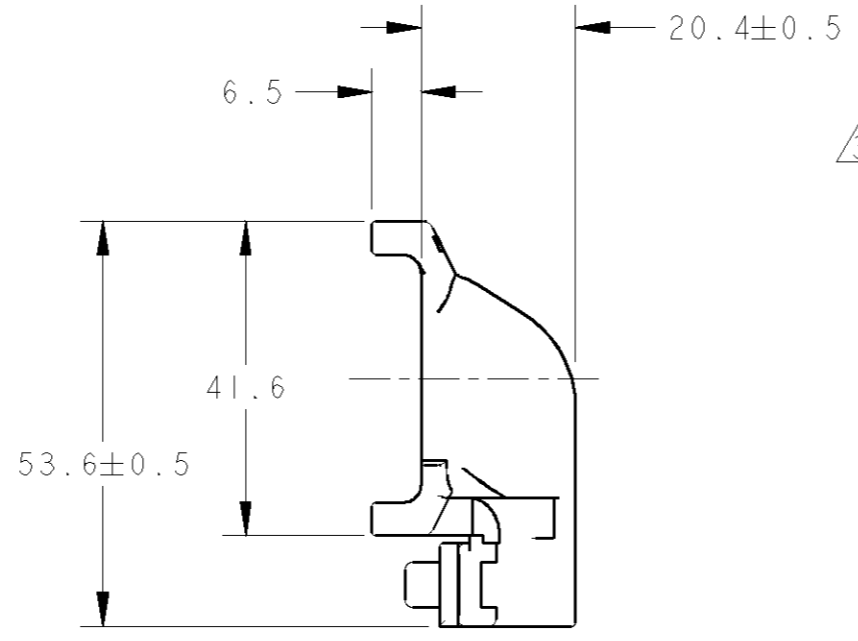
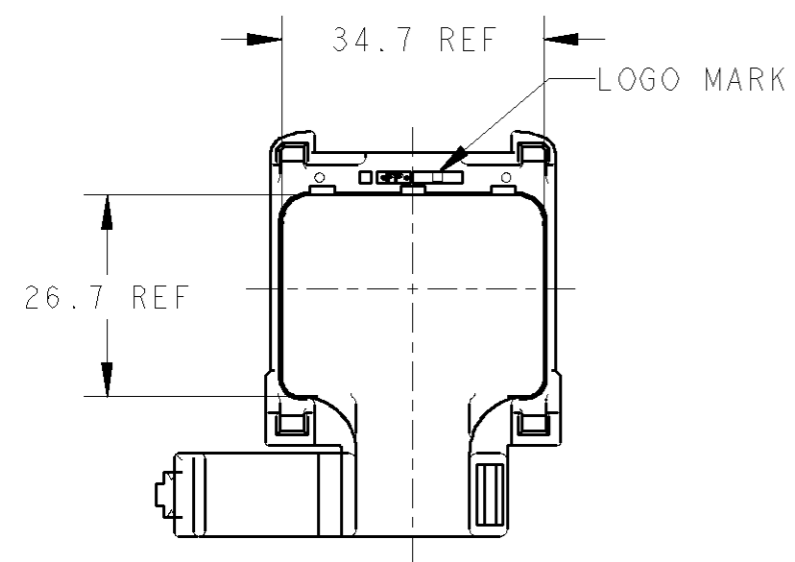
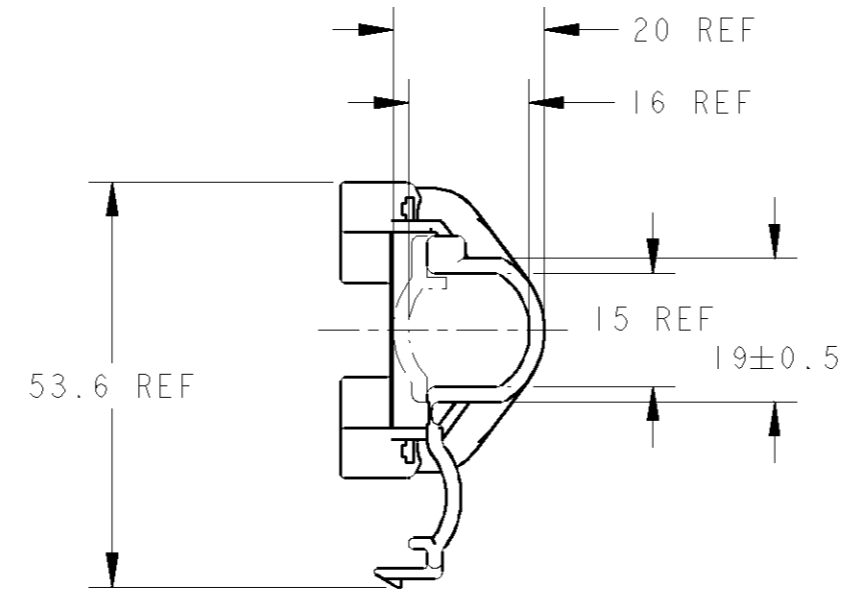


THIS DRAWING IS UNPUBLISHED. RELEASED FOR PUBLICATION 20
 © COPYRIGHT 20 BY TYCO ELECTRONICS CORPORATION. ALL RIGHTS RESERVED.

LOC	DIST	REVISIONS						
J	-	P	LTR	DESCRIPTION	ECN	DATE	DWN	APVD
		0		RELEASED	FJA0-0611-03	16APR04	K.S	Y.F
		A		REVISED	ECR-10-007504	01JUN10	SF	KB



B - B



- 1. MATING WITH PLUG HOUSING SMOOTHLY.
PLUG HOUSING PRODUCT NUMBER ; 1717138
- △2 MEASURED AT THIS MARKED △3
- 1. 相手ハウジングと支障なく嵌合できること。
嵌合相手型番 ; 1717138
- △2 記号△3の範囲で測定

THIS DRAWING IS A CONTROLLED DOCUMENT FOR TYCO ELECTRONICS CORPORATION IT IS SUBJECT TO CHANGE AND THE CONTROLLING ENGINEERING ORGANIZATION SHOULD BE CONTACTED FOR THE LATEST REVISION.		DWN K. SHIGA 16APR04	Tyco Electronics Corporation Kawasaki, Japan	
DIMENSIONS: 単位: 概 mm		CHK Y. NOGUCHI 16APR04		
TOLERANCES UNLESS OTHERWISE SPECIFIED: 一般公差 ±0.3		APVD Y. FUJIWARA 16APR04	NAME 名称 WIRE COVER V TYPE 44 POSITIONS 025/040 SEALED CONNECTOR	
0-PLC ± 1-PLC ±0.5 2-PLC ±0.13 3-PLC ±0.013 4-PLC ±0.000J ANGLES ±1.00'		PRODUCT SPEC 製品規格	SIZE A3	
MATERIAL 材料 PP	FINISH 仕上 BLACK	APPLICATION SPEC 取付適用規格	CAGE CODE 00779	DRAWING NO 番号 C=1746089
CUSTOMER DRAWING		WEIGHT 5.9g	RESTRICTED TO	SCALE 尺度
			SHEET	OF
			REV	A