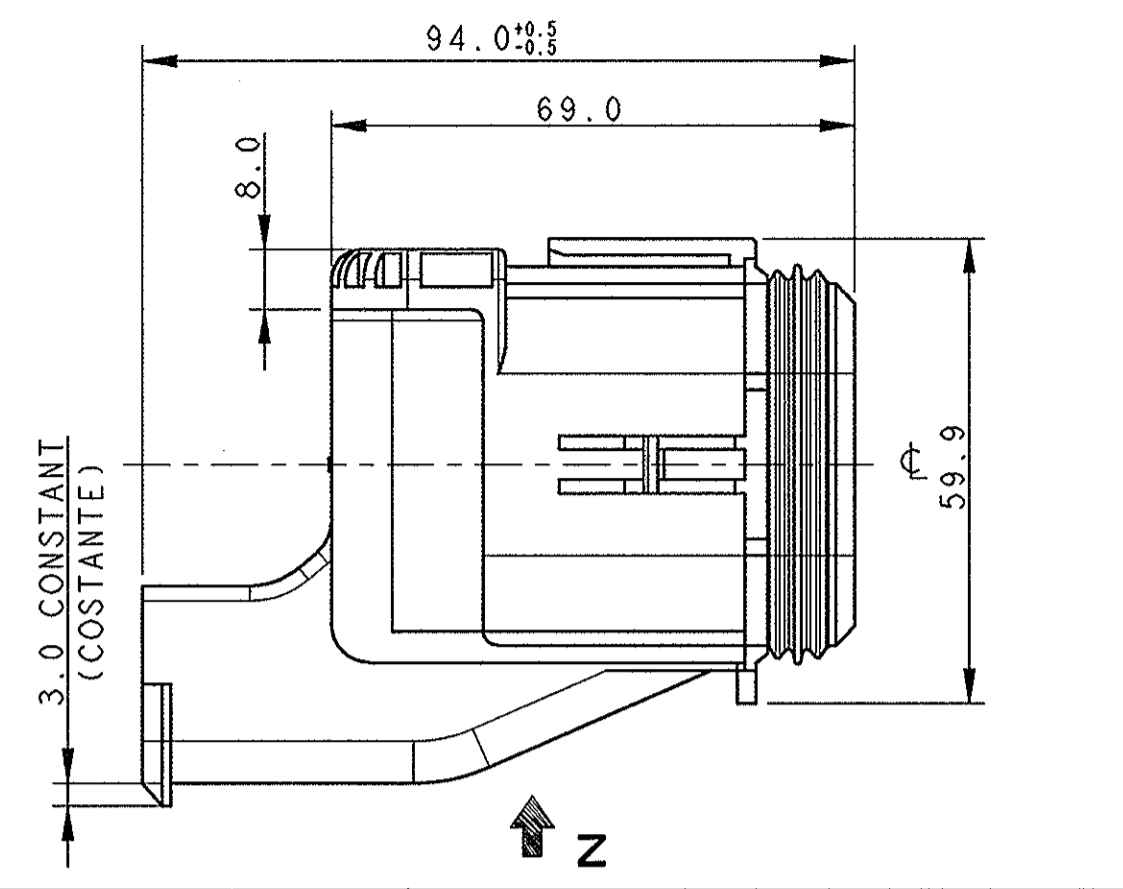
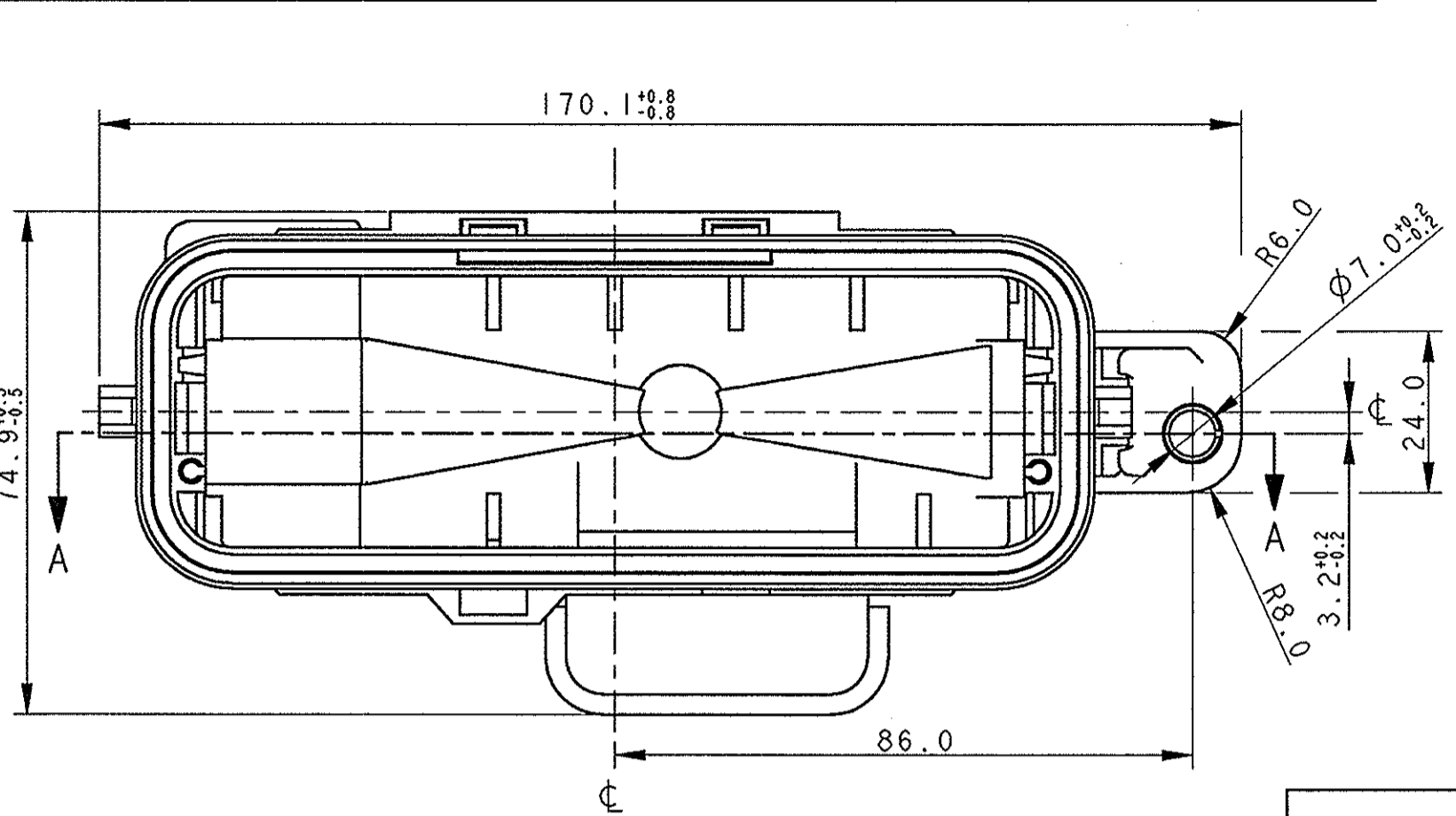
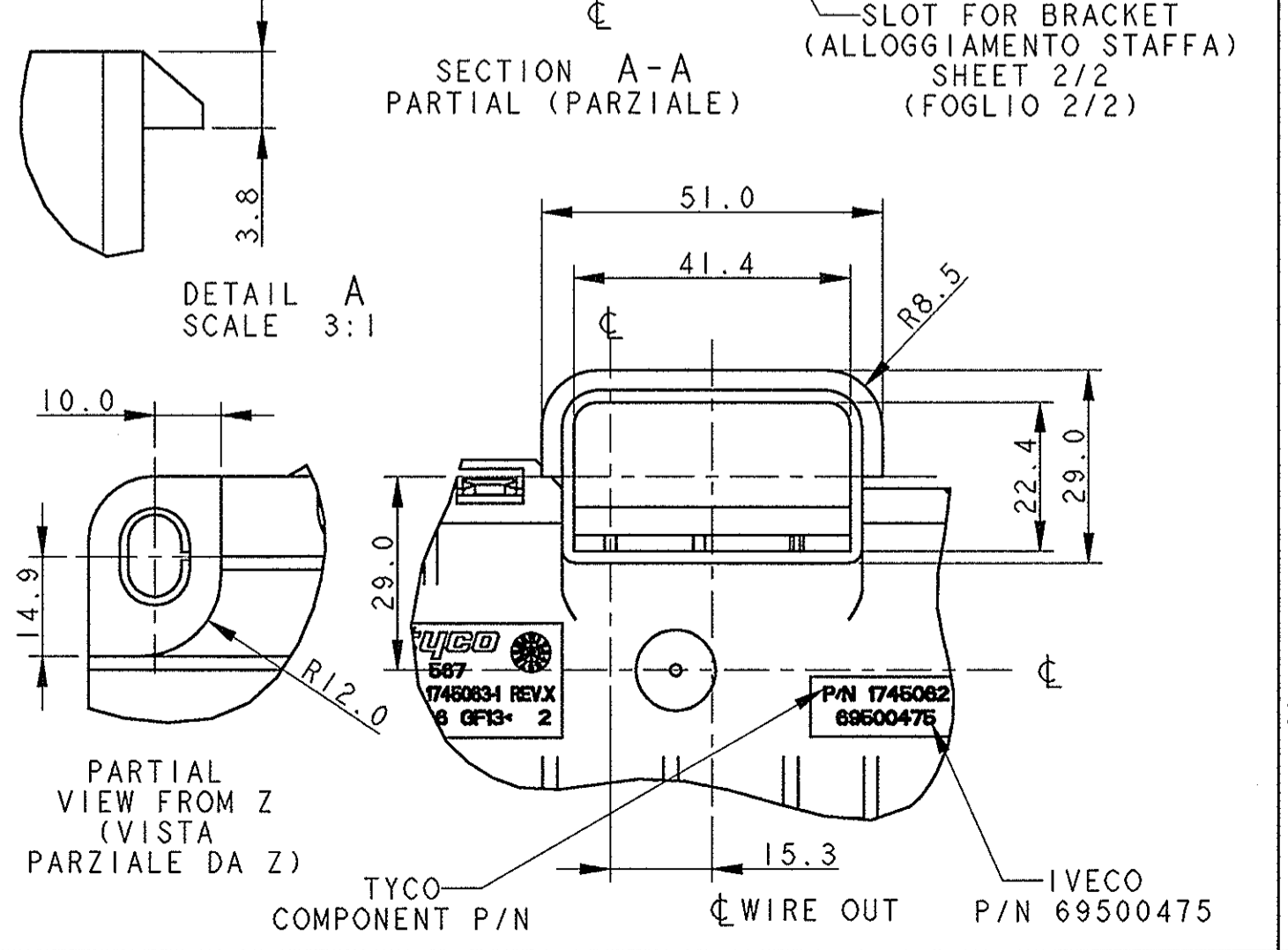
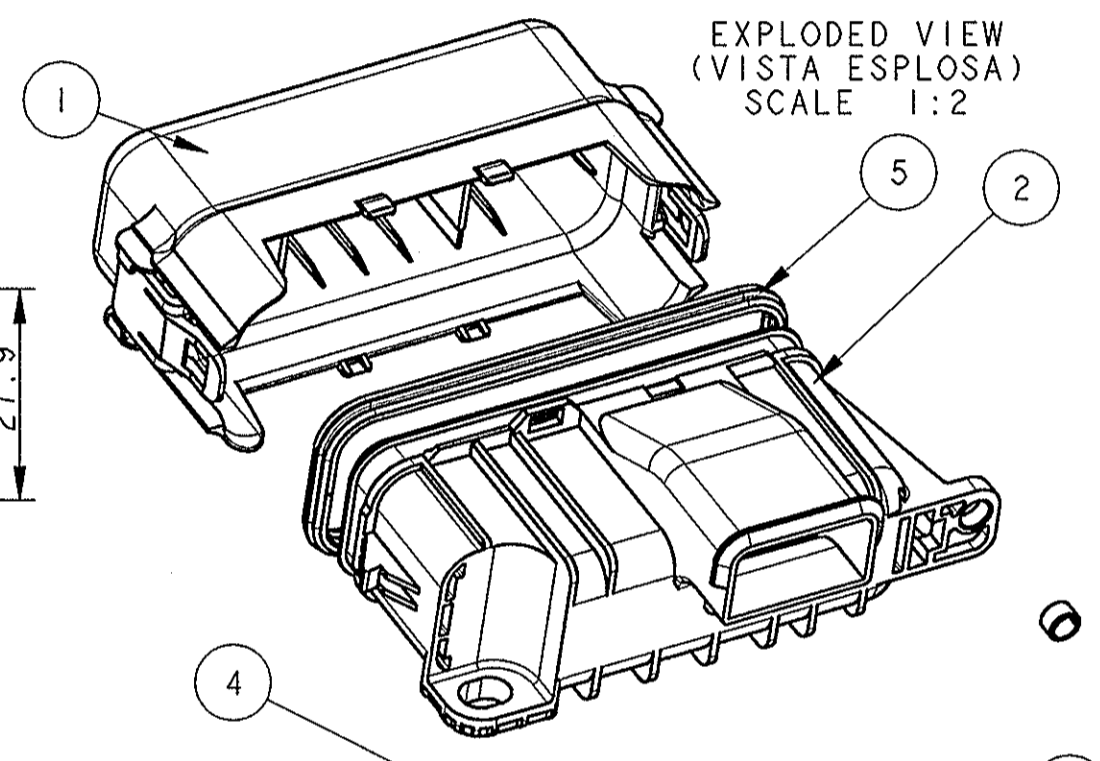
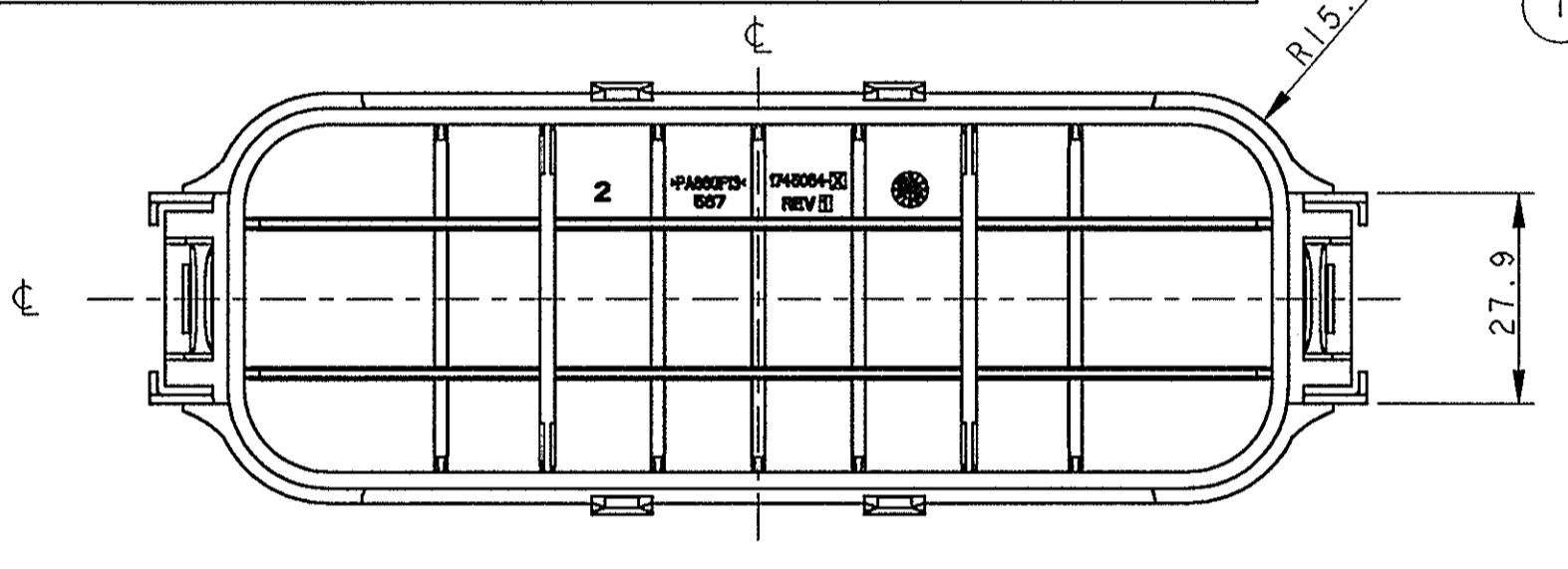
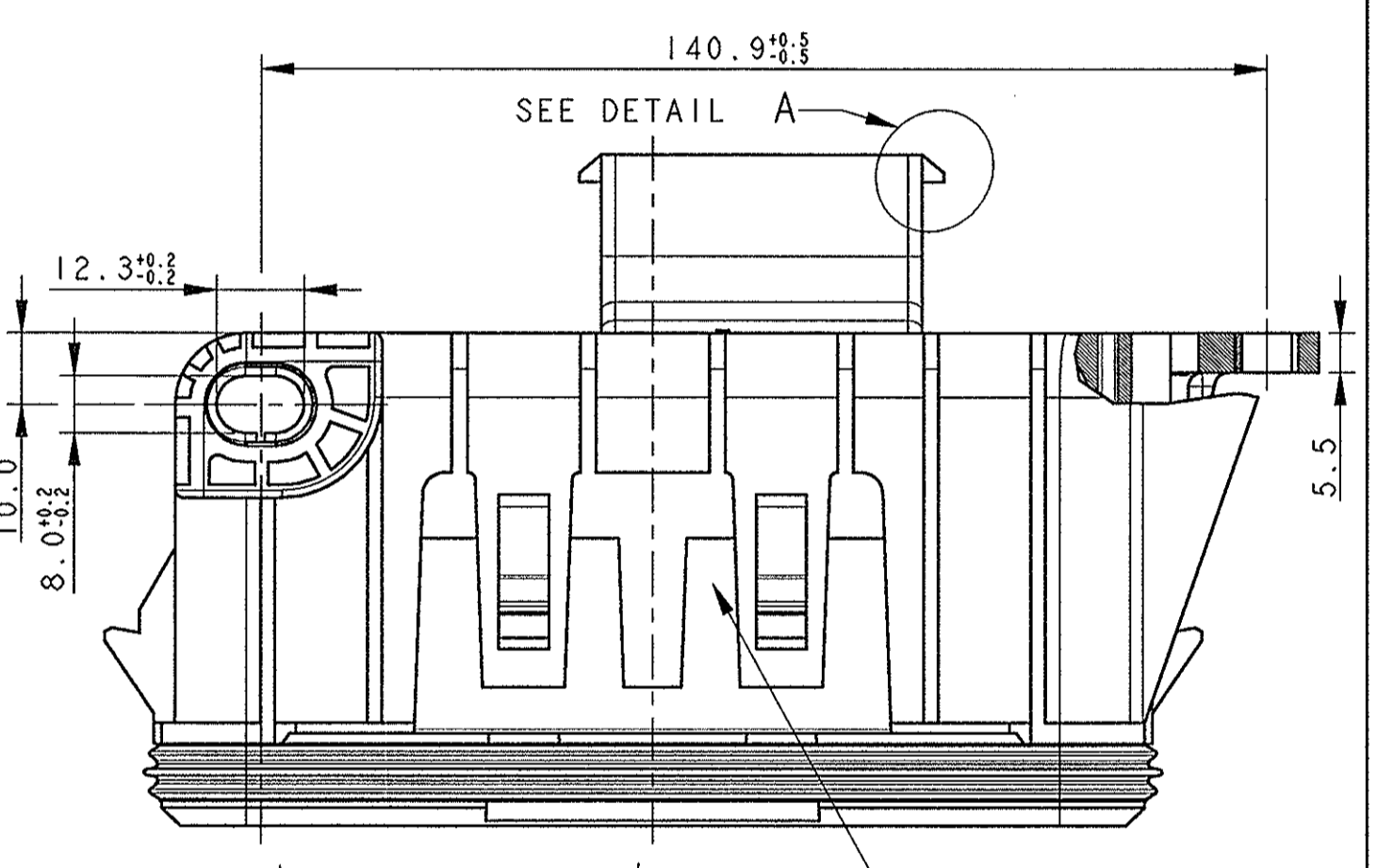


LOC	DIST	REVISIONS					
		P	LTR	DESCRIPTION	DATE	DWN	APVD
		0		PRELIMINARY ISSUE (EMISSIONE PRELIMINARE)	17MAY2005	F.A.	O.C.
		1		UPDATED (AGGIORNAMENTO)	18JUL2005	A.B.	O.C.
		2		UPDATED (AGGIORNAMENTO)	22JUL2005	A.B.	O.C.
		A		UPDATE TO F.P.I.	05MAY2006	A.B.	O.C.
		A1		RELEASED FOR PRODUCTION (ECR-06-010938)	16MAY2006	A.B.	O.C.
		A2		DRAWING UPDATE FOR ERROR AND OMISSION (ECR-07-00428)	08JAN2007	A.B.	O.C.



ITEM	DESCRIPTION (DESCRIZIONE)	MATERIAL (MATERIALE)	COLOUR (COLORE)	Q.TY (Q.TA')
1	COVER (COPERCHIO)	PA66 GF13	BLACK (NERO)	1
2	BASE BOX (SCATOLA)	PA66 GF13	BLACK (NERO)	1
3	BUSHING (BOCCOLA)	BRASS (OTTONE)	-	1
4	OVAL BUSHING (BOCCOLA OVALE)	ZINC PLATING STEEL (ACCIAIO ZINCATO)	-	1
5	PERIPHERAL SEAL (GUARNIZIONE PERIFERICA)	SILICON RUBBER (GOMMA SILICONICA)	YELLOW (GIALLO)	1

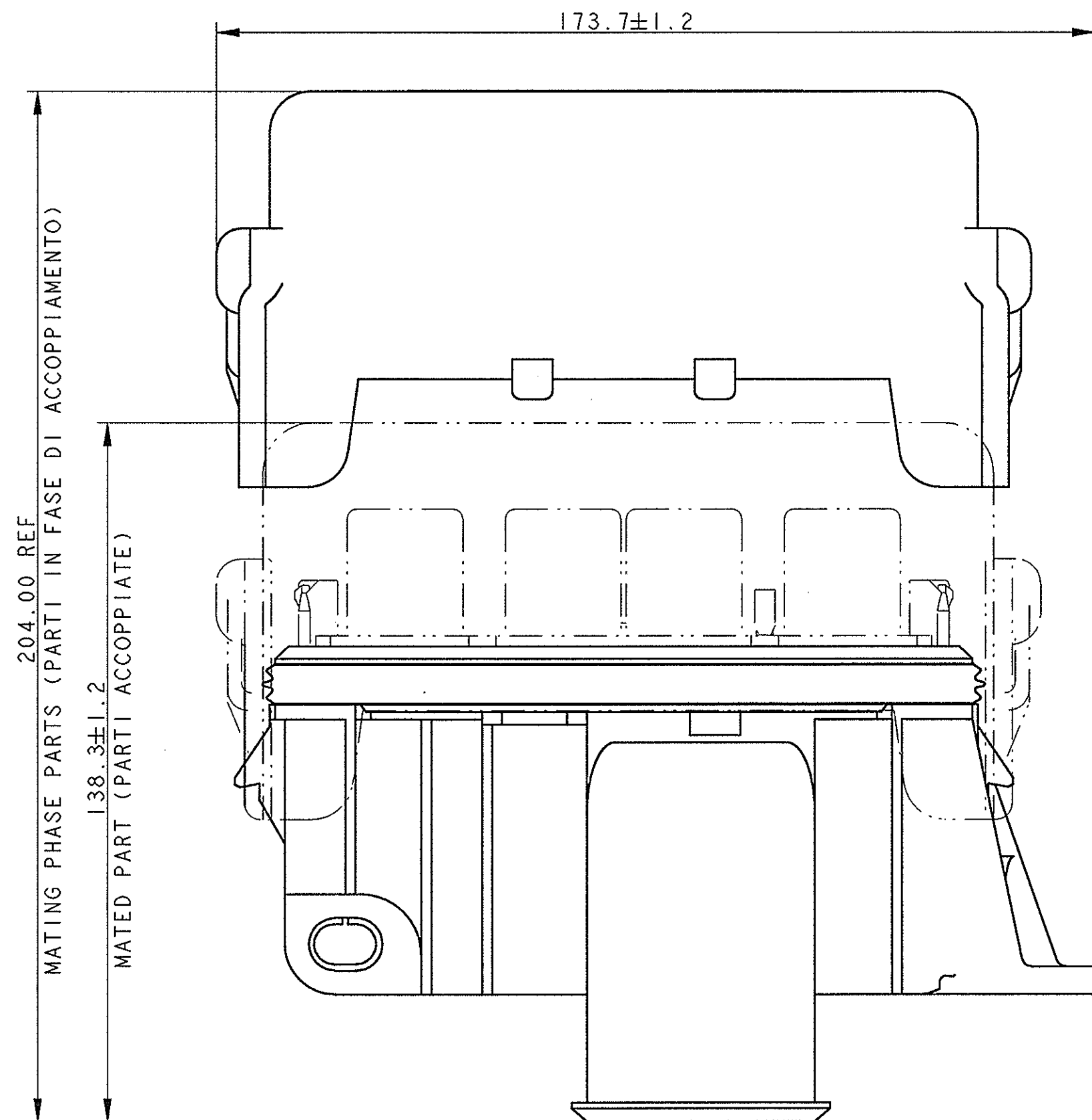


**NOTES (NOTE):**  
 1) WIRED FUSE AND RELAY BOX SUITABLE FOR MINI-RELAY HOLDER KIT MODULE P/N 284905-1 (SCATOLA RELE' E FUSIBILI IDONEA PER MODULO PORTA-FUSIBILI P/N 284905-1)  
 2) COVER AND BASE BOX ARE SUPPLIED IN SEPARATELY BAGS IN THE SAME BOX. BASE BOX IS SUPPLIED WITH BUSHINGS AND PERIPHAL SEAL ASSEMBLED. (COPERCHI E SCATOLA SONO FORNITE IN BUSTE SEPARATE NELLA STESSA CONFEZIONE. LA SCATOLA VIENE FORNITA CON LE BOCCOLE E LA GUARNIZIONE MONTATE).

P/N 1745062 AS SHOWN WAS P/N 05-51098-1 (COME MOSTRATO)

DIMENSIONS: mm		TOLERANCES UNLESS OTHERWISE SPECIFIED:		DWN F. AMERIO 17MAY2005	tyco Electronics	tycoelectronics AMP Italia S.p.A. C.so F.lli Cervi, 15 Collegno(TO)
MATERIAL SEE TABLE (VEDI TABELLA)		MATERIAL SEE TABLE (VEDI TABELLA)		CHK O. CANUTO 17MAY2005		
MATERIAL SEE TABLE (VEDI TABELLA)		MATERIAL SEE TABLE (VEDI TABELLA)		APVD A. GENTA 17MAY2005	NAME WIRED FUSE AND RELAY BOX FOR ENGINE COMPARTMENT OF IVECO DAILY SEALED VERSION (SCATOLA FUSIBILI E RELE' MOTORE IVECO DAILY VERSIONE A TENUTA)	
MATERIAL SEE TABLE (VEDI TABELLA)		MATERIAL SEE TABLE (VEDI TABELLA)		PRODUCT SPEC 108-20265	SIZE CAGE CODE DRAWING NO RESTRICTED TO	
MATERIAL SEE TABLE (VEDI TABELLA)		MATERIAL SEE TABLE (VEDI TABELLA)		APPLICATION SPEC 411-20101	A2 00779 C=1745062	
MATERIAL SEE TABLE (VEDI TABELLA)		MATERIAL SEE TABLE (VEDI TABELLA)		WEIGHT -	SCALE 1:2 SHEET 1 OF 2 REV A2	
MATERIAL SEE TABLE (VEDI TABELLA)		MATERIAL SEE TABLE (VEDI TABELLA)		CUSTOMER DRAWING		

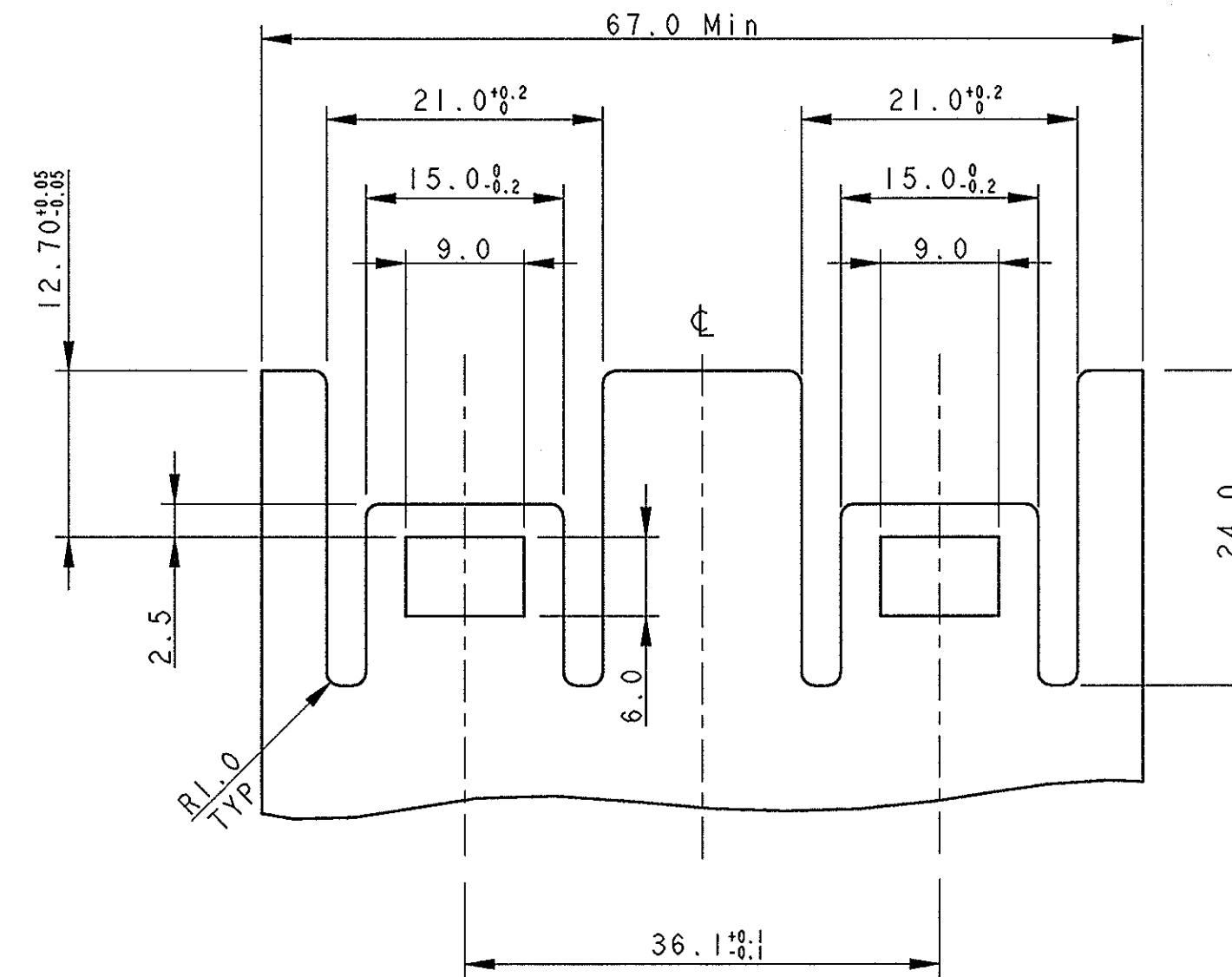
**OVERALL DIMENSIONS  
(DIMENSIONI DI INGOMBRO)**



SCALE 1:1

LOC		DIST		REVISIONS			
P	LTR	DESCRIPTION	DATE	DWN	APVD		
-	-	SEE SHEET 1	-	-	-		

**BRACKET DIMENSIONS ACCORDING TO FIAT DWG. 7782745  
(DIMENSIONI STAFFA IN ACCORDO CON IL DIS. FIAT 7782745)**



**NOTES (NOTE):**

- 1) BRACKET THICKNESS : 1.2 mm ± 0.1  
(SPESSORE STAFFA : 1.2 mm ± 0.1)
- 2) BRACKET MATERIAL : STEEL  
(MATERIALE STAFFA : ACCIAIO)
- 3) UNLESS OTHERWISE SPECIFIED : RADII 1mm  
(DOVE NON SPECIFICATO : RAGGI 1 mm)
- 4) UNLESS OTHERWISE SPECIFIED : DIMENSION TOLLERANCE ± 0.2 mm  
(DOVE NON SPECIFICATO : TOLLERANZE DIMENSIONALI ± 0.2 mm)

<small>THIS DRAWING IS A CONTROLLED DOCUMENT FOR TYCO ELECTRONICS CORPORATION          IT IS SUBJECT TO CHANGE AND THE CONTROLLING ENGINEERING ORGANIZATION          SHOULD BE CONTACTED FOR THE LATEST REVISION.</small>		DWN E. AMERIO 17MAY2005		tycoelectronics AMP Italia S.p.A. C.so F.lli Cervi,15 Collegno(TO)	
DIMENSIONS: mm		CHK O. CANUTO 17MAY2005		NAME WIRED FUSE AND RELAY BOX FOR ENGINE COMPARTMENT OF IVECO DAILY SEALED VERSION (SCATOLA FUSIBILI E RELE' MOTORE IVECO DAILY VERSIONE A TENUTA)	
TOLERANCES UNLESS OTHERWISE SPECIFIED: 0 PLC ±0.5 1 PLC ±0.4 2 PLC ±0.2 3 PLC ± 4 PLC ± ANGLES ±1° FINISH		APVD A. GENIA 17MAY2005	PRODUCT SPEC 108-20265	SIZE A2	CAGE CODE 00779
MATERIAL SEE NOTES (VEDI NOTE)		APPLICATION SPEC 411-20101	DRAWING NO C=1745062	RESTRICTED TO -	SCALE 1:1
CUSTOMER DRAWING			SHEET 2	OF 2	REV A2