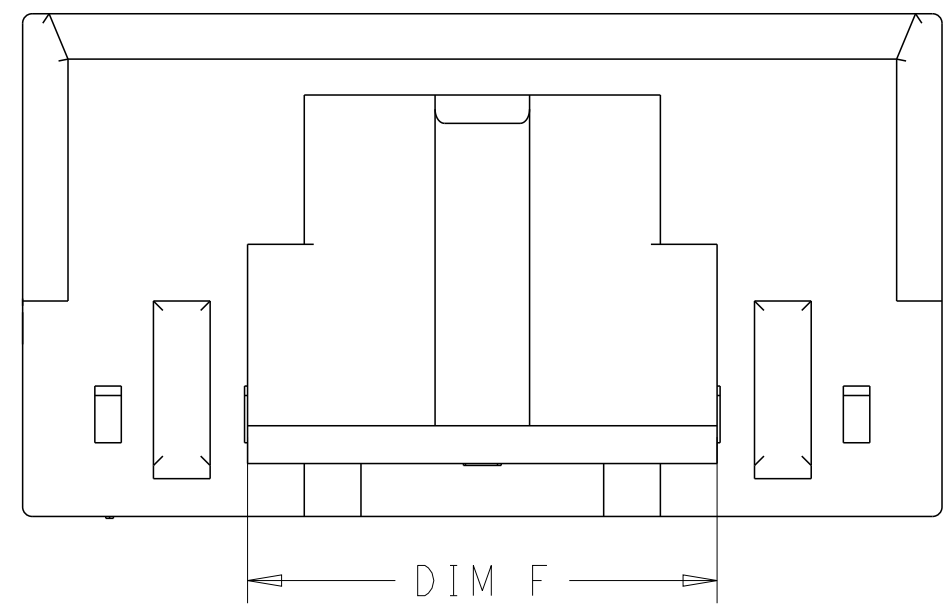


THIS DRAWING IS UNPUBLISHED. RELEASED FOR PUBLICATION 20
 © COPYRIGHT 20 Tyco Electronics AMP GmbH ALL RIGHTS RESERVED.

LOC	DIST	REVISIONS					
GP	00	P	LTR	DESCRIPTION	DATE	DWN	APVD
		B		REVISED PER ECR-14-007967	19JUN2014	NK	MS

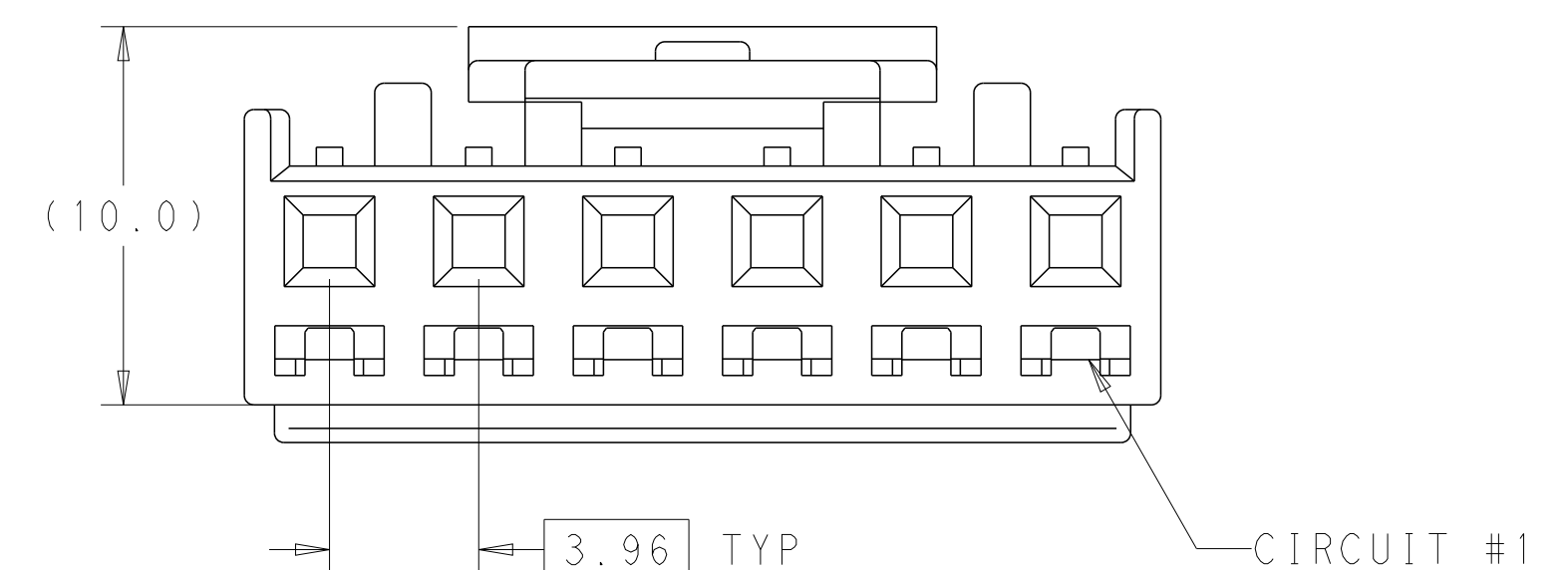
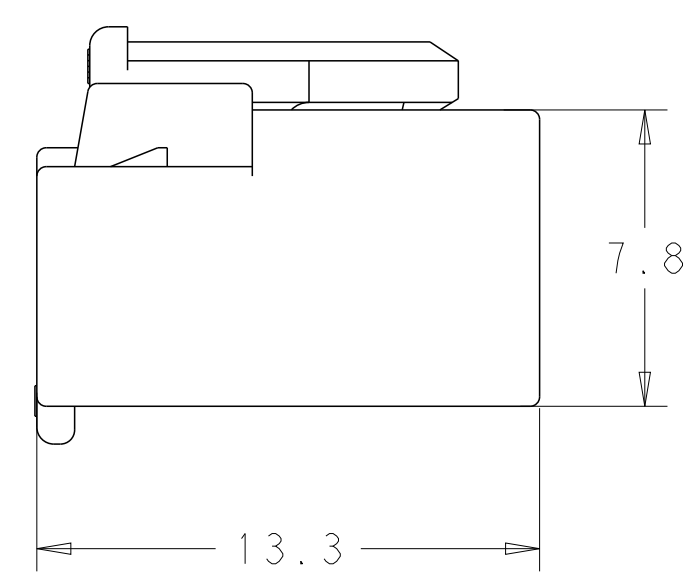
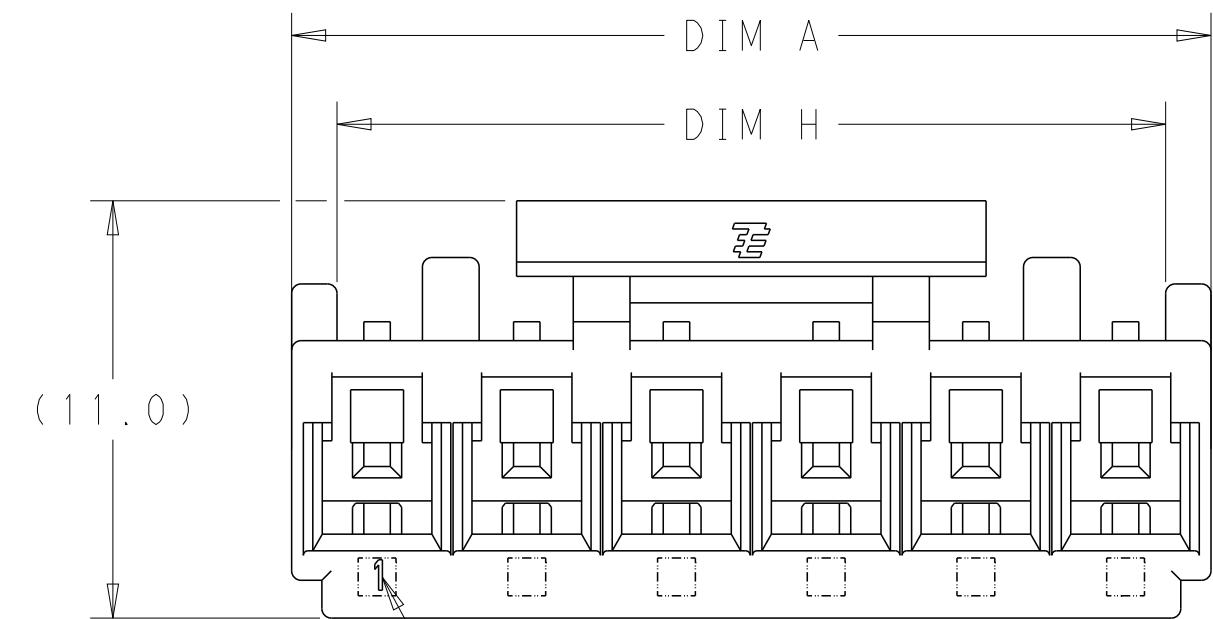


⚠ MATERIAL: NYLON, UL94V-0 FLAME RETARDENT, COLOR: BLUE

2 HOUSINGS TO USE "RETAINER":

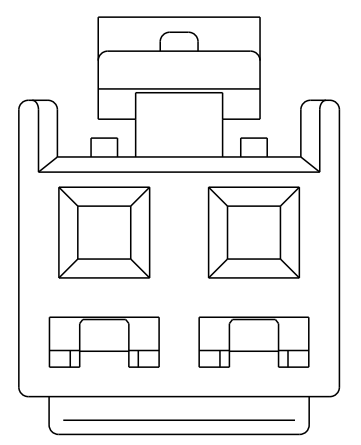
"BREAKAWAY RETAINER" P/N: 1-2132782-2 (12 POSITION),
 12 POSITION PART TO BE SEPERATED AT APPROPRIATE NOTCHES TO FIT 2 POSITION THRU 11 POSITION HOUSINGS

"NORMAL RETAINER" P/N: X-1744544-X
 WHERE XX IS THE NUMBER OF POSITIONS.

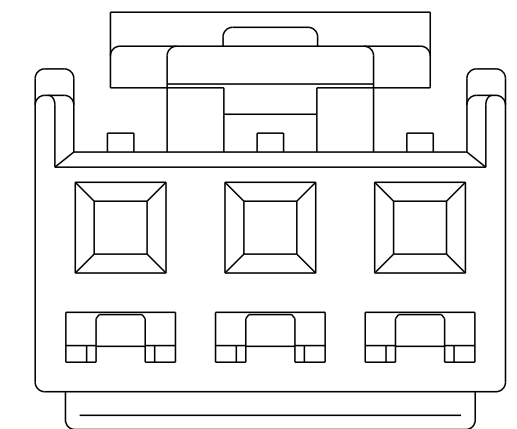


CIRCUIT #1

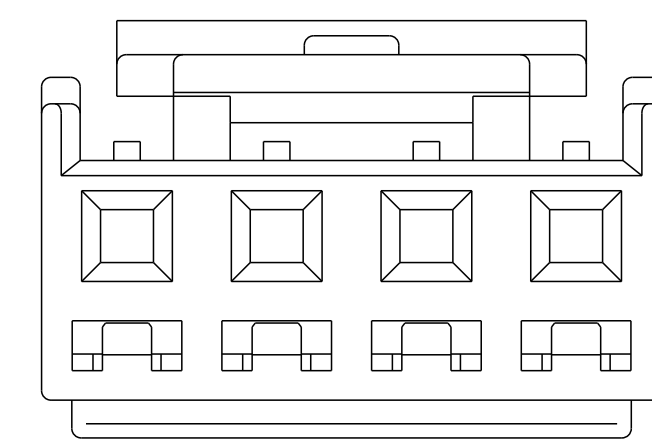
CIRCUIT #1



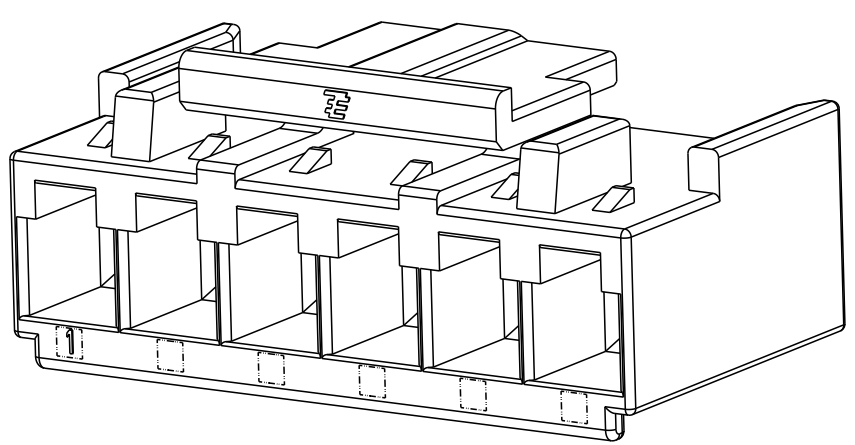
FRONT VIEW (2 POSITION SHOWN)



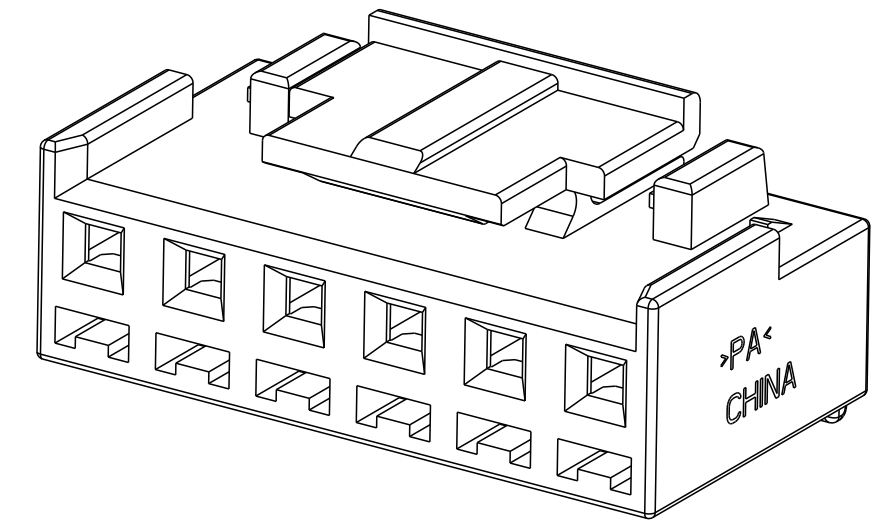
FRONT VIEW (3 POSITION SHOWN)



FRONT VIEW (4 POSITION SHOWN)



ISOMETRIC REAR VIEW (6 POSITION SHOWN)



ISOMETRIC MATING FACE VIEW (6 POSITION SHOWN)

45.68	12.42	48.08	12	1-1744496-2
41.72	8.46	44.12	11	1-1744496-1
37.76	12.42	40.16	10	1-1744496-0
33.80	8.46	36.20	9	1744496-9
29.84	12.42	32.24	8	1744496-8
25.88	8.46	28.28	7	1744496-7
21.92	12.42	24.32	6	1744496-6
17.96	8.46	20.36	5	1744496-5
14.36	12.42	16.40	4	1744496-4
10.40	8.46	12.44	3	1744496-3
6.44	4.50	8.48	2	1744496-2
DIM H	DIM F	DIM A	NO OF POSN	PART NUMBER

THIS DRAWING IS A CONTROLLED DOCUMENT.

DIMENSIONS:	TOLERANCES UNLESS OTHERWISE SPECIFIED:	DWN KIRAN HOLA 21AUG2012	TE Connectivity RECEPTACLE HOUSING, ECONOMY POWER II, 3.96 CENTERLINE W/ RETAINING FEATURES, BLUE
mm	0 PLC ±	CHK MACE SAM 21AUG2012	
	1 PLC ±0.5	APVD MACE SAM 21AUG2012	
	2 PLC ±0.30	PRODUCT SPEC	
	3 PLC ±	APPLICATION SPEC	NAME
	4 PLC ±	WEIGHT	SIZE CAGE CODE DRAWING NO RESTRICTED TO
MATERIAL	ANGLES ±5°	FINISH	A200779 C-1744496
			SCALE 1:1 SHEET 1 OF 1 REV B

Customer Drawing