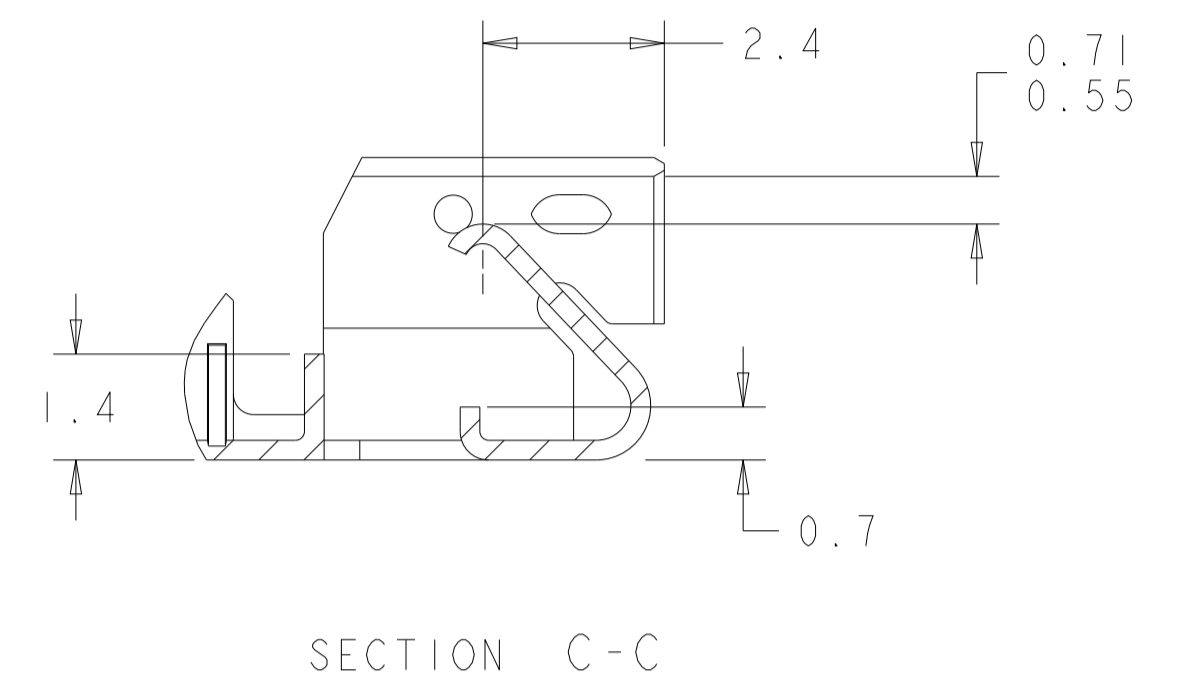
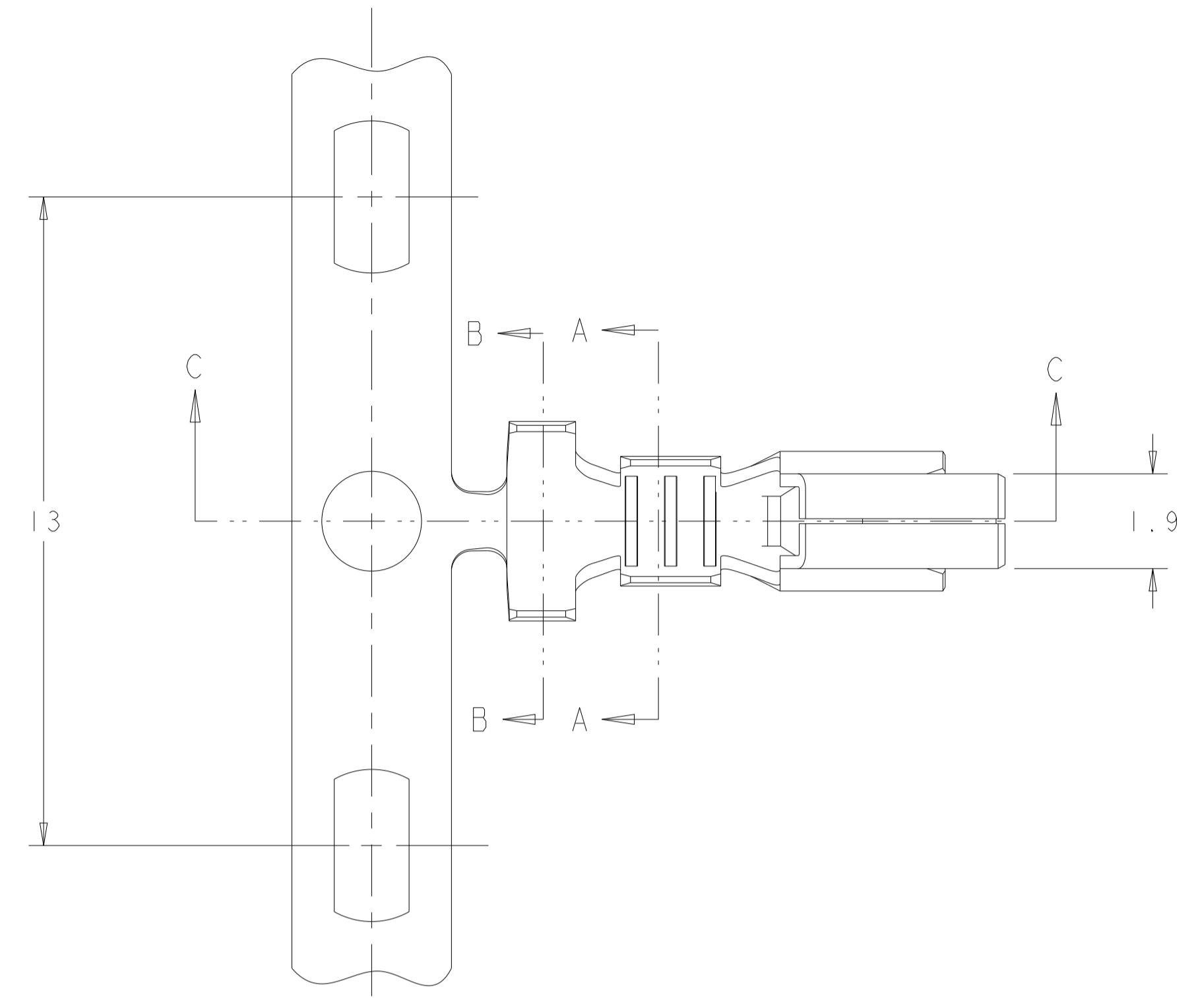
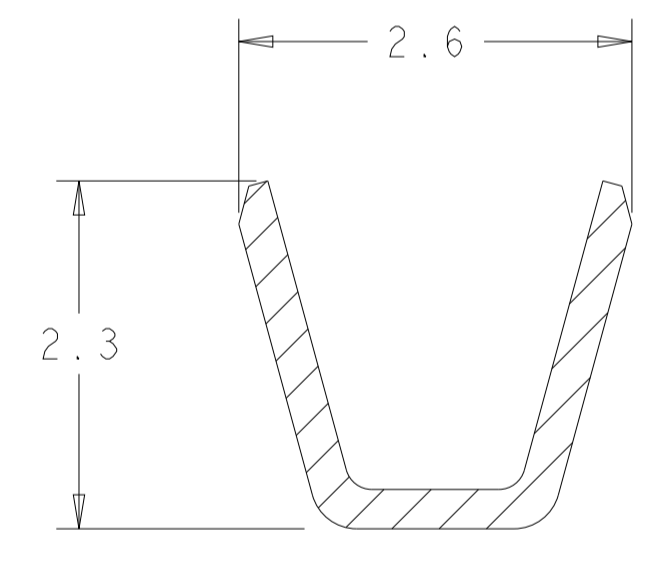
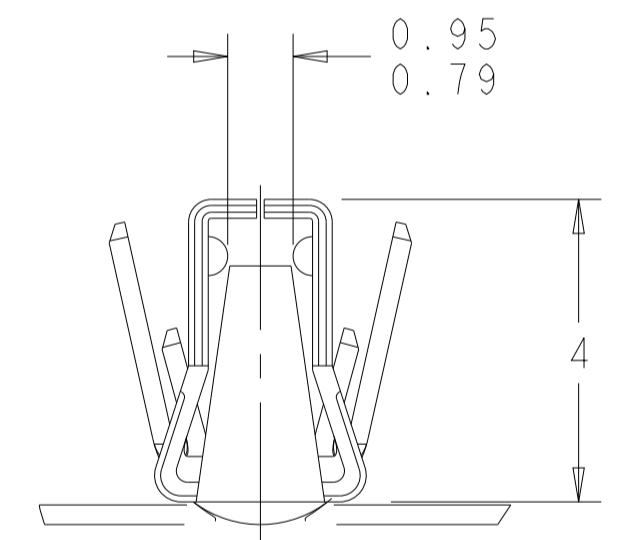
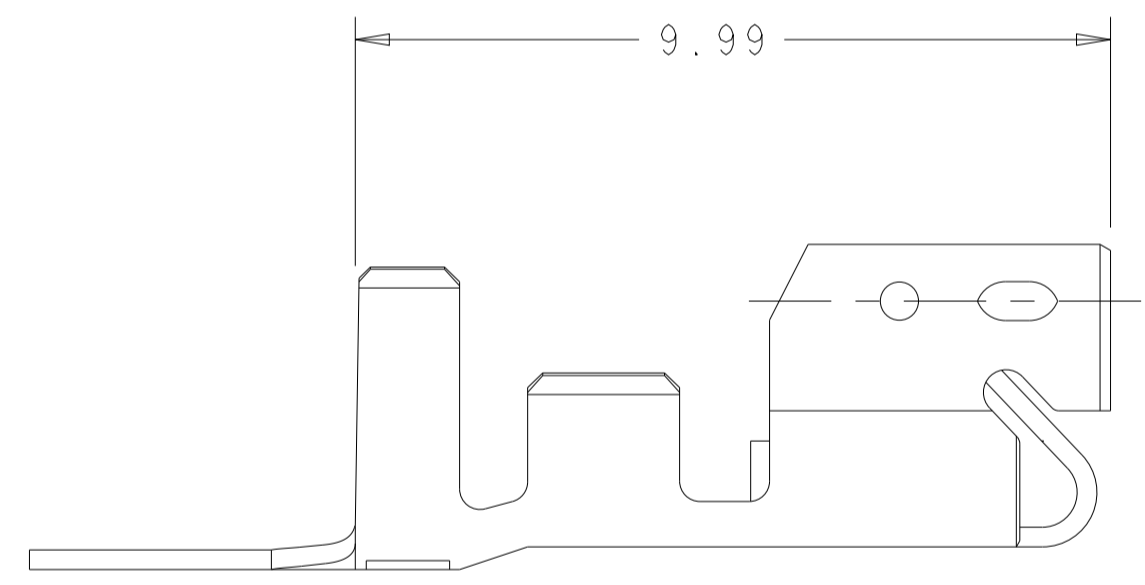
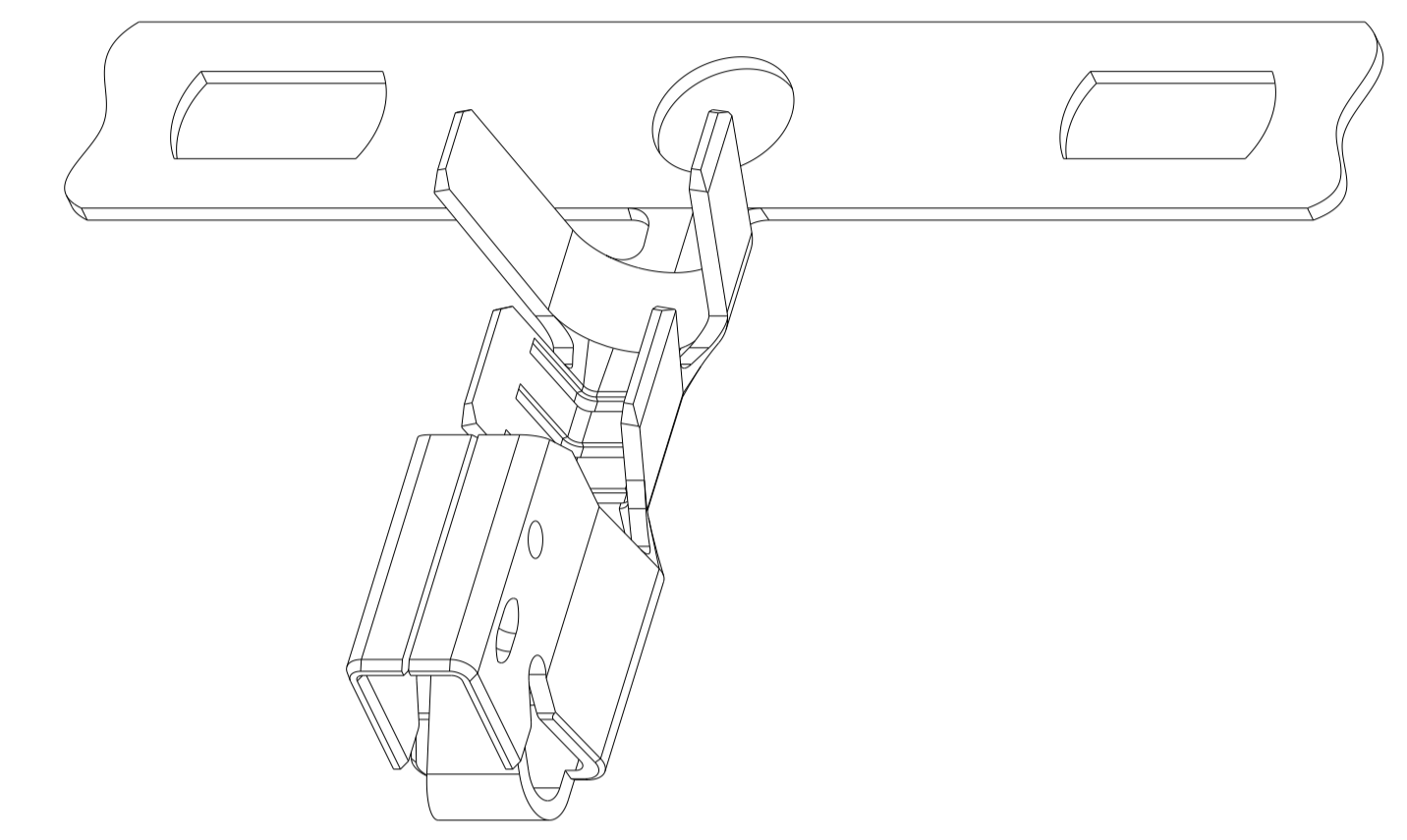


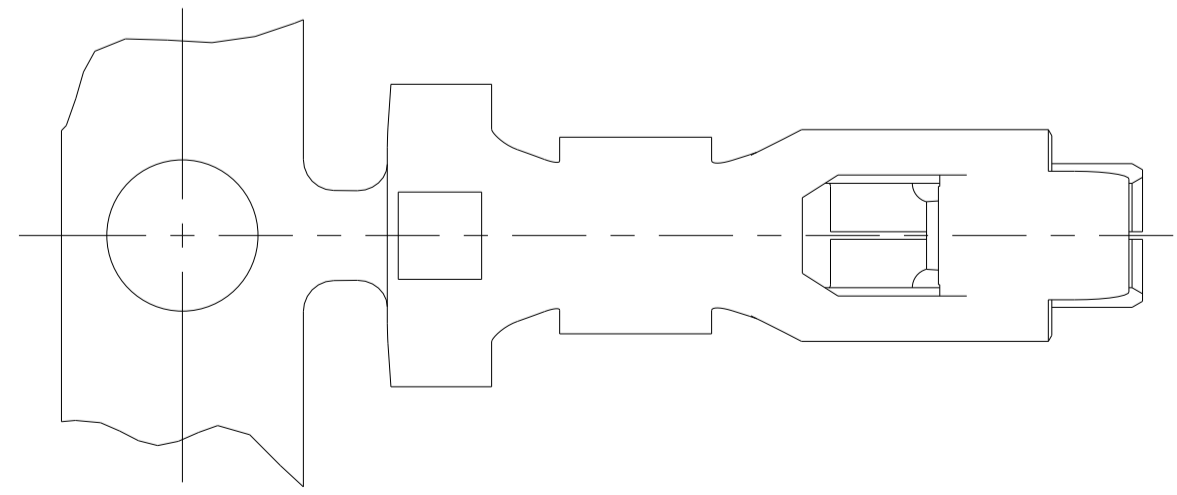
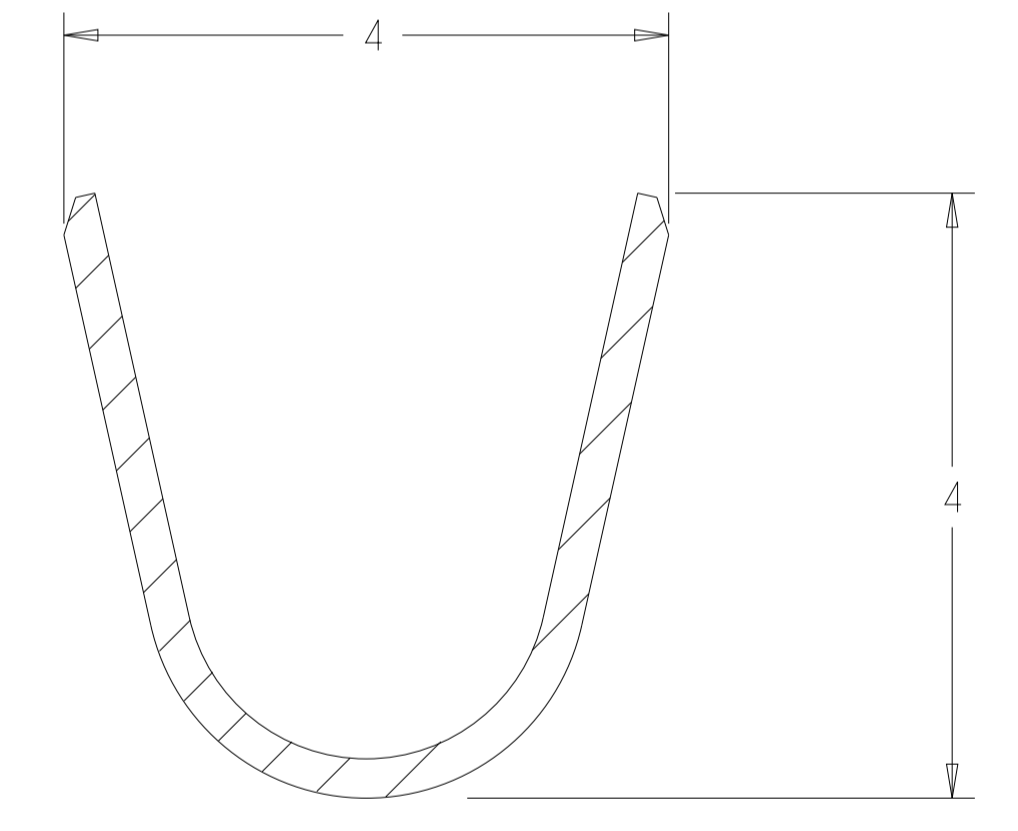
LOC		DIST		REVISIONS			
CM	00	P	LTN	DESCRIPTION	DATE	DWN	APVD
		D3		REVISED PER ECR-20-100273	13AUG2020	WH	DZ
		D4		REVISED PER ECR-23-165122	24FEB2023	NH	LC



1. FINISH: 0.8μM PRE-TIN OVER 0.5μM MIN COPPER.
2. WIRE RANGE: 22-18 AWG [0.30-0.89mm<sup>2</sup>].
3. CONTACTS COATED WITH TE ANTI-FRETTING LUBRICANT.
4. WIRE INSULATION RANGE: 1.7-2.9MM DIA.



SECTION A-A  
SCALE 20:1



3	PHOS BRONZE	1744144-1
	LUBRICANT	PART NO

THIS DRAWING IS A CONTROLLED DOCUMENT.		DWN K. WHITAKER 05APR2005	TE Connectivity CONTACT, LANCELESS, STD, ECONOMY POWER II
DIMENSIONS:		CHK J. ELLIS 05APR2005	
TOLERANCES UNLESS OTHERWISE SPECIFIED:		APVD J. ELLIS 05APR2005	
MM		NAME 108-2297	
0 PLC ±.2 1 PLC ±.2 2 PLC ±.15 3 PLC ±.1 4 PLC ±.1 ANGLES ±1° FINISH SEE TABLE		PRODUCT SPEC APPLICATION SPEC 114-13265 WEIGHT -	SIZE CAGE CODE DRAWING NO RESTRICTED TO
MATERIAL SEE TABLE		CUSTOMER DRAWING	A100779C=1744144 SCALE N/A SHEET 1 OF 1 REV D4