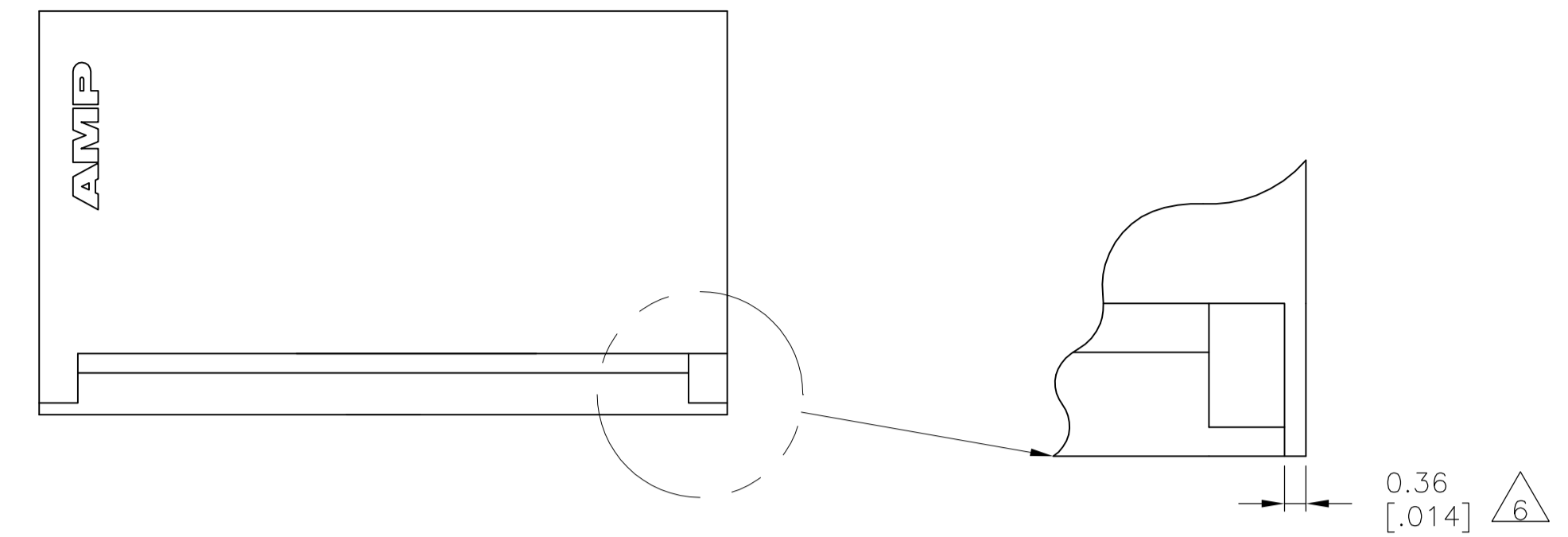
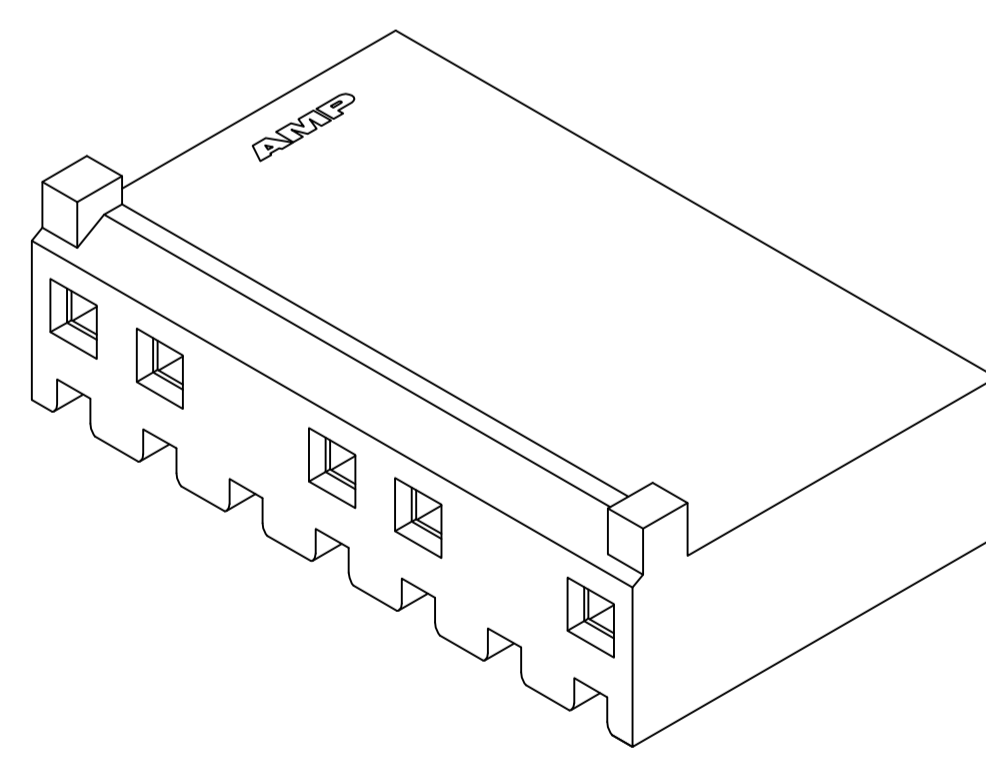
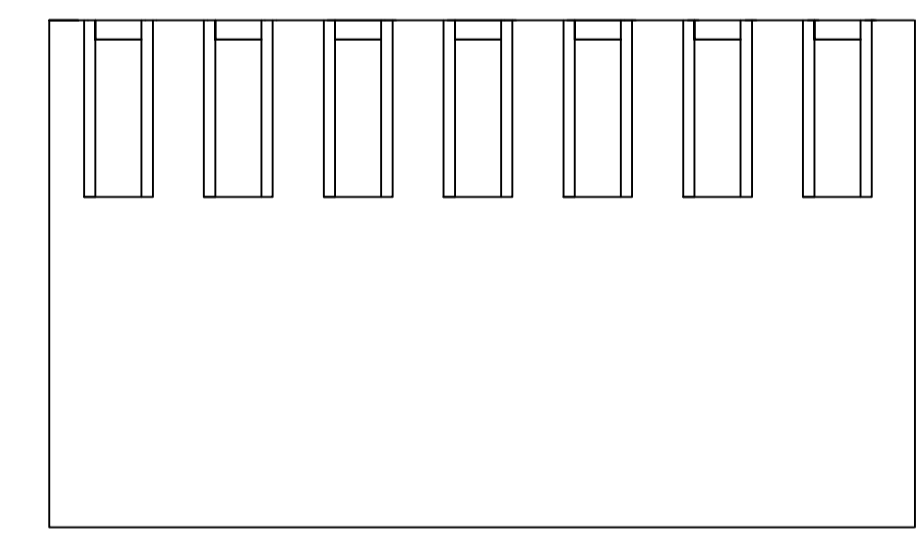
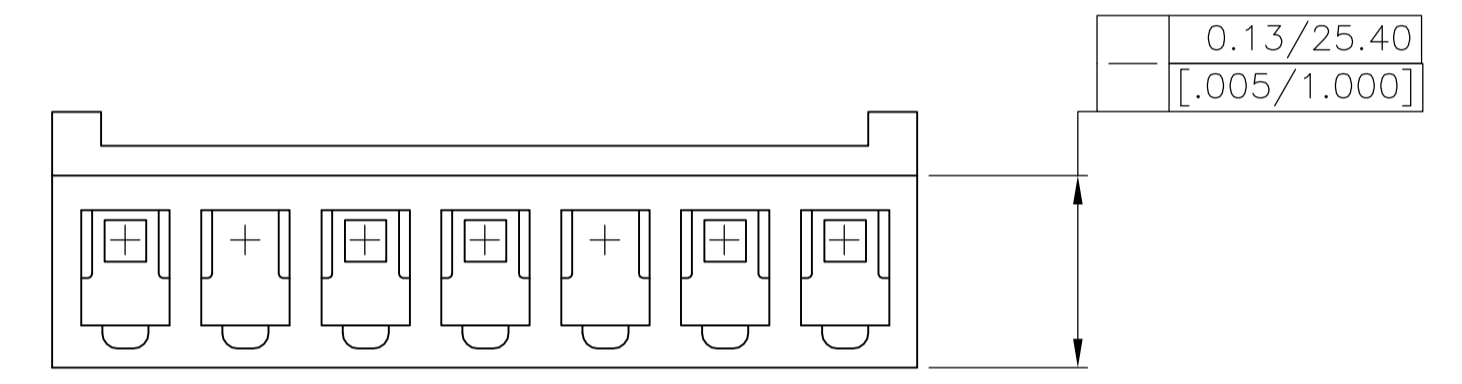
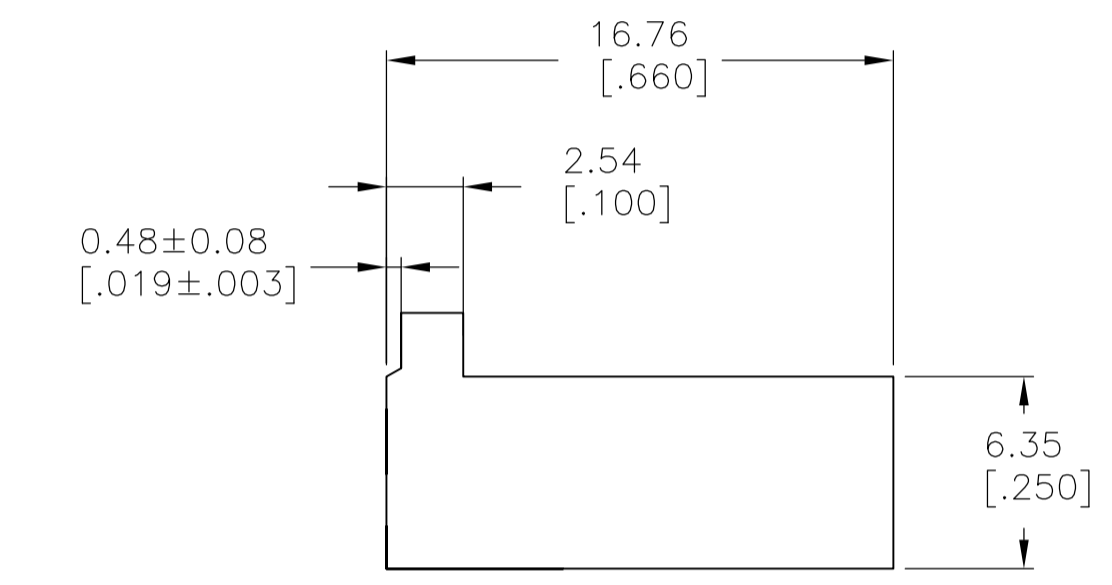
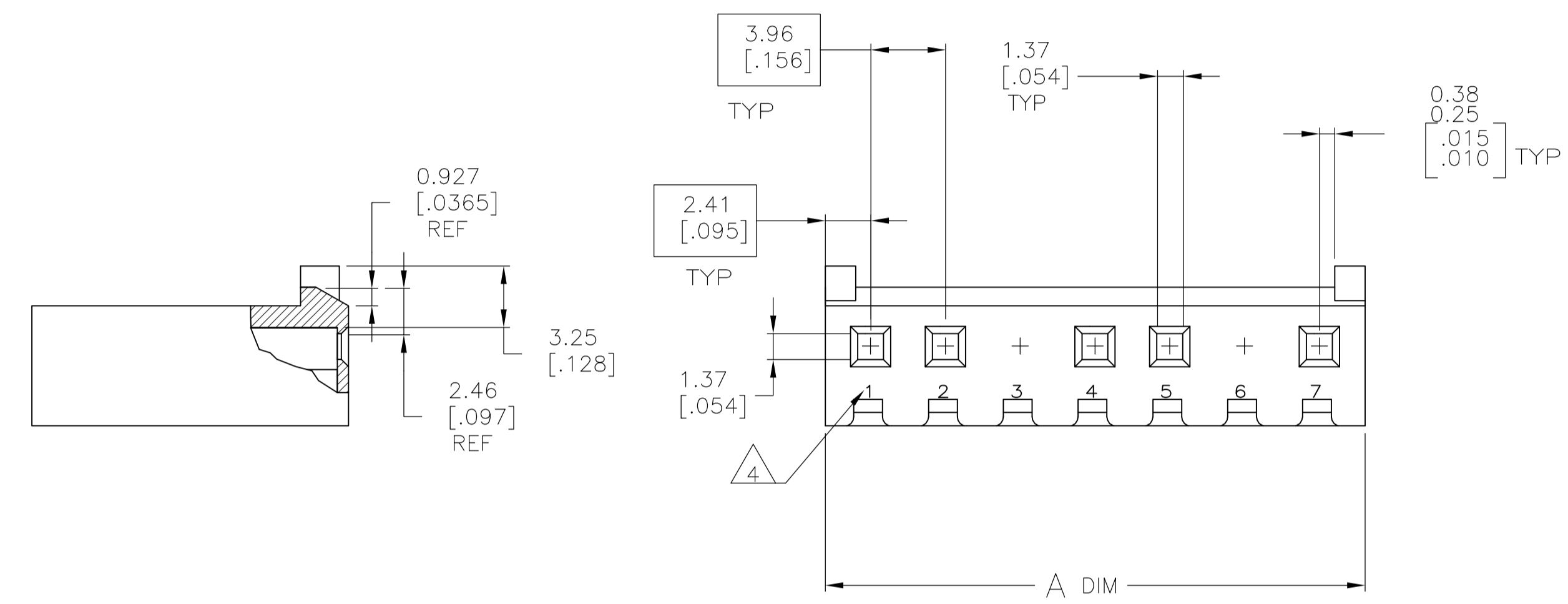


LOC		DIST		REVISIONS			
P	LTR	DESCRIPTION	DATE	DMN	APVD		
B		REVISED PER ECO-12-007807	06AUG12	KH	SM		



SCALE 10:1

- 1 UNIT ACCEPTS 1.14 [.045] SQUARE OR ROUND POST.
- 2 UNIT ACCEPTS STANDARD SL-156 CONTACTS.
- 3 UNIT ACCEPTS KEYING PLUG 640254-1 AND KEYING PIN 640255-1.
- 4 CIRCUIT I.D. NUMBER(S), TO BE LOCATED SEQUENTIALLY AS SHOWN.
- 5 DIMENSIONS IN BRACKETS ARE IN INCHES.
- 6 OPTIONAL CONSTRUCTION (BOTH CORNERS) UP TO 0.38 [.015] FOR P/N -1 THRU -5, UP TO 1.27 [.050] FOR P/N -6 THRU 2--4.
- 7 ACCEPTS UP TO 2.79 [.110] INSULATION WIRE.



3-DIMENSIONAL MODEL NTS

3 & 6	28.60 [1.126]	7	1744134-7
CKT NO BLOCKED	A #0.25 [.010]	NO. OF CIRCUITS	PART

THIS DRAWING IS A CONTROLLED DOCUMENT.		DIN K. WHITAKER 29JUN2005		STE TE Connectivity	
DIMENSIONS: mm [INCHES]		CHK D. ROSSI 29JUN2005		NAME	
TOLERANCES UNLESS OTHERWISE SPECIFIED:		APVD D. ROSSI 29JUN2005		PRODUCT SPEC	
0. PLC ± -		APPLICATION SPEC		SIZE CAGE CODE DRAWING NO RESTRICTED TO	
1. PLC ± -		WEIGHT		A1 00779 C=1744134	
2. PLC ± -		CUSTOMER DRAWING		SCALE 4:1 SHEET 1 OF 1 REV B	
3. PLC ± 0.13 [.005]					
4. PLC ± -					
ANGLES ± ± 0° 30'					
MATERIAL NYLON, UL94V-0, NAT		FINISH -			