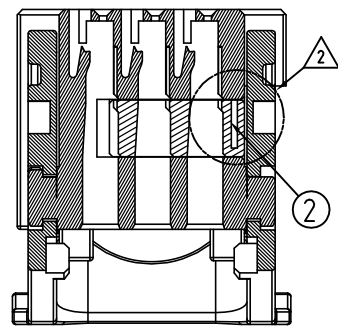
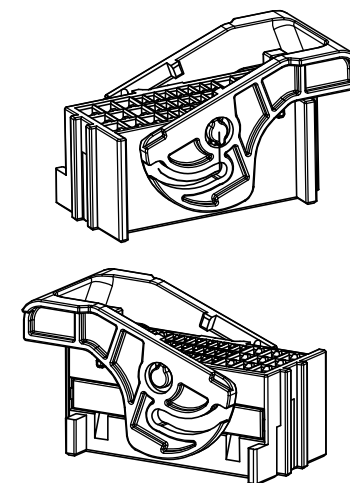
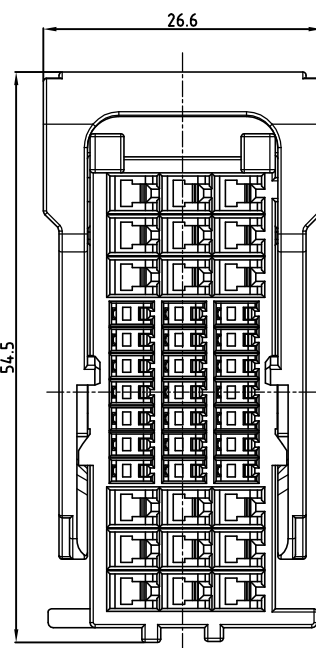
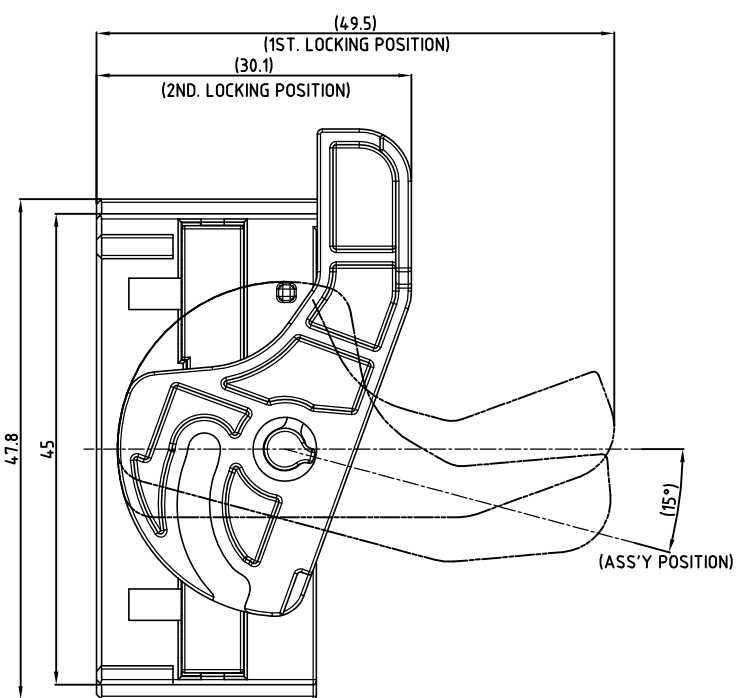
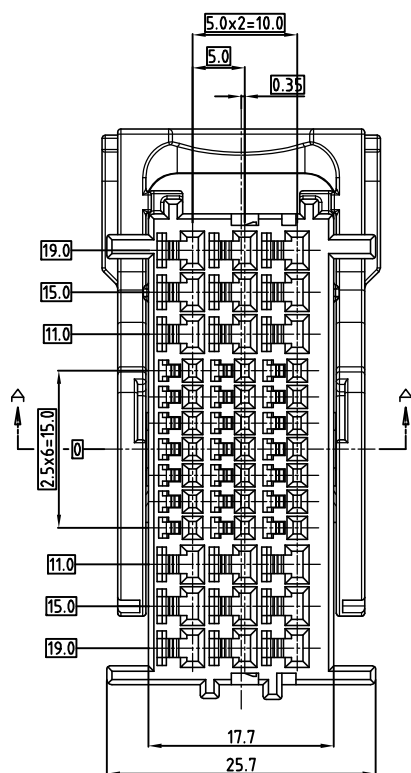
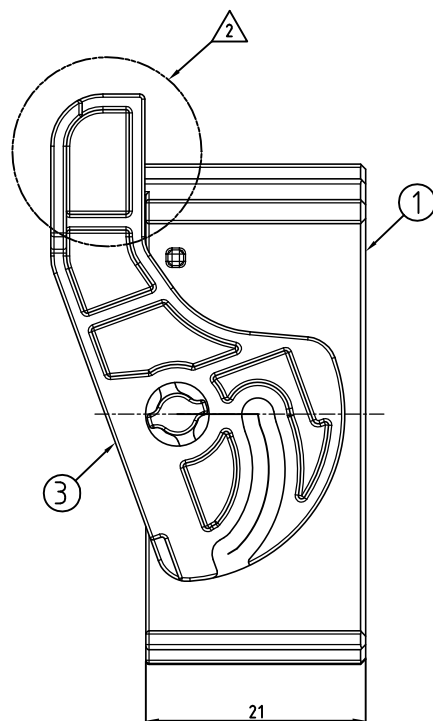
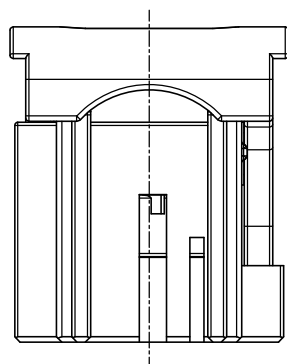


LOC	DIST	REVISIONS					
DS	-	P	LTR	DESCRIPTION	DATE	DWN	APVD
		A		RELEASED	20/DEC/05	YD.	JK



SECTION A-A



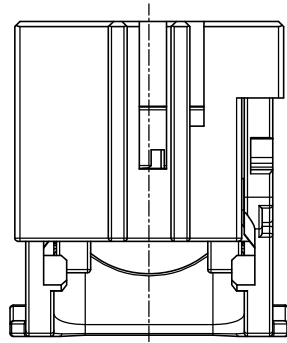
(SCALE 1:1)

NOTES:

1. GENERAL TOLERANCE IS ± 0.3
2. CONDITION OF DELIVERY :
DBL IN 1ST. LOCKING POSITION
LEVER HSG IN 2ND. LOCKING POSITION
3. APPLIED PLUG ASS'Y P/N: X-1743528-X
4. APPLIED REC. CONTACT P/N : TABLE 1
5. CHECK CONVERSION KEY CODE

TABLE 1-

TYPE	Part NO.	WIRE SIZE(mm ²)	MATERIAL/FINISH
.040	0-316836-1	0.3 - 0.85	CuNiSi ALLOY / PRE-TIN
	0-368085-1	0.3 - 0.5	CuNiSi ALLOY / 0--PRE-TIN / 1--GOLD
1-368085-1			
.090	0-368084-1	0.85 - 1.25	CuNiSi ALLOY / 0--PRE-TIN / 1--GOLD
	1-368084-1		
	0-368083-1	2.0	
	1-368083-1		



5. SHAPE OF CONVERSION TYPE(TABLE 1.)

0-1743531-1(NATURAL)	2-1743531-3(GRAY)
3.0	7.0

ASS'Y P/NO.

NO.	P/N	DESCRIPTION	MATERIAL	COLOR	Q'TY
3	0-1743534-2	LEVER HSG	PBT GF10	BLACK	1
2	0-1743533-1	DBL HSG	PBT	NATURAL	1
1	2-1743532-3	PLUG HSG	PBT GF30	GRAY	1
1	0-1743532-1	PLUG HSG	PBT GF30	NATURAL	1

THIS DRAWING IS A CONTROLLED DOCUMENT FOR TYCO ELECTRONICS CORPORATION. IT IS SUBJECT TO CHANGE AND THE CONTROLLING ENGINEERING ORGANIZATION SHOULD BE CONTACTED FOR THE LATEST REVISION.

DIMENSIONS: mm	TOLERANCES UNLESS OTHERWISE SPECIFIED: 0-XX-10 ± 0.2 10-XX-30 ± 0.25 30-XX ± 0.3 ANGLES $\pm 3^\circ$
3rd ANGLE PROJECTION	
MATERIAL: SEE TABLE	FINISH:

DWN : YD. LEE	CHK : BM JANG	APVD : CS LEE	PRODUCT SPEC	APPLICATION SPEC	WEIGHT
AMP KOREA, kyungsan, korea					
NAME: 040/090 HYBRID 39P PLUG ASS'Y FOR LIF CONNECTOR(LHD)					
SIZE: A2	CAGE CODE: 00779	DRAWING NO: 1743531	RESTRICTED TO		
SCALE: 2/1		SHEET: 1 OF 1		REV: A	