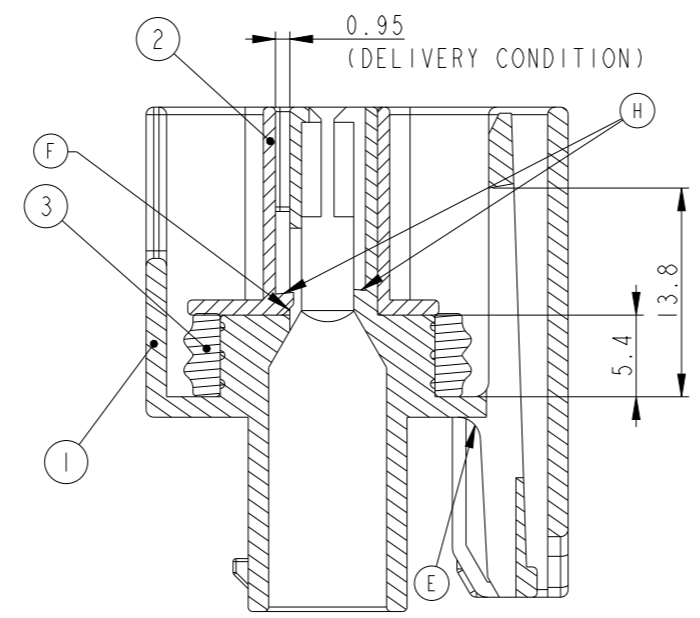
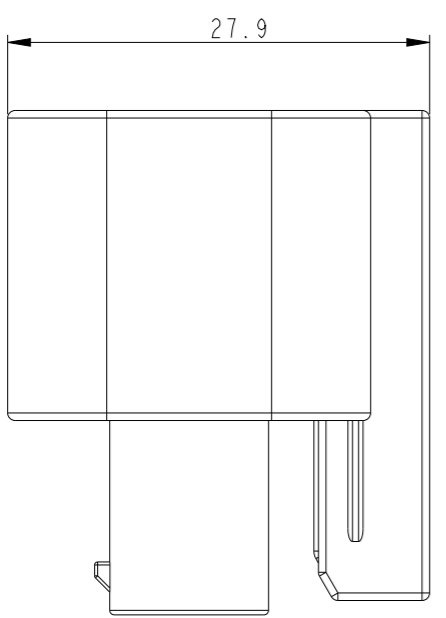
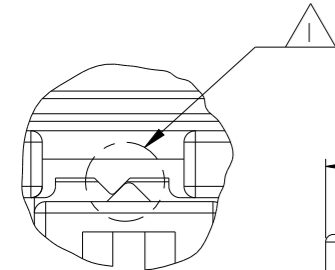
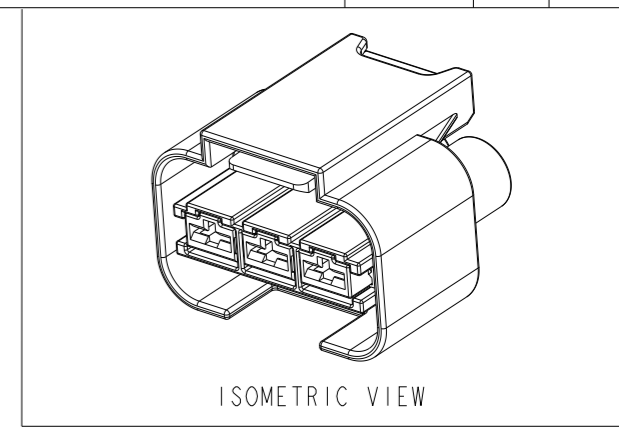
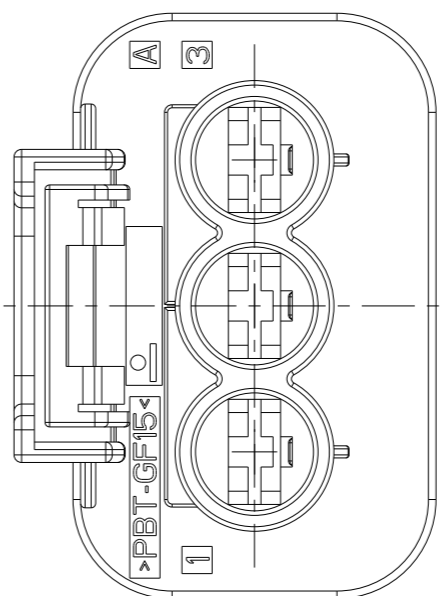
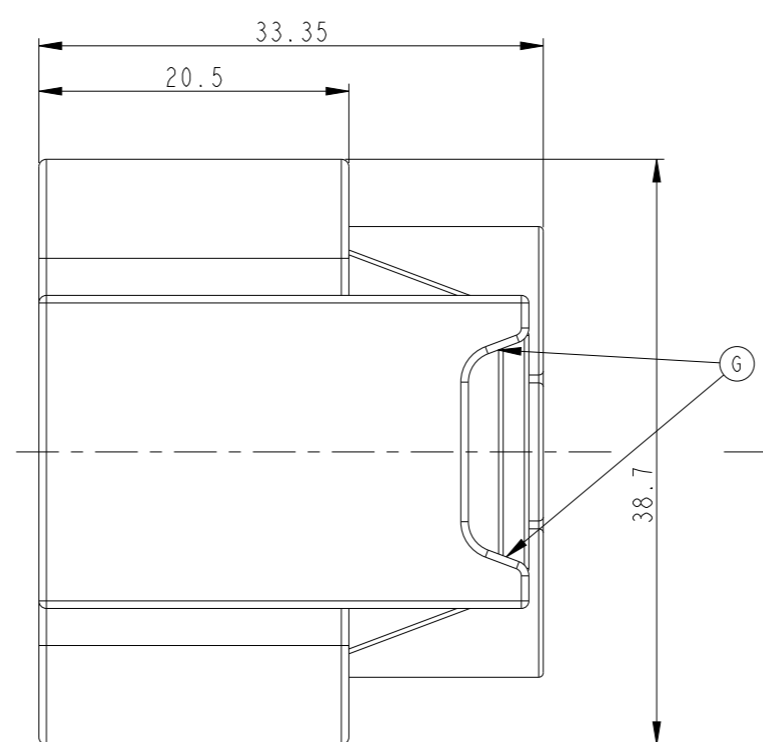
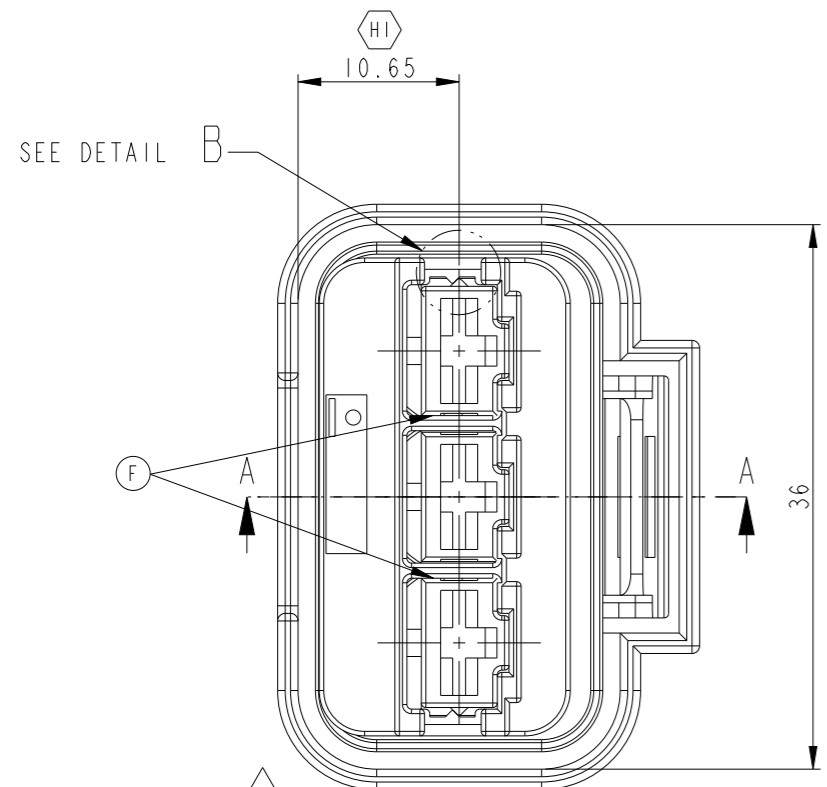


P	LTR	DESCRIPTION	DATE	DWN	APVD
F		REVISED (ECR-18-010532)	25JUN2018	TY	YJ
G		REVISED (ECR-18-013276)	26NOV2018	CH	YJ
H		REVISED (ECR-21-104386)	15MAY2021	CI	YJ
HI		REVISED (ECR-24-214630)	12JUL2024	DG	YH



- NOTE
- CONDITION OF DELIVERY : DBL HSG IN OPEN POSITION
 - APPLIED WIRE COVER HSG P/N : X-1743274-X (CORRUGATE DIA : Ø9)
 - APPLICABLE RECEPTACLE CONTACT P/N :

CONTACT P/N	SPT TERMINAL		
	927836	927835	928966
WIRE SIZE(mm ²)	0.5~1.0	1.0~2.5	2.5~4.0

- GENERAL TOLERANCE : ±0.3, ±3°
- APPLICABLE WIRE SEAL P/N:

PART NO.	WIRE INSULATION DIAMETER(mm)	COLOR
963243-1	1.4~2.1	BLUE
963244-1	2.2~3.0	WHITE
963245-1	3.4~3.7	YELLOW
100132-1	CAVITY PLUG	BLACK

ASS'T P/N	Q'TY
1743271-3	1
1743271-2	1

NO	COLOR	MATERIAL	DESCRIPTION	Q'TY
3	RED ORANGE	SILICONE	INNER SEAL FOR SPT SEALED 3P PLUG	1
2	NATURAL	PBT-GF10	DBL HSG FOR SPT SEALED 3P PLUG	1
1	GRAY	PBT-GF15	SPT SLEALED 3P PLUG HSG	1
	BLACK			-

THIS DRAWING IS A CONTROLLED DOCUMENT.

DIMENSIONS: mm	TOLERANCES UNLESS OTHERWISE SPECIFIED:
	0 PLC ±
	1 PLC ±
	2 PLC ±
	3 PLC ±
	4 PLC ±
	ANGLES ±
MATERIAL	FINISH ±
SEE TABLE	

DWN
CH PARK
CHK
YM CHOI
APVD
JK SONG
PRODUCT SPEC

APPLICATION SPEC

WEIGHT

CUSTOMER DRAWING

TE TE Connectivity

NAME
SPT SEALED 3P PLUG ASS'Y

SIZE	CAGE CODE	DRAWING NO	RESTRICTED TO
A3	00779	C-1743271	-

SCALE 2:1 SHEET 1 OF 1 REV HI