

THIS DRAWING IS UNPUBLISHED.

RELEASED FOR PUBLICATION

ALL RIGHTS RESERVED.

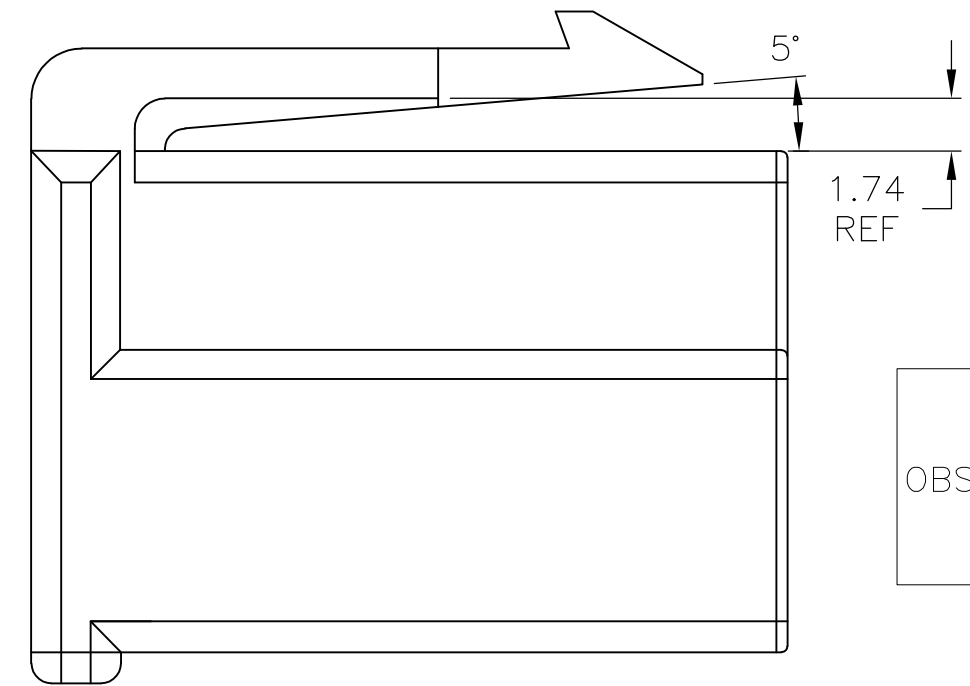
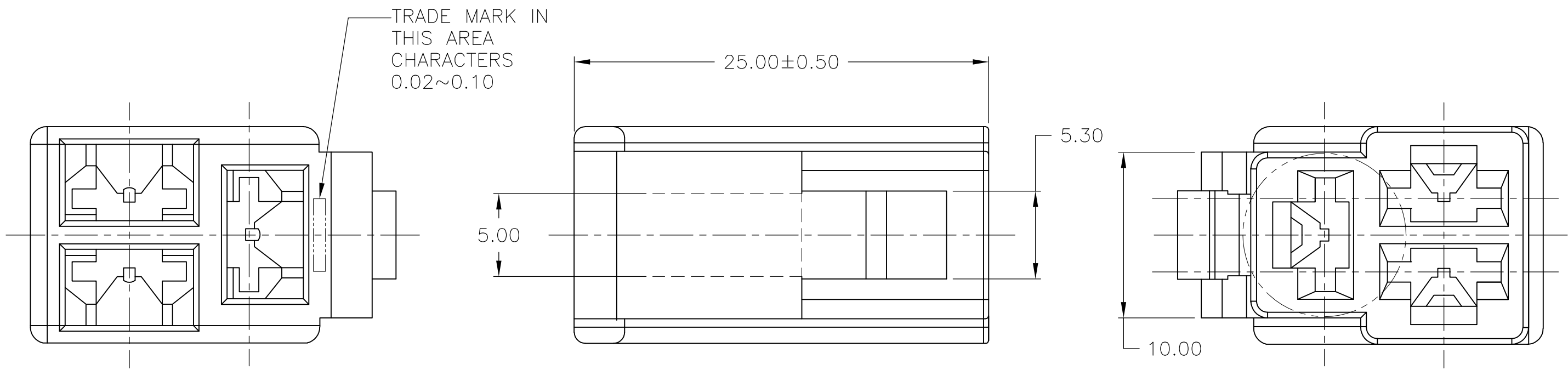
© COPYRIGHT - By -

LOC

DIST

REVISIONS

| P | LTR | DESCRIPTION | DATE      | DWN | APVD |
|---|-----|-------------|-----------|-----|------|
|   | A   | NEW DRAWING | 09DEC2014 | NK  | LP   |



|             |                            |             |
|-------------|----------------------------|-------------|
| OBSOLETE    | 250 FASTON 3P PLUG HOUSING | 174200-7    |
|             | 250 FASTON 3P PLUG HOUSING | 174200-5    |
|             | 250 FASTON 3P PLUG HOUSING | 174200-2    |
|             | 250 FASTON 3P PLUG HOUSING | 174200-1    |
| DESCRIPTION |                            | PART NUMBER |

THIS DRAWING IS A CONTROLLED DOCUMENT.

DWN 09DEC2014 NAGALAKSHMI K

CHK PAN, LEI 09DEC2014

APVD PAN, LEI 09DEC2014

PRODUCT SPEC

APPLICATION SPEC

WEIGHT -

CUSTOMER DRAWING

STE TE Connectivity

NAME

250 FASTON PLUG 3P BLACK

|      |           |            |               |
|------|-----------|------------|---------------|
| SIZE | CAGE CODE | DRAWING NO | RESTRICTED TO |
| A3   | 00779     | C-174200   | -             |

| DIMENSIONS: | TOLERANCES UNLESS OTHERWISE SPECIFIED: |
|-------------|--|
| mm          |  |
|             | 0 PLC ± -                              |
|             | 1 PLC ± -                              |
|             | 2 PLC ± 0.30                           |
|             | 3 PLC ± -                              |
|             | 4 PLC ± -                              |
|             | ANGLES ± 1°                            |
| MATERIAL    | FINISH                                 |
| -           | -                                      |

|       |        |     |
|-------|--------|-----|
| SCALE | SHEET  | REV |
| 4:1   | 1 OF 1 | A   |