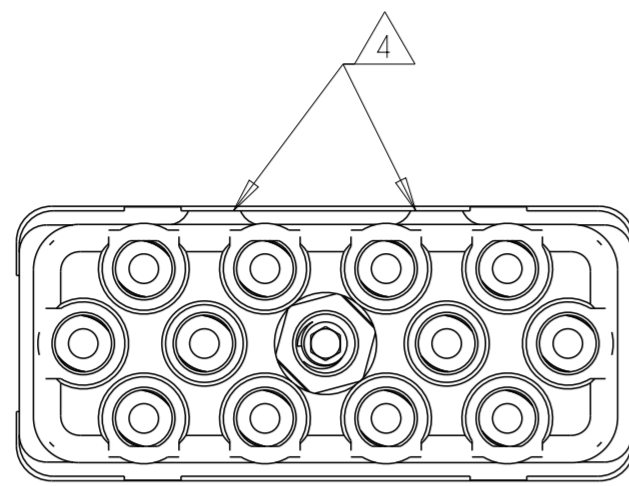
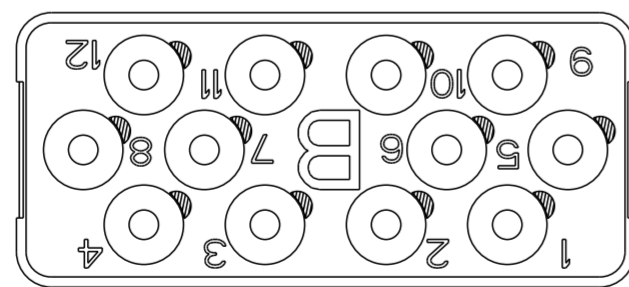
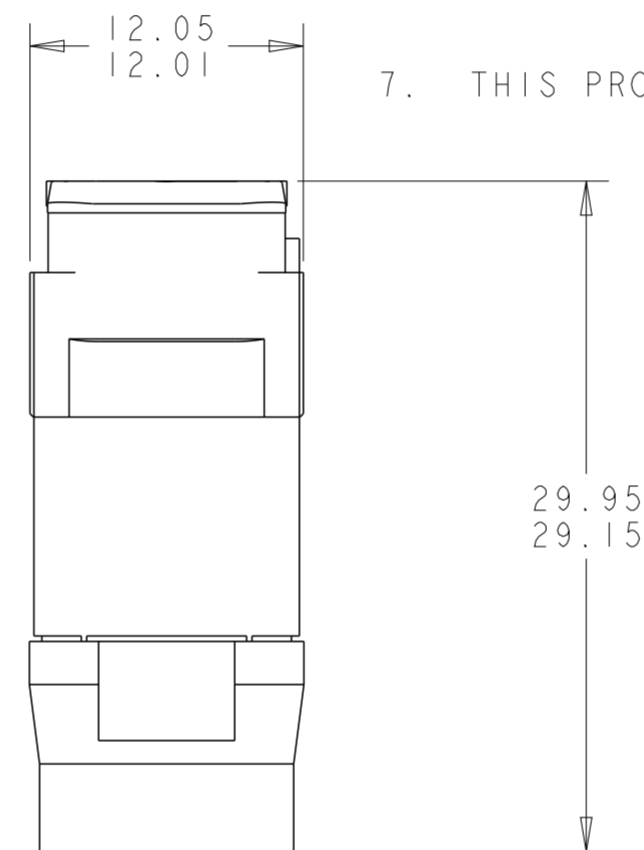
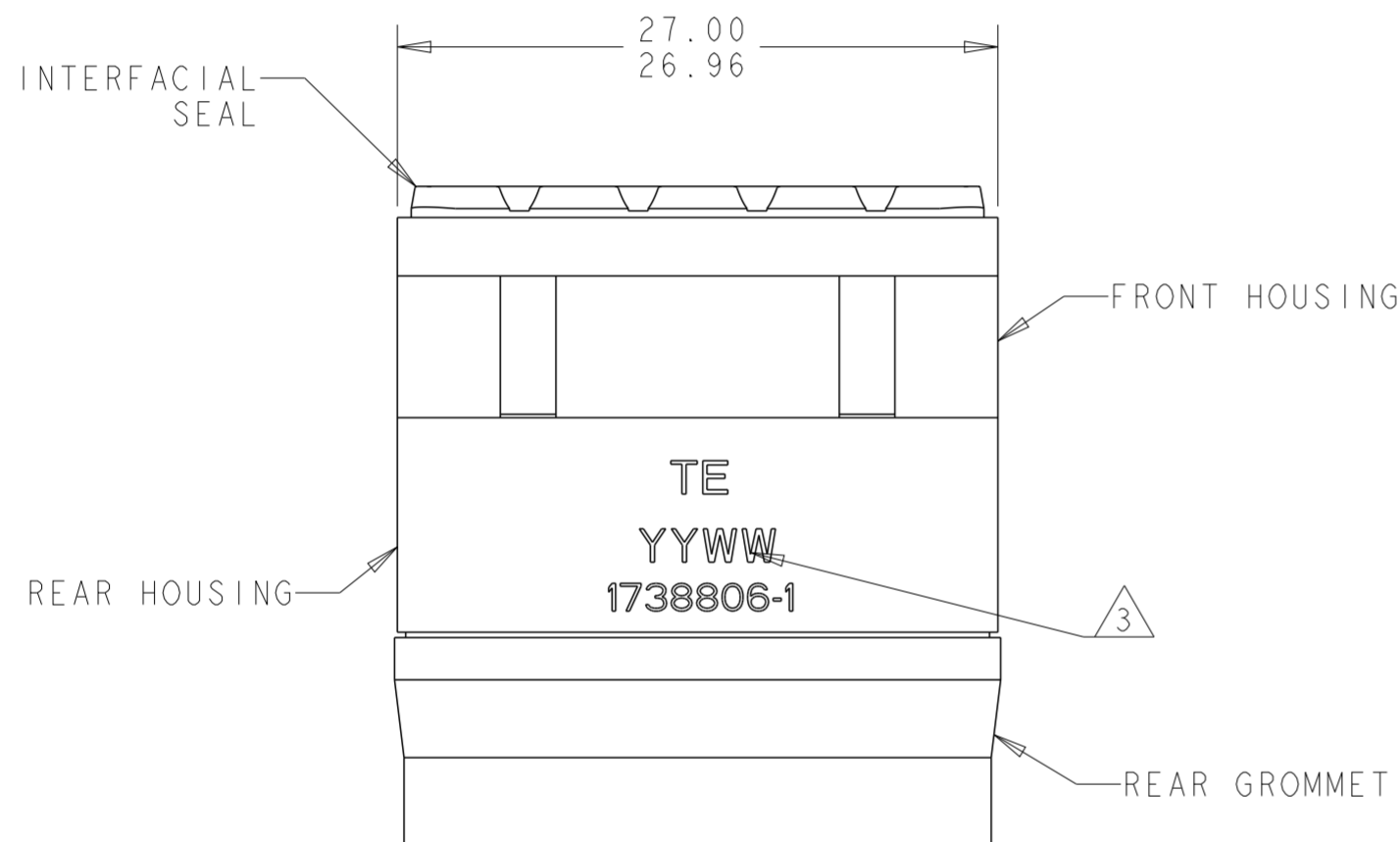


THIS DRAWING IS UNPUBLISHED. RELEASED FOR PUBLICATION 20
 © COPYRIGHT 20 BY - ALL RIGHTS RESERVED.

LOC		DIST		REVISIONS			
P	LTR	DESCRIPTION	DATE	DWN	APVD		
5		REVISED PER ECO-14-016550	18NOV14	MGM	CT		



MATING FACE



REAR FACE

- 1. FRONT HOUSING & REAR HOUSING: ALUMINUM ALLOY
 TERMINI RETENTION CLIPS: COPPER ALLOY PER ASTM B194
 HOUSING NUT & REAR RETAINING SCREW: STAINLESS STEEL PER AISI 303
 REAR GROMMET & INTERFACIAL SEAL: FLUOROSILICONE ELASTOMER
 PER MIL-R-25988B EXCEPT 4.6.6.1
- 2. FRONT HOUSING, REAR HOUSING: CLEAR ANODIZED.
- 3. DATE CODE: YEAR & WEEK (YY WW)
 THE PART NUMBER MAY BE LOCATED ON EITHER THE REAR HOUSING OR THE REAR GROMMET.
- 4. KEYING FEATURES: TWO PROTRUSIONS FOR KEYING CODE B
- 5. THE F12 SLEEVE HOLDER IS AVAILABLE SEPARATELY, TECC P/N 1811769-1.
- 6. DESCRIPTIVE PART NUMBER GPRBEF12PB
 THIS INSERT CONTAINS: 12 CAVITIES FOR SIZE 16 ARINC 801 OPTICAL CONTACTS.
- 7. THIS PRODUCT IS SOLD BY TE CONNECTIVITY UNDER A LICENSE FROM RADIAL SA.

1738806-1
 PART NUMBER

THIS DRAWING IS A CONTROLLED DOCUMENT. DIMENSIONING AND TOLERANCING PER ASME Y14.5M-2009		DWN BW	28FEB2005	STE TE Connectivity	
DIMENSIONS: mm		CHK JPM	28FEB2005		
TOLERANCES UNLESS OTHERWISE SPECIFIED:		APVD JPM	28FEB2005	NAME INSERT ASSEMBLY, WITHOUT SLEEVE HOLDER, ENVIRONMENTAL, F12, KEY B, GPRB	
0 PLC ±	1 PLC ±	PRODUCT SPEC	SIZE CAGE CODE DRAWING NO RESTRICTED TO		
2 PLC ±0.1	3 PLC ±0.13	APPLICATION SPEC	A200779 C-1738806		
4 PLC ±	ANGLES ±	WEIGHT	SCALE 3:1 SHEET 1 OF 1 REV 5		
MATERIAL	FINISH	Customer Drawing			