

REVISIONS				
REV	DATE	DESCRIPTION	BY	APP'D
0	04/04	CONVERTED RADIAL DWG TO TYCO ACAD DWG	RF	JM
1	25FEB10	REVISED	RF	JM
2	07APR10	REVISED	RF	JM

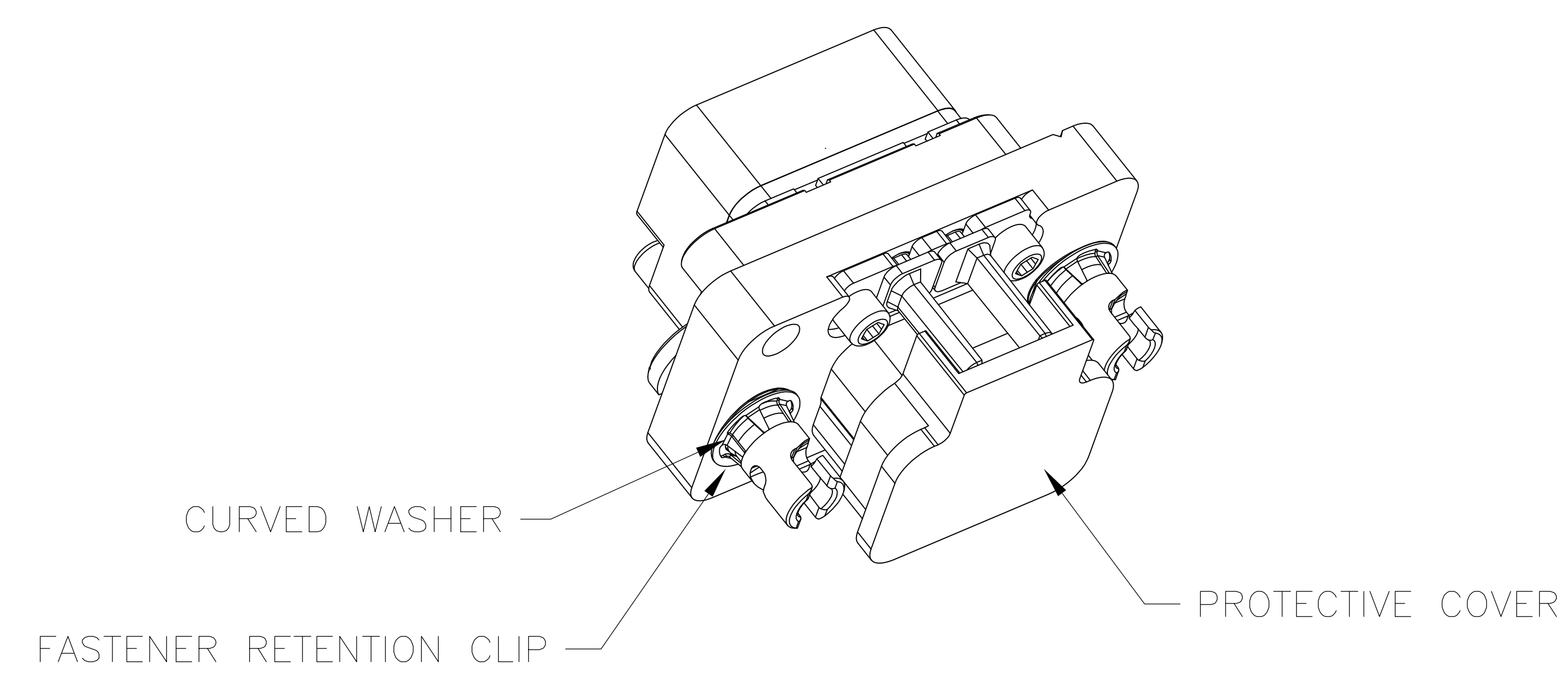
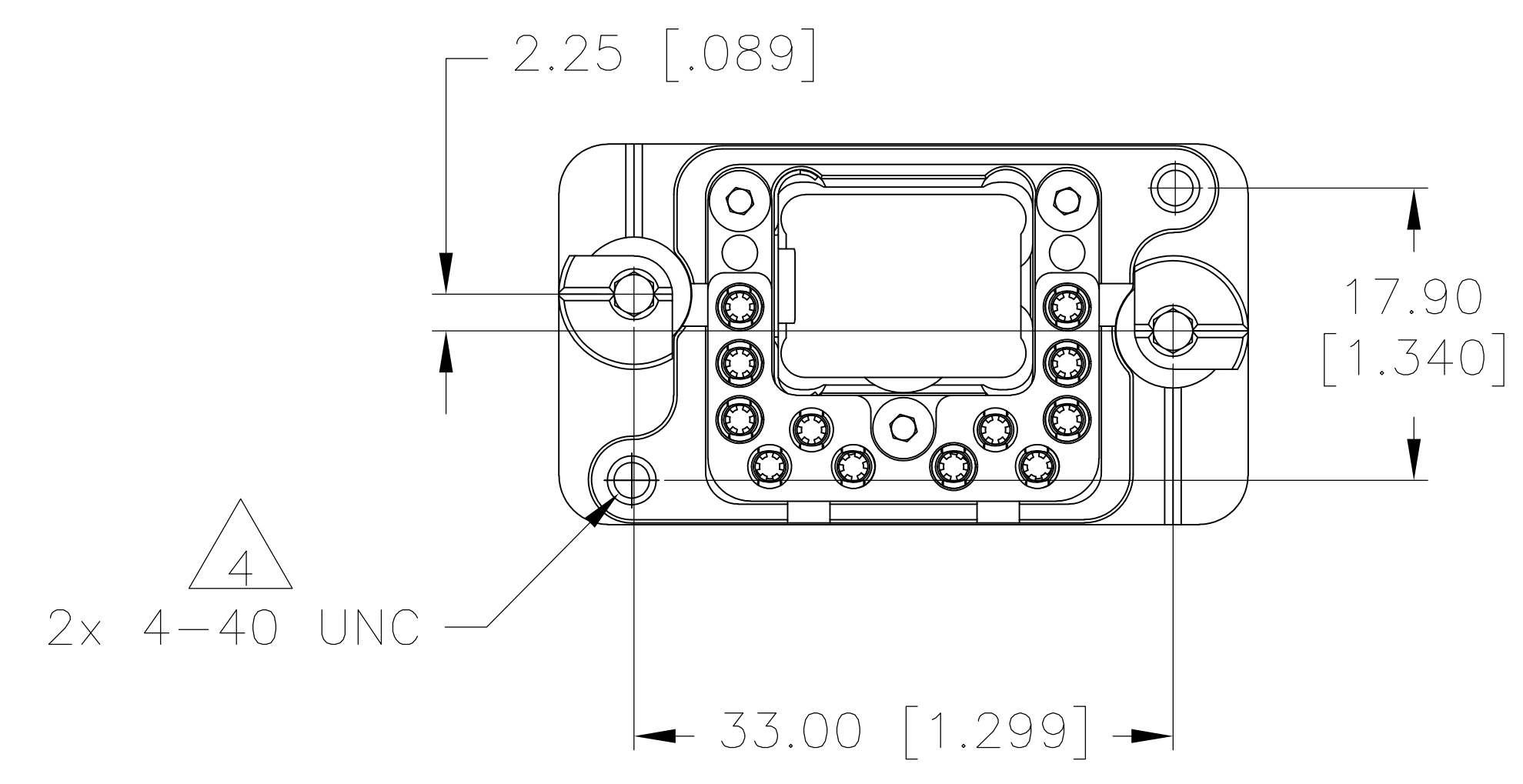
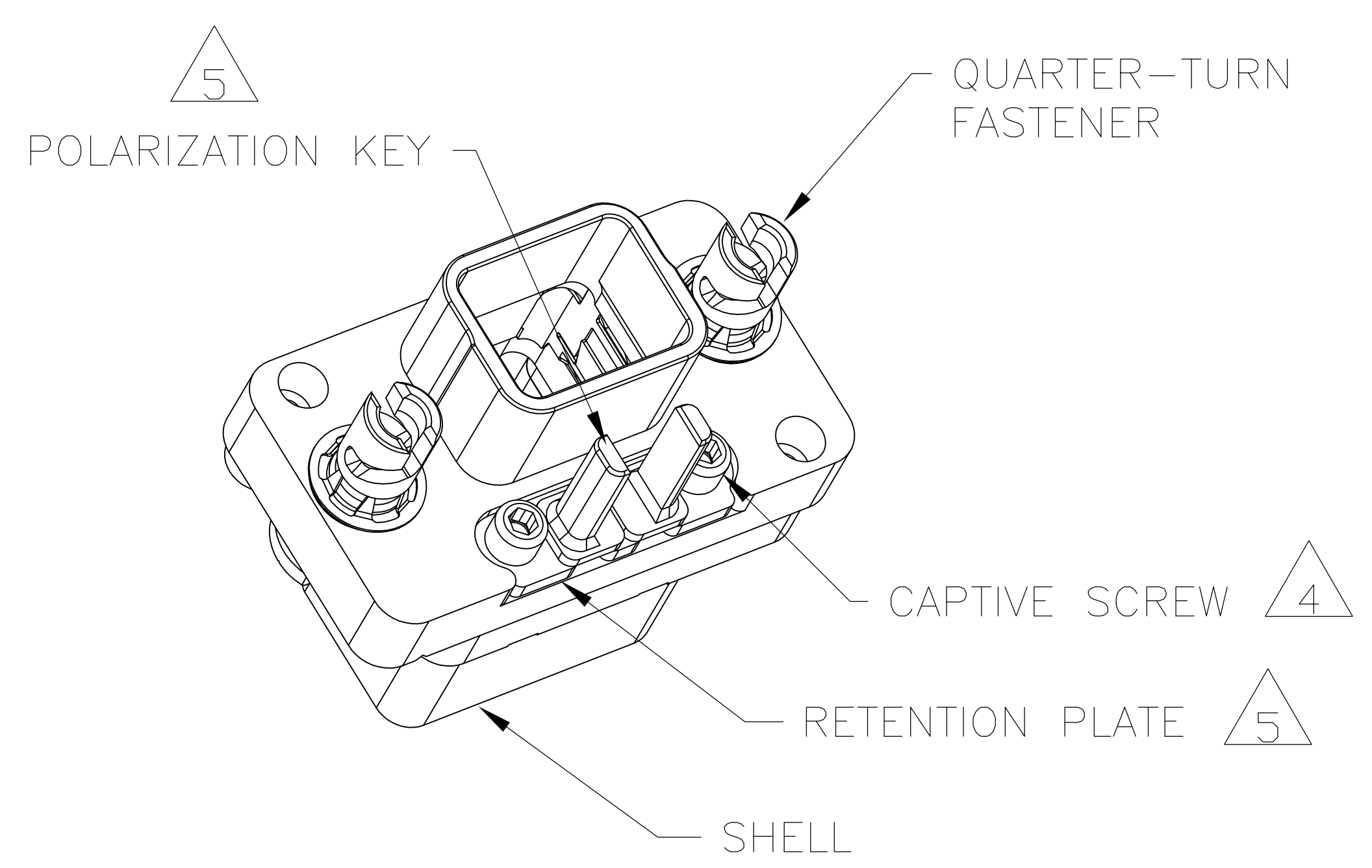
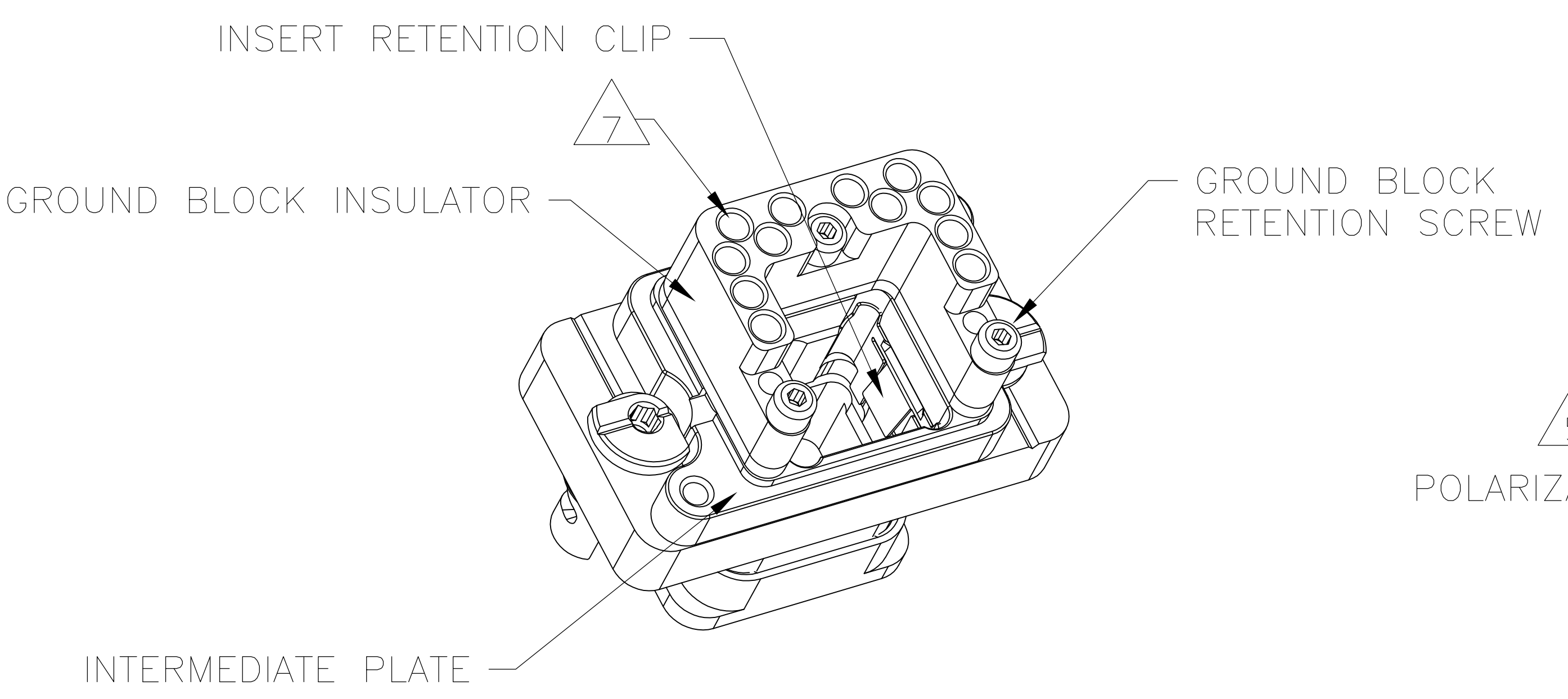
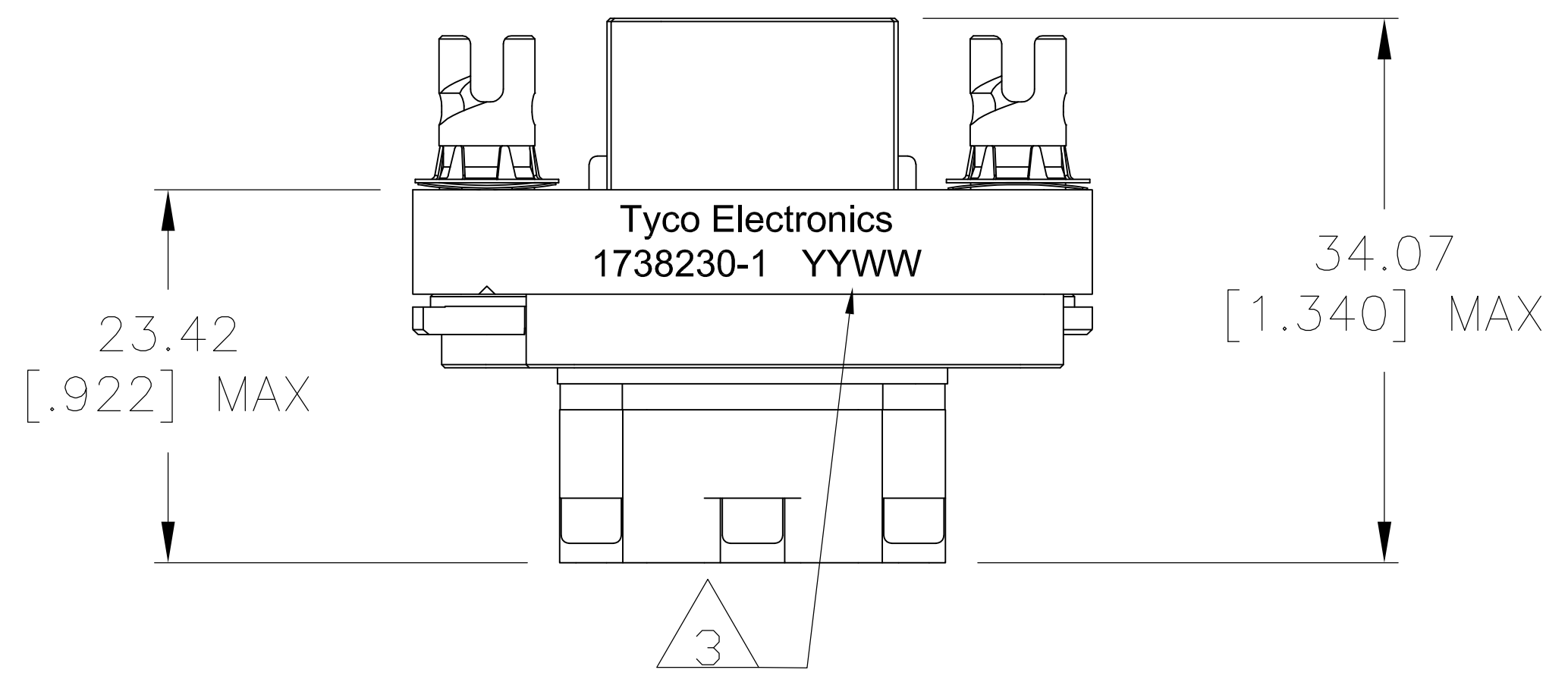
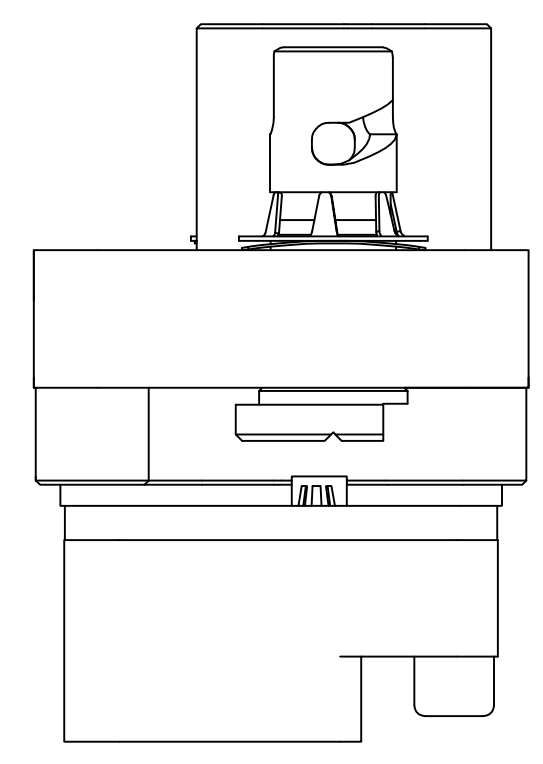
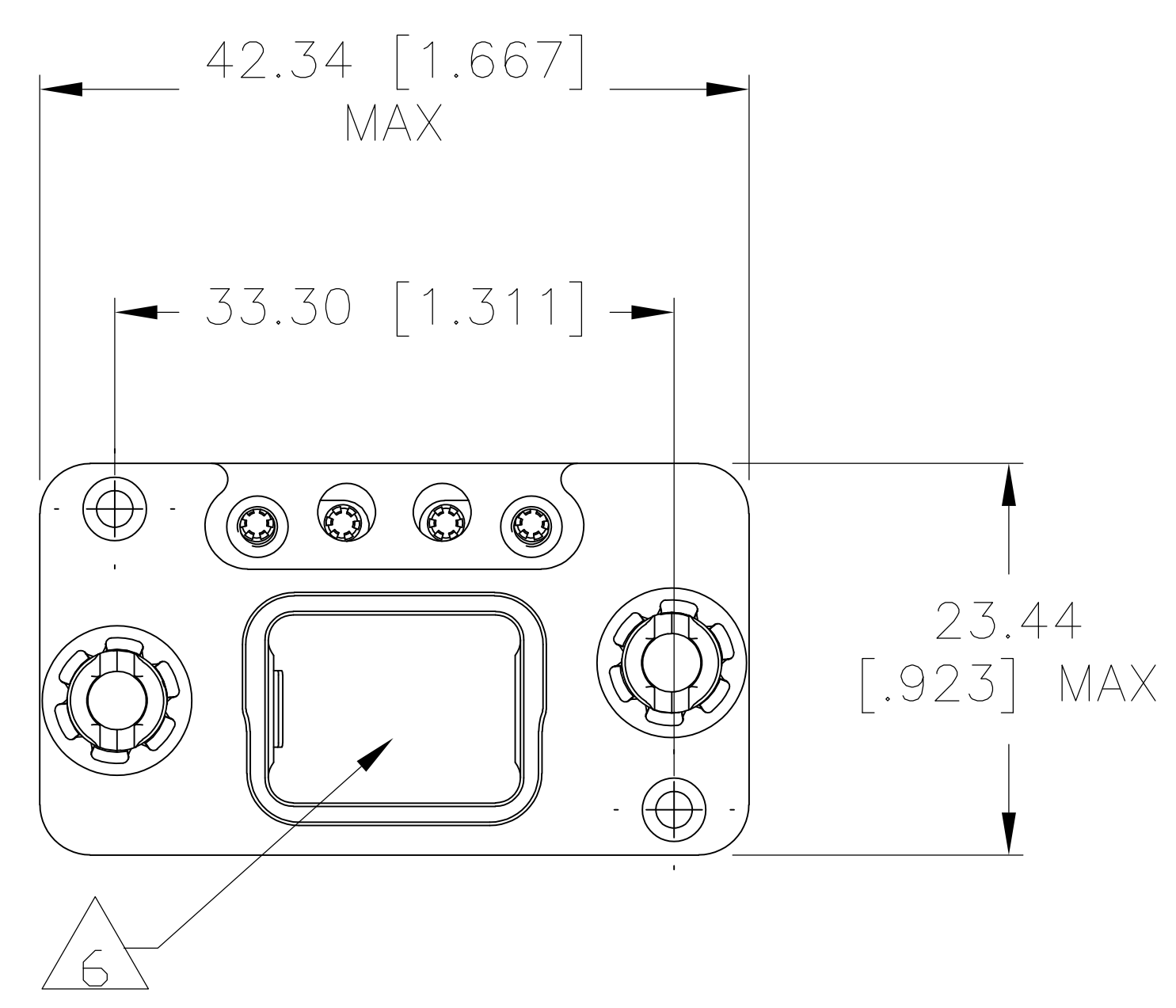
1 SHELL & KEY RETENTION PLATE: ALUMINUM ALLOY  
 QUARTER-TURN FASTENER: COPPER ALLOY PER ASTM B196  
 INSERT RETENTION CLIP, CURVED WASHER & FASTENER RETENTION CLIP: COPPER ALLOY PER ASTM B194  
 GROUND BLOCK RETENTION SCREW & CAPTIVE SCREW: STAINLESS STEEL PER AISI 303  
 INTERMEDIATE PLATE: COPPER ALLOY PER ASTM B103  
 SCREW RETENTION CLIPS: STAINLESS STEEL PER AISI 304  
 GROUNDING BLOCK INSULATOR & POLARIZATION KEY: PEI THERMOPLASTIC PER ASTM D5205  
 PROTECTIVE COVER: THERMOPLASTIC ELASTOMER

2 SHELL: ELECTROLESS NICKEL PER SAE AMS-C-26074, CLASS 1.  
 INTERMEDIATE PLATE: ELECTROLYTIC NICKEL PER SAE AMS-QQ-N-290  
 KEY RETENTION PLATE: ANODIZED, CLEAR  
 GROUNDING CLIP: 1.27µm [50 µin] MIN GOLD PER ASTM B488 OVER 1.25 µm [50 µin]  
 MIN NICKEL PER SAE AMS-QQ-N-290.

- 3 DATE CODE - YEAR & WEEK (YY WW)
- 4 4-40 CAPTIVE SCREWS ON KEY RETENTION PLATE-RECOMMENDED LOCKING TORQUE: 0.8 N.m [7in-lb]
- 5 THE POLARIZATION KEYS & RETENTION PLATE ARE SHIPPED UNASSEMBLED.
- 6 SHELL CAVITY FOR GPRB SERIES INSERTS WITH KEYING CODE A.
- 7 CAVITIES FOR GROUNDING CONTACTS PER M39029/1-101, QTY: 18

8. DESCRIPTIVE PART NUMBER: GPRA1WB04N  
 SERIES: GPRA  
 SHELL SIZE: 1 (SINGLE-CAVITY SHELL)  
 SHELL STYLE: W (PLUG, WITH GROUNDING BLOCK)  
 MODIFICATION CODE: B (NO MOUNTING HOLES)  
 LOCKING DEVICE: 0 (QUARTER-TURN FASTENER)  
 POLARIZATION CODE: 4 (KIT, WITH POLARIZING HARDWARE UNASSEMBLED)  
 SHELL PLATING: N (NICKEL PLATING)

9. THIS PRODUCT IS SOLD BY TYCO ELECTRONICS UNDER A LICENSE FROM RADIAL SA.



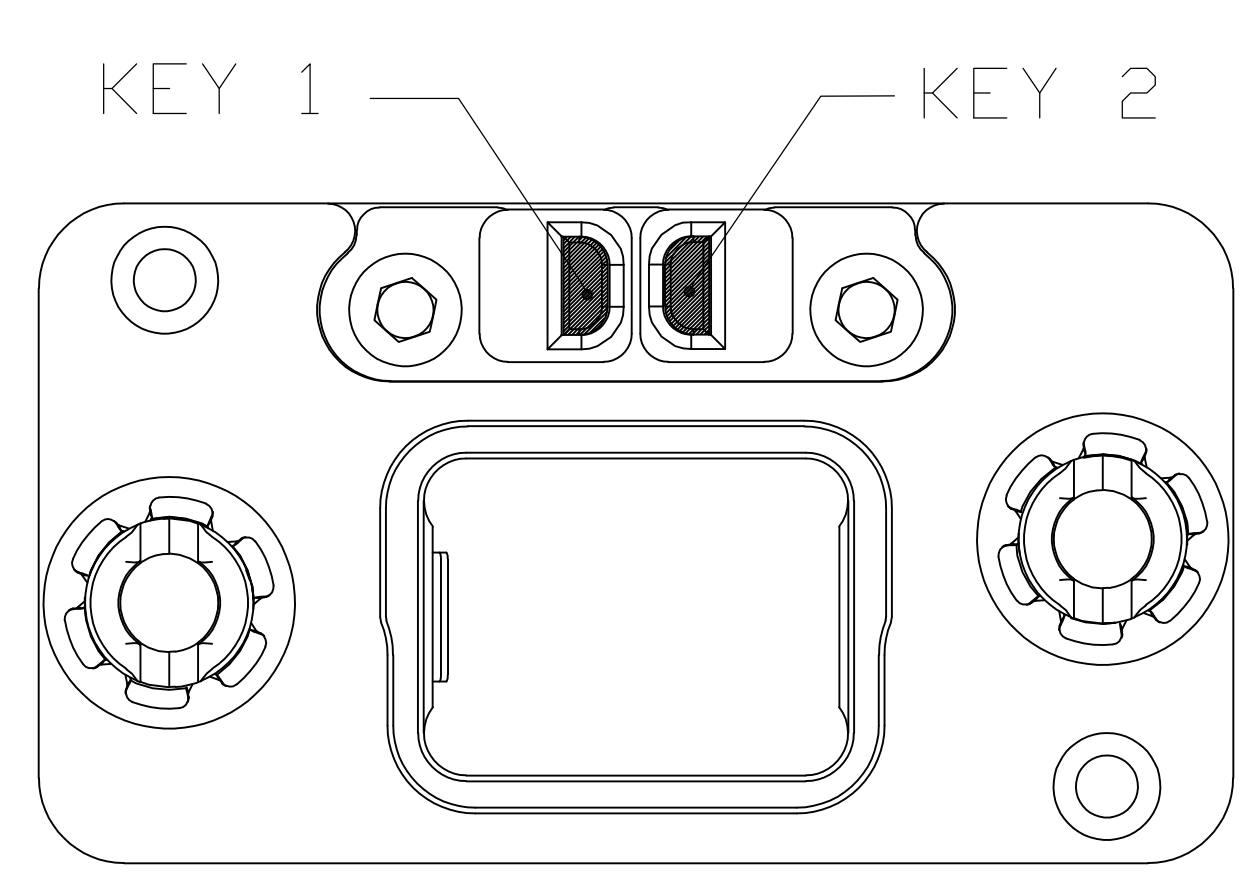
THIS PRINT IS  
**PRELIMINARY**  
 UNQUALIFIED PRODUCT  
 CONTACT PRODUCT ENGINEERING  
 BEFORE USING THIS PRINT

1738230-1  
 PART NUMBER

THIS DRAWING IS A CONTROLLED DOCUMENT.		DATE	BY	APP'D	Tyco Electronics Corporation Harrisburg, Pa 17105-3608	
0	04/04	CONVERTED RADIAL DWG TO TYCO ACAD DWG	RF	JM		
1	25FEB10	REVISED	RF	JM		
2	07APR10	REVISED	RF	JM		

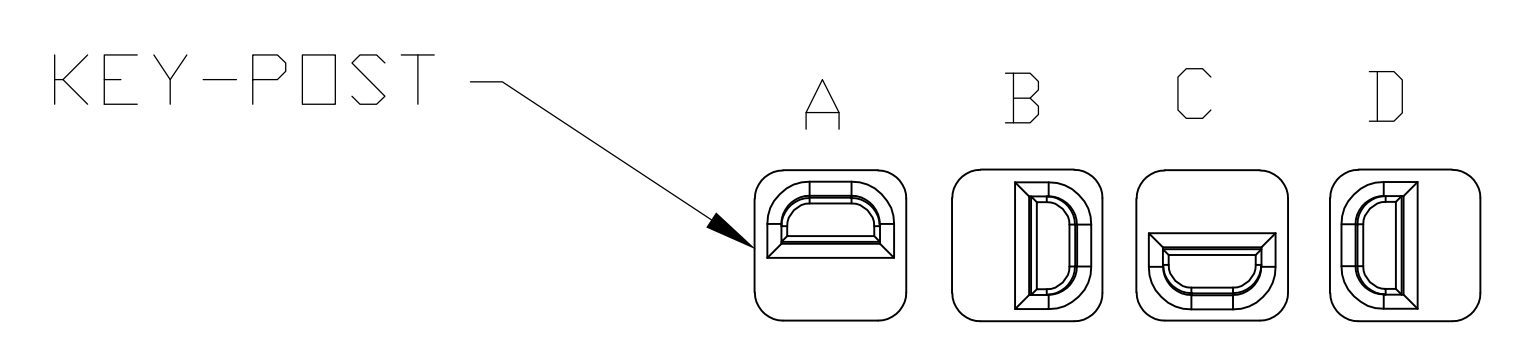
  

DESIGNER	J. MOSIER	DATE	04/04
DRAWN	J. MOSIER	DATE	04/04
CHECKED	J. MOSIER	DATE	04/04
APPROVED	J. MOSIER	DATE	04/04
PRODUCT SPEC	PLUG SHELL KIT		
APPLICATION SPEC	WITH GROUND BLOCK, WITH POLARIZING HARDWARE		
SCALE	1:1	DRAWING NO	1738230
WEIGHT		REV	2
CUSTOMER DRAWING		SHEET	1 of 2



CODE NUMBER 08 SHOWN: B-D  
 POLARIZATION KEY 1 ——— POLARIZATION KEY 2

PLUG CONNECTOR POLARIZATION



CODE NUMBER	KEY 1	KEY 2
01	A	A
02	A	B
03	A	C
04	A	D
05	B	A
06	B	B
07	B	C
08	B	D
09	C	A
10	C	B
11	C	C
12	C	D
13	D	A
14	D	B
15	D	C
16	D	D

KEY-POST ORIENTATION

THIS PRINT IS  
**PRELIMINARY**  
 UNQUALIFIED PRODUCT  
 CONTACT PRODUCT ENGINEERING  
 BEFORE USING THIS PRINT

1738230-1  
 PART NUMBER

THIS DRAWING IS A CONTROLLED DOCUMENT.		DATE: 12-11-80	APPROX: J.E. FLAGG	APPROX: J.E. FLAGG	Tyco Electronics Corporation Harrisburg, Pa 17105-3608
DIMENSIONS: (DIMENSIONS UNLESS OTHERWISE SPECIFIED) IN (INCHES)		DESIGN: J.L. MOSIER	APPROX: J.L. MOSIER	APPROX: J.L. MOSIER	
0 P.L.C. ± .005 1 P.L.C. ± .005 2 P.L.C. ± 0.13 (0.005) 3 P.L.C. ± .005 4 P.L.C. ± .005 ANGLES: ± .005	PRODUCT SPEC: — APPLICATION SPEC: — WEIGHT: — FINISH: —	SIZE: A0 DWG CODE: 00779 DRAWING NO: 1738230	SCALE: 1:1 SHEET: 2 OF 2 REV: 2	PLUG SHELL KIT, WITH GROUND BLOCK, WITH POLARIZING HARDWARE GPRA	RESTRICTED TO: —
MATERIAL: —		CUSTOMER DRAWING			