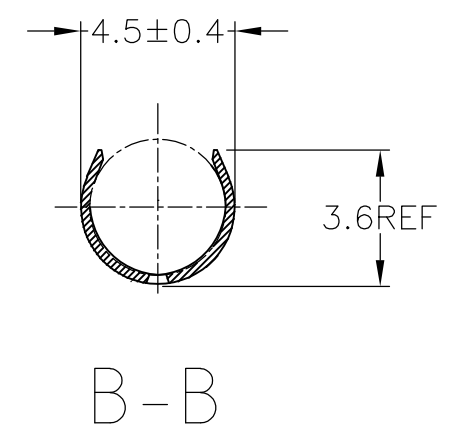
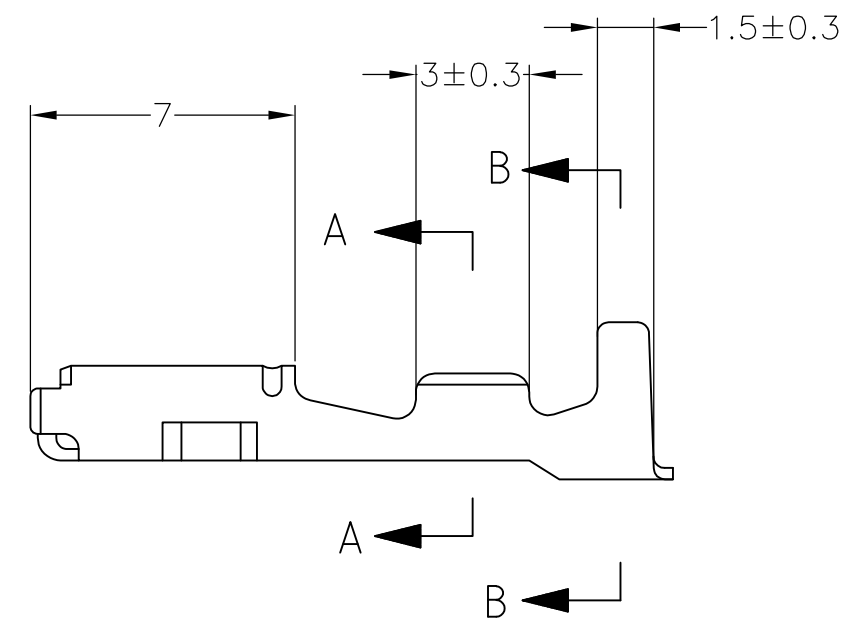
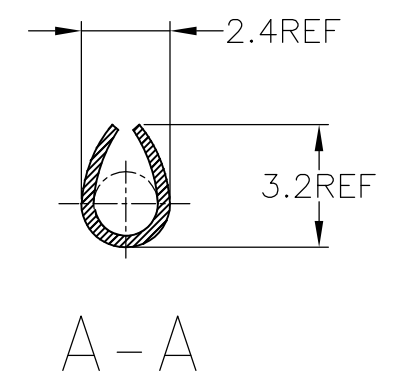
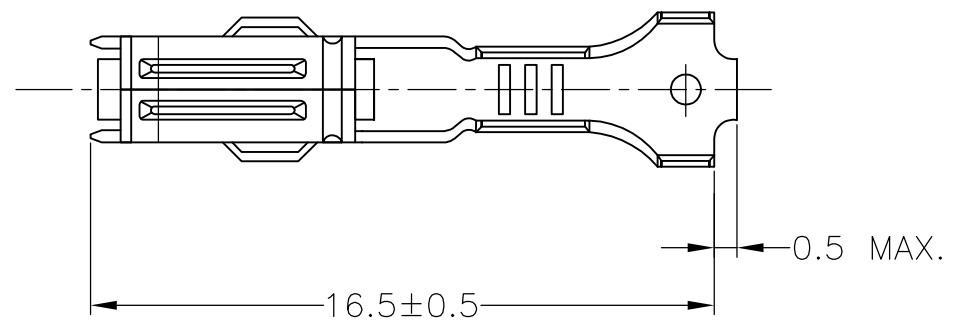
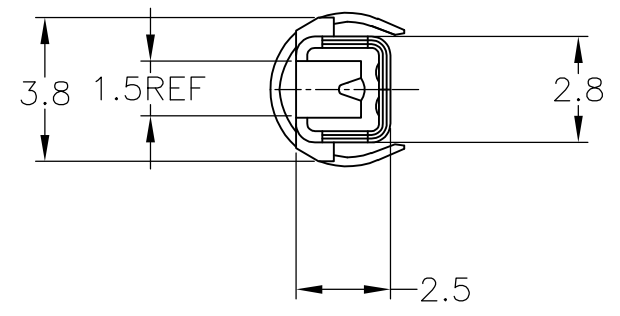


THIS DRAWING IS UNPUBLISHED. RELEASED FOR PUBLICATION
 © COPYRIGHT - By - ALL RIGHTS RESERVED.

LOC	DIST	REVISIONS 変更						
J	-	P	LTR	DESCRIPTION	ECN	DATE	DWN	APVD
			A2	REVISED PER ECO-11-005140		31MAR11	RK	HMR



1. INSTRUCTION SHEET : 411-5322
 1. 取扱説明書 : 411-5322

173707-1	173706-1	755262-1
PART NUMBER 型番	MATING PART NUMBER 嵌合相手型番	HAND TOOL NUMBER 適用工具型番

WIRE RANGE 抱合電線断面積 0.5~1.25mm ² (AWG#22-16)	INSULATION DIA 被覆外径 2~2.7mm
--	-----------------------------------

TOLERANCE UNLESS OTHERWISE SPECIFIED:
一般公差

0 < x ≤ 10	: ±0.2
10 < x ≤ 30	: ±0.25
30 < x ≤ 100	: ±0.3
ANGLE ; 角度	: ±3°

THIS DRAWING IS A CONTROLLED DOCUMENT.

DIMENSIONS: 単位: 耗 mm	TOLERANCES UNLESS OTHERWISE SPECIFIED: 一般公差
	0 - PLC ±
	1 - PLC ±
	2 - PLC ±
	3 - PLC ±
	4 - PLC ±
	ANGLES ±
MATERIAL 材料 BRASS 0.3t	FINISH 仕上 -

DWN A. YAMAGUCHI 12DEC00	TE Connectivity 070 RECEPTACLE CONTACT LOOSE PIECE
CHK K. BETSUI 12DEC00	
APVD K. BETSUI 12DEC00	
PRODUCT SPEC 製品規格	
APPLICATION SPEC 取付適用規格	NAME 名称
WEIGHT	RESTRICTED TO
CUSTOMER DRAWING	-

SIZE A3	CAGE CODE 00779	DRAWING NO 番号 G-173707	RESTRICTED TO
SCALE 尺度 2:1		SHEET 1 OF 1	REV A2