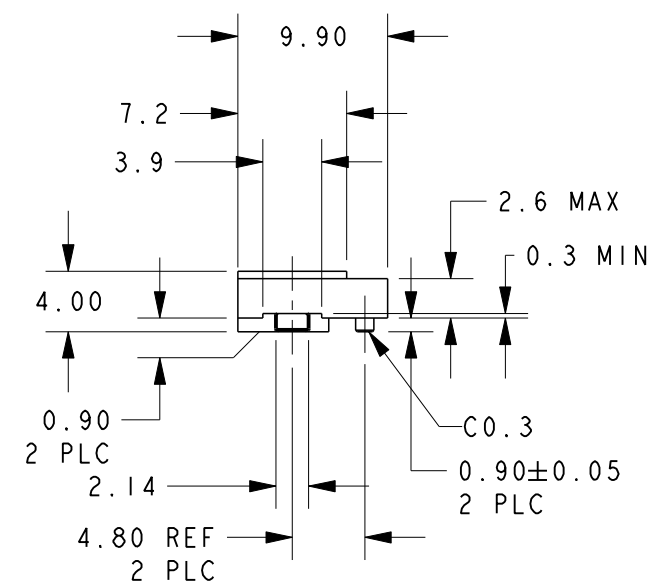
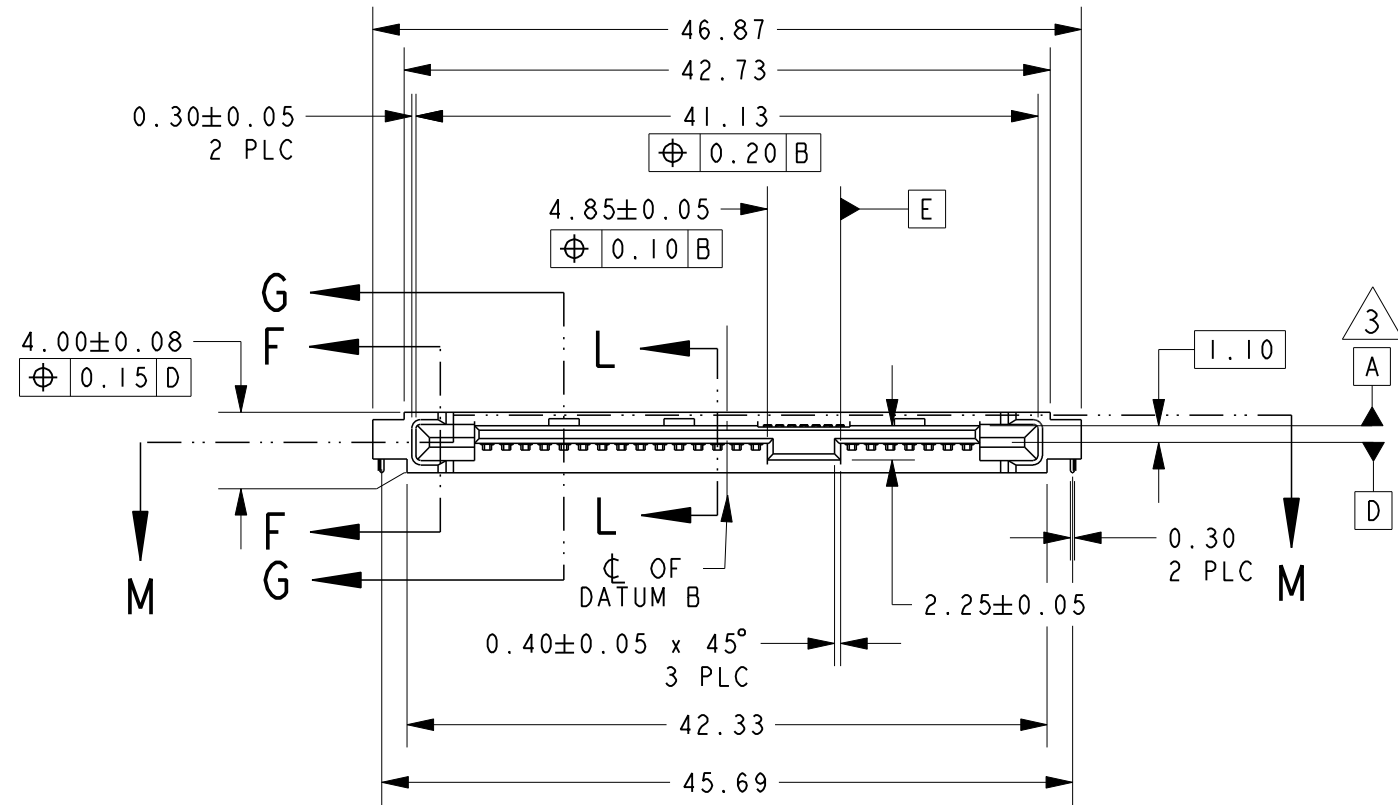
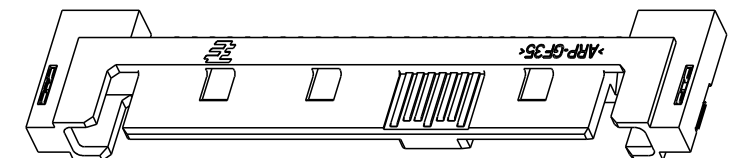


THIS DRAWING IS UNPUBLISHED. RELEASED FOR PUBLICATION .19
 © COPYRIGHT 19 BY AMP INCORPORATED. ALL RIGHTS RESERVED.

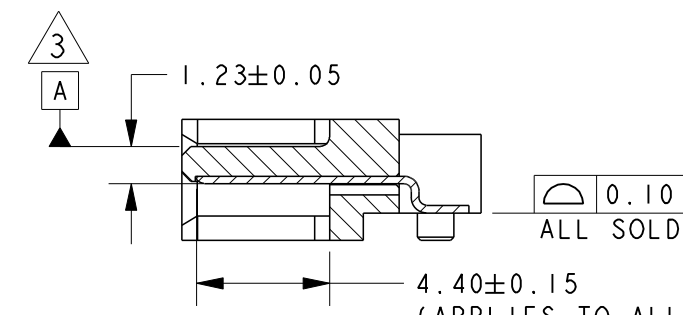
LOC		DIST		REVISIONS					
DY		-		P	LTR	DESCRIPTION	DATE	DWN	APVD
				B2		REVISED ECR-10-010315	08FEB2011	JC	LSF



NOTES:
 1 MATERIAL
 HOUSING: HIGH TEMPERATURE THERMOPLASTICS, GLASS FILLED, BLACK, UL94V-0, REGRIND 25% MAXIMUM
 CONTACT: COPPER ALLOY
 SOLDER PEG: COPPER ALLOY
 2 FINISH
 CONTACT: 0.76um MIN GOLD ON MATING AREA AND 1.91um MIN MATTE TIN (LEAD-FREE) ON SOLDER AREA
 BOTH OVER 1.27um MIN NICKEL ENTIRE
 SOLDER PEG: 2.54um MIN TIN (LEAD-FREE) OVER 1.27um MIN NICKEL ENTIRE
 3 DATUM A IS DEFINED AS TOP SURFACE OF HOUSING

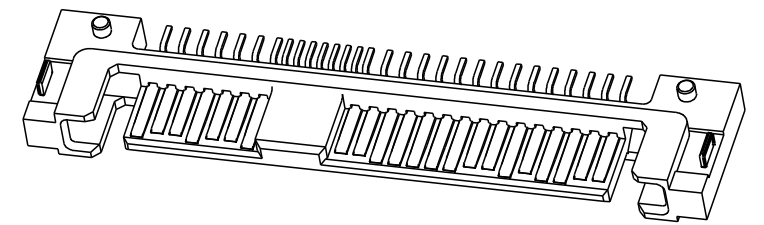


ISOMETRIC VIEW SCALE 2:1

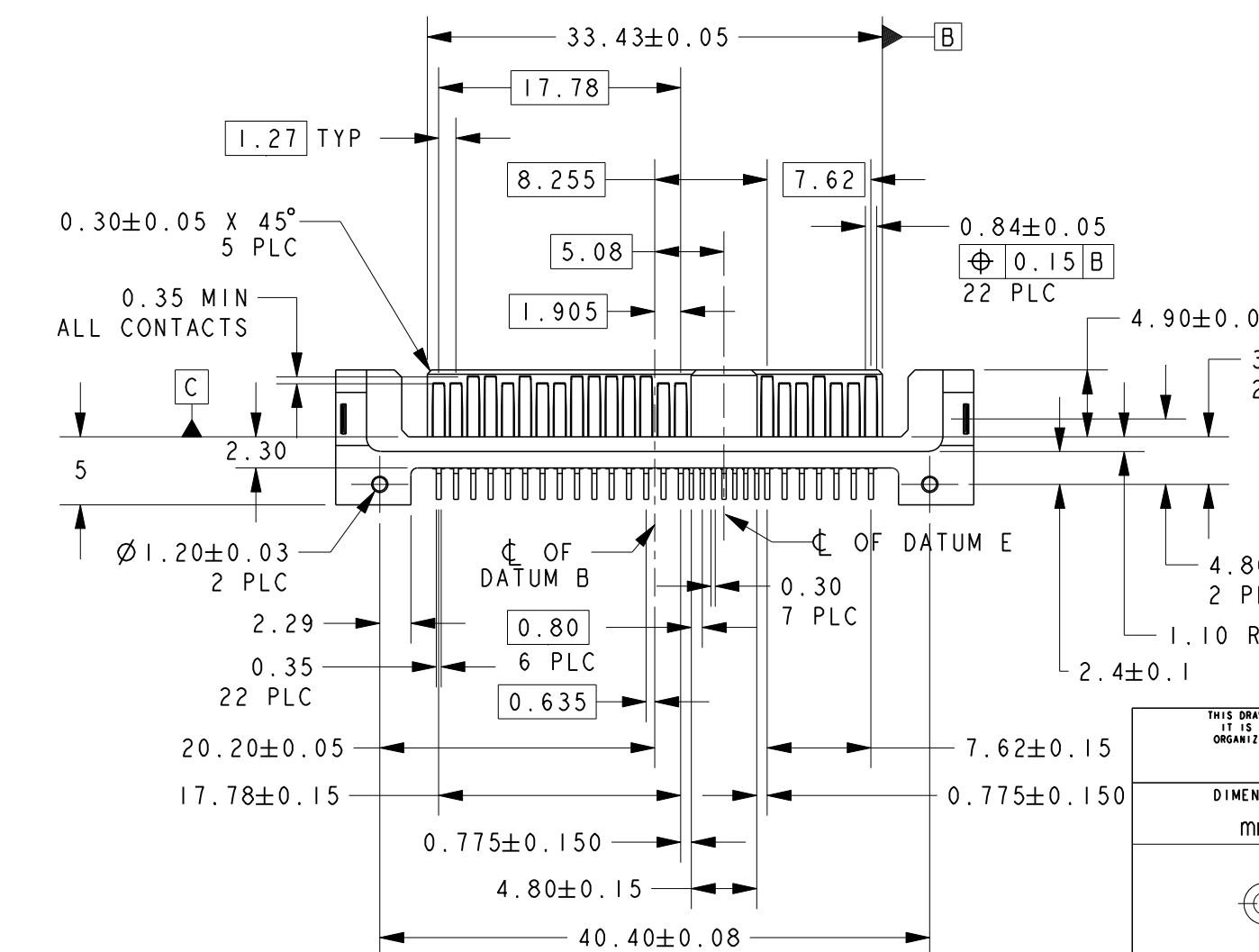


SECTION L-L SCALE 4:1

ALL SOLDER TAILS



ISOMETRIC VIEW SCALE 2:1

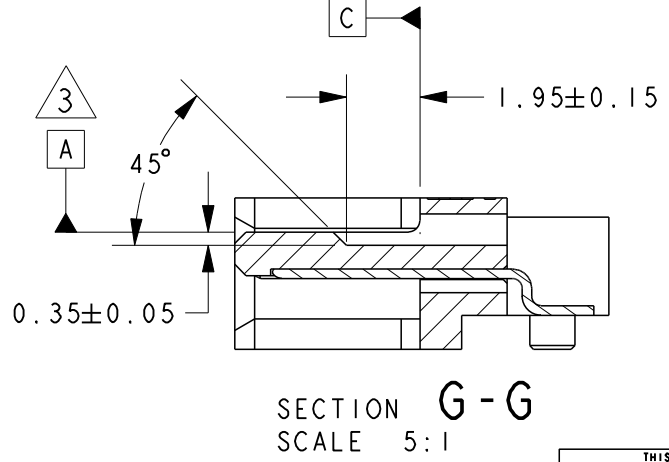
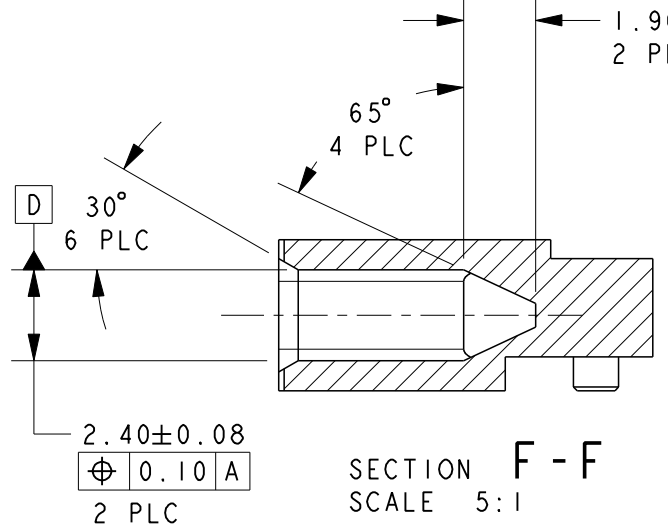
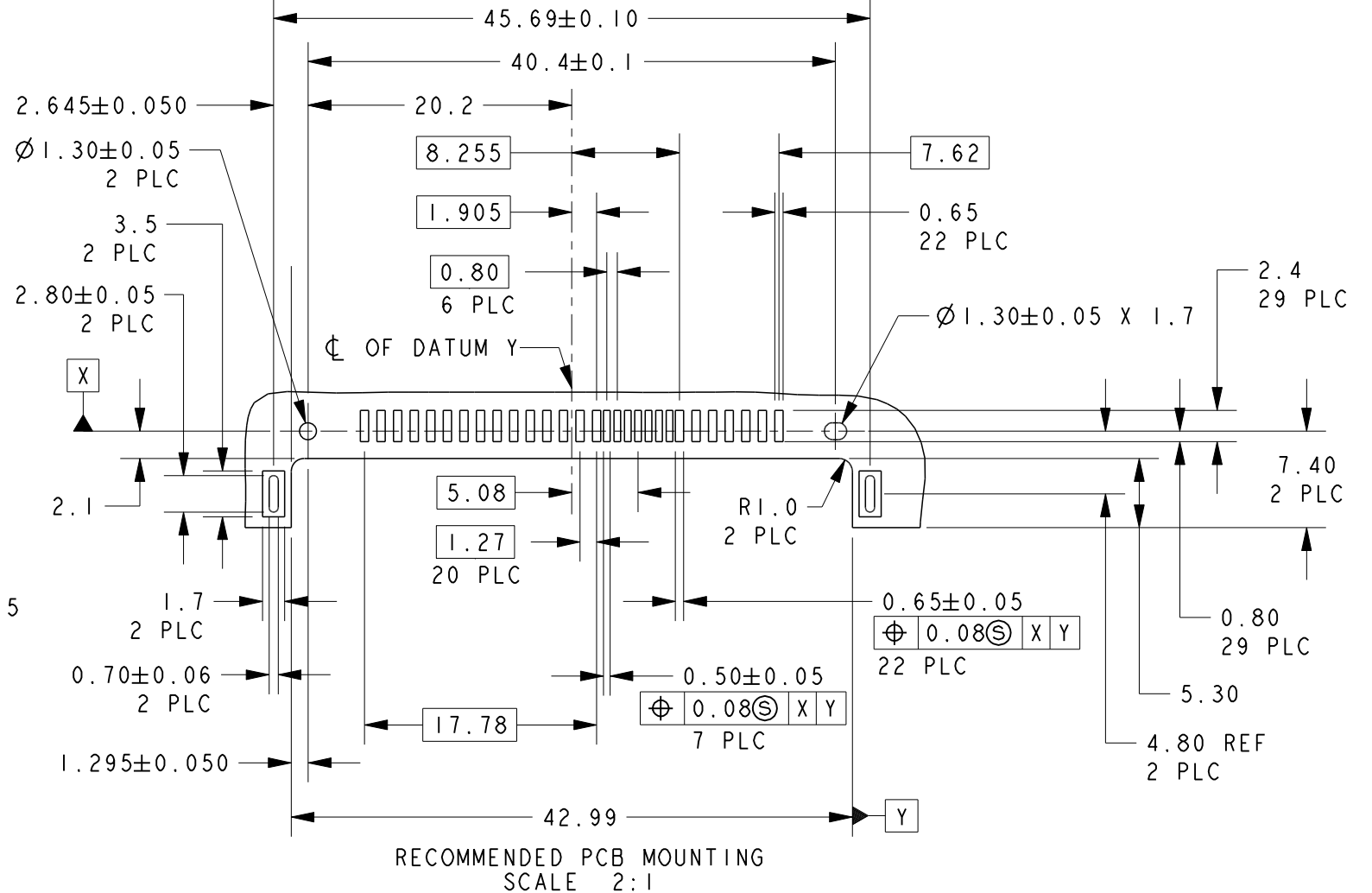
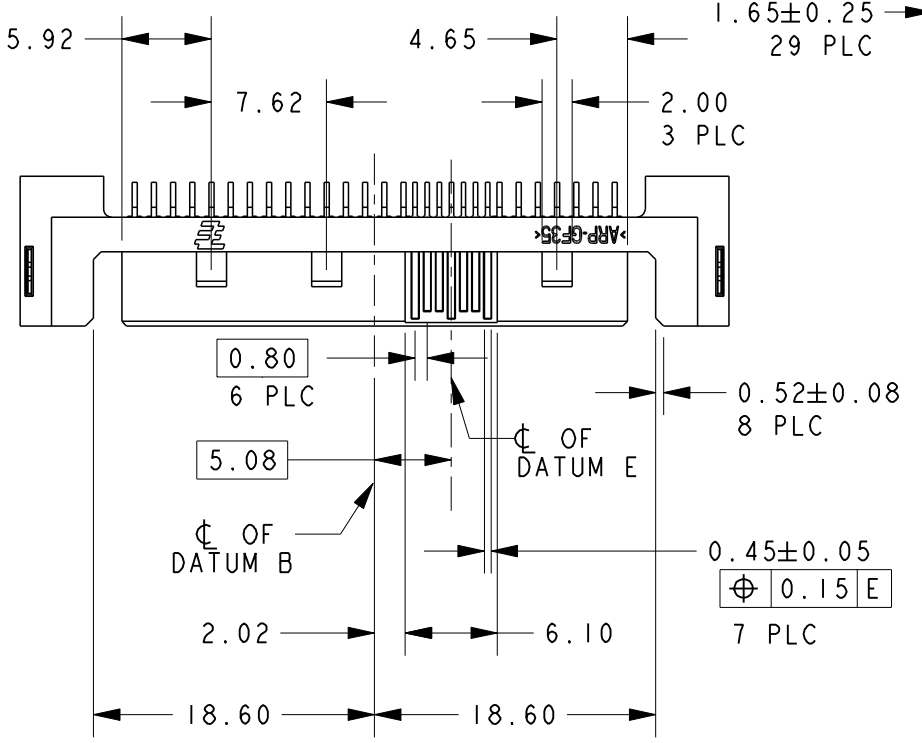
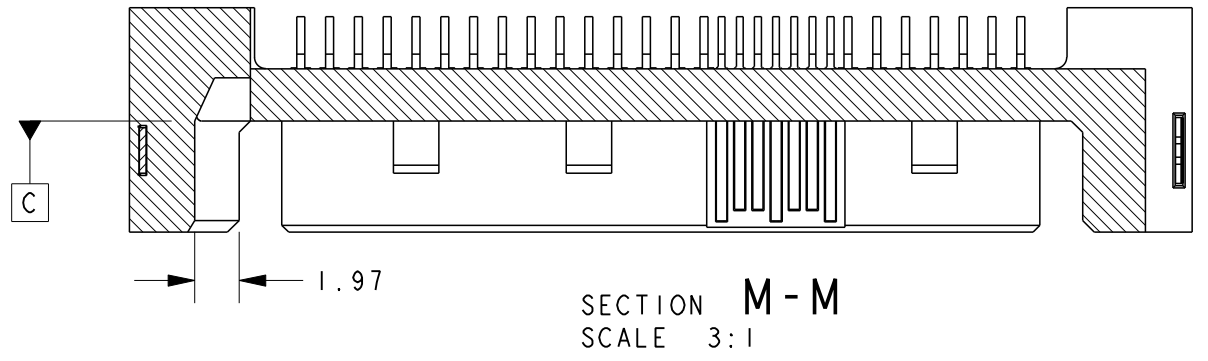
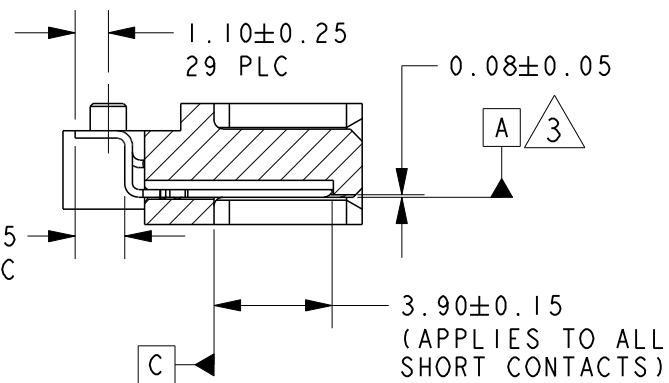
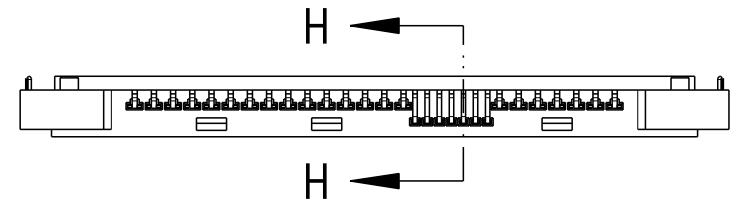


THIS DRAWING IS A CONTROLLED DOCUMENT FOR AMP INCORPORATED. IT IS SUBJECT TO CHANGE AND THE CONTROLLING ENGINEERING ORGANIZATION SHOULD BE CONTACTED FOR THE LATEST REVISION.		DWN WYLEE 18DEC07	Tyco Electronics Corporation Singapore	
DIMENSIONS: mm		CHK JASON CHOW	NAME SAS PLUG, SMT, 15+7+7P	
TOLERANCES UNLESS OTHERWISE SPECIFIED:		APVD SF LEONG	PRODUCT SPEC 108-51053	
0 PLC ±		PRODUCT SPEC 108-51053	APPLICATION SPEC -	
1 PLC ±0.15		WEIGHT 1.53g	SIZE A3	CAGE CODE 00779
2 PLC ±0.15		CUSTOMER DRAWING	DRAWING NO C-1735610	
3 PLC ±0.15			SCALE 2:1	SHEET 1 OF 2
4 PLC ±				REV B2
ANGLES ±2°				
FINISH				

1735610-1
PART NO.

THIS DRAWING IS UNPUBLISHED. RELEASED FOR PUBLICATION .19
 © COPYRIGHT 19 BY AMP INCORPORATED. ALL RIGHTS RESERVED.

LOC	DIST	REVISIONS					
DY	-	P	LTR	DESCRIPTION	DATE	DWN	APVD
				SEE SHEET 1			



THIS DRAWING IS A CONTROLLED DOCUMENT FOR AMP INCORPORATED. IT IS SUBJECT TO CHANGE AND THE CONTROLLING ENGINEERING ORGANIZATION SHOULD BE CONTACTED FOR THE LATEST REVISION.		DWN WYLEE	18DEC07	Tyco Electronics Corporation Singapore	
DIMENSIONS: mm		CHK JASON CHOW	NAME SAS PLUG, SMT, 15+7+7P		
TOLERANCES UNLESS OTHERWISE SPECIFIED: 0 PLC ± 1 PLC ±0.15 2 PLC ±0.15 3 PLC ±0.15 4 PLC ± ANGLES ±2°		APVD SF LEONG	DRAWING NO C-1735610		
MATERIAL		PRODUCT SPEC 108-51053	SIZE A3	CAGE CODE 00779	SCALE 2:1
FINISH		APPLICATION SPEC -	WEIGHT 1.53g	SHEET 2 OF 2	REV B2
CUSTOMER DRAWING			DRAWING NO C-1735610		