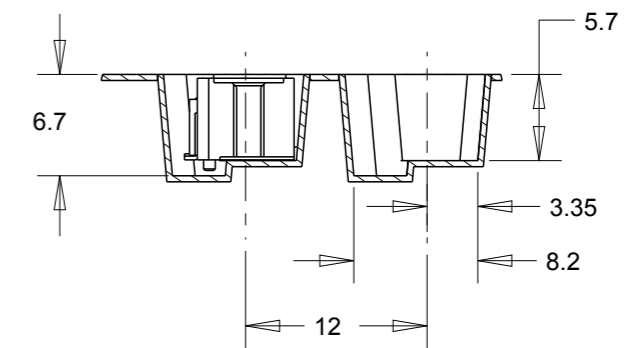
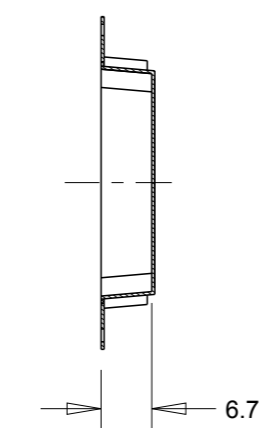
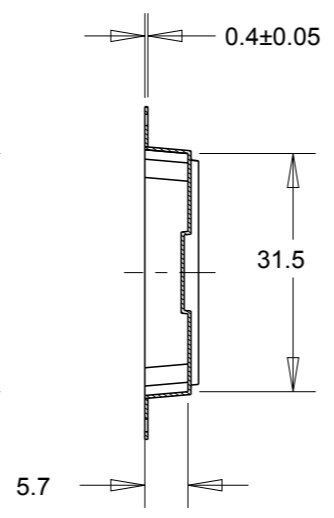
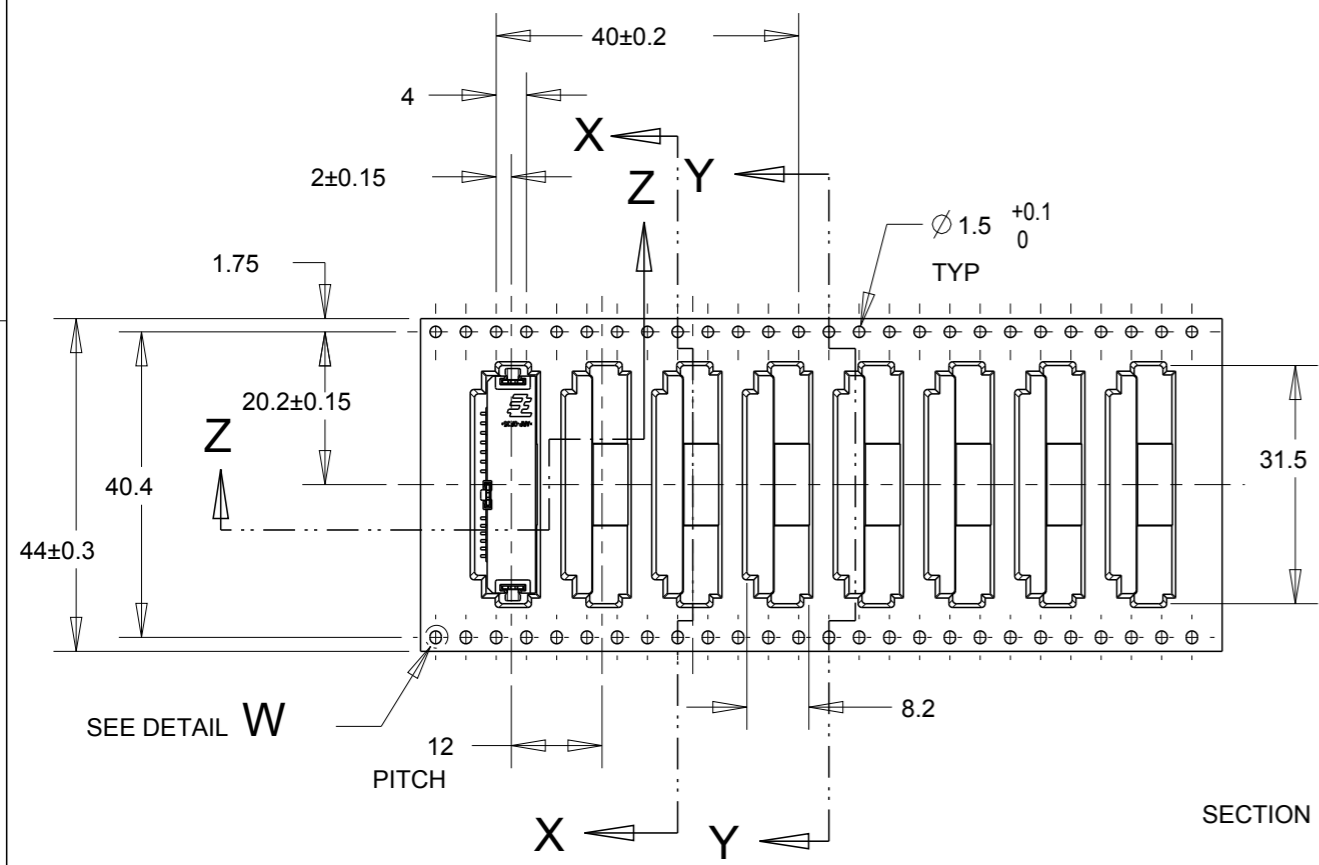


THIS DRAWING IS UNPUBLISHED. RELEASED FOR PUBLICATION 20
 © COPYRIGHT 20 BY - ALL RIGHTS RESERVED.

LOC		DIST		REVISIONS			
P	LTR	DESCRIPTION	DATE	DWN	APVD		
	A5	REVISED (ECR-12-022133)	25APR2013	B.W	H.K		

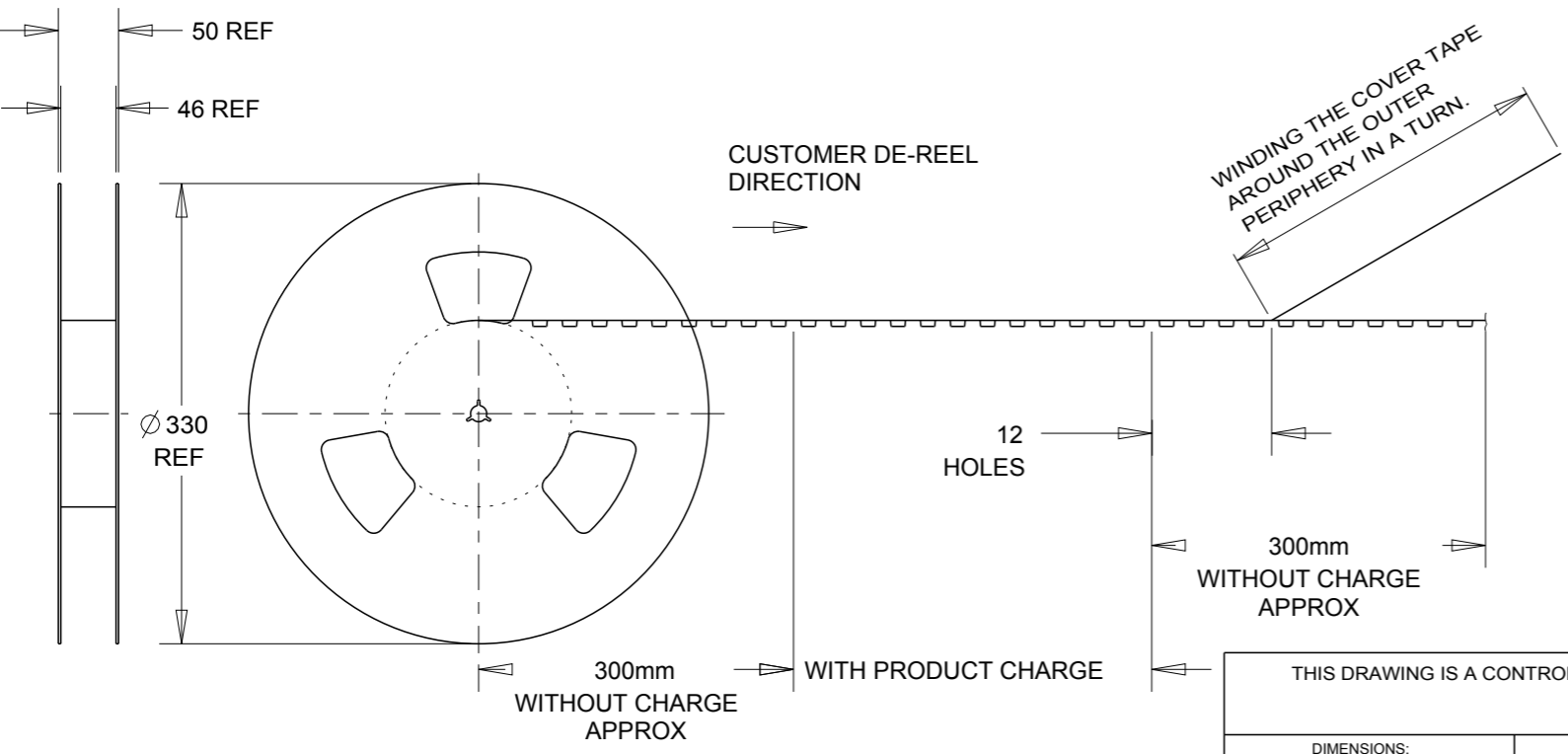
P/N AS SHOWN: 1735418-1, -2, -3



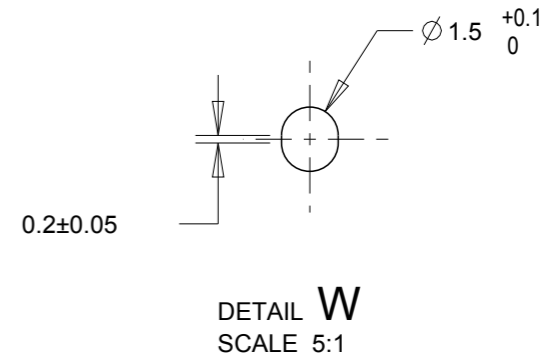
SECTION Z-Z
SCALE 2:1

SECTION X-X

SECTION Y-Y



PEELING STRENGTH: 20g TO 70g
 PEELING ANGLE: 165° TO 180°
 PEELING SPEED: 300mm/MINUTE
 QUANTITY PER REEL: 650 PIECES



DETAIL W
SCALE 5:1

	TRAY	-0.76µm	1-1735418-3
	TRAY	-0.38µm	1-1735418-2
	TRAY	-0.05µm	1-1735418-1
	TAPE & REEL	0.76µm	1735418-3
OBSOLETE	TAPE & REEL	-0.38µm	1735418-2
	TAPE & REEL	0.05µm	1735418-1
	PACKAGING TYPE	"A"	PART NO.

THIS DRAWING IS A CONTROLLED DOCUMENT.		DWN	KW YAP	25JUN2007
DIMENSIONS: mm		CHK	SF LEONG	25APR2013
TOLERANCES UNLESS OTHERWISE SPECIFIED:		APVD	SF LEONG	25APR2013
0 PLC	±0.2	PRODUCT SPEC	108-51075	
1 PLC	±0.2	APPLICATION SPEC	N. A.	
2 PLC	±0.2	WEIGHT	-	
3 PLC	±0.2			
4 PLC	±			
ANGLES	±1°			
MATERIAL	1			
FINISH	2			

STE TE Connectivity

NAME: -

ASSEMBLY SLIMLINE SATA PLUG 7P+6P (H= 5.4mm) WITH LOCATING BOSS

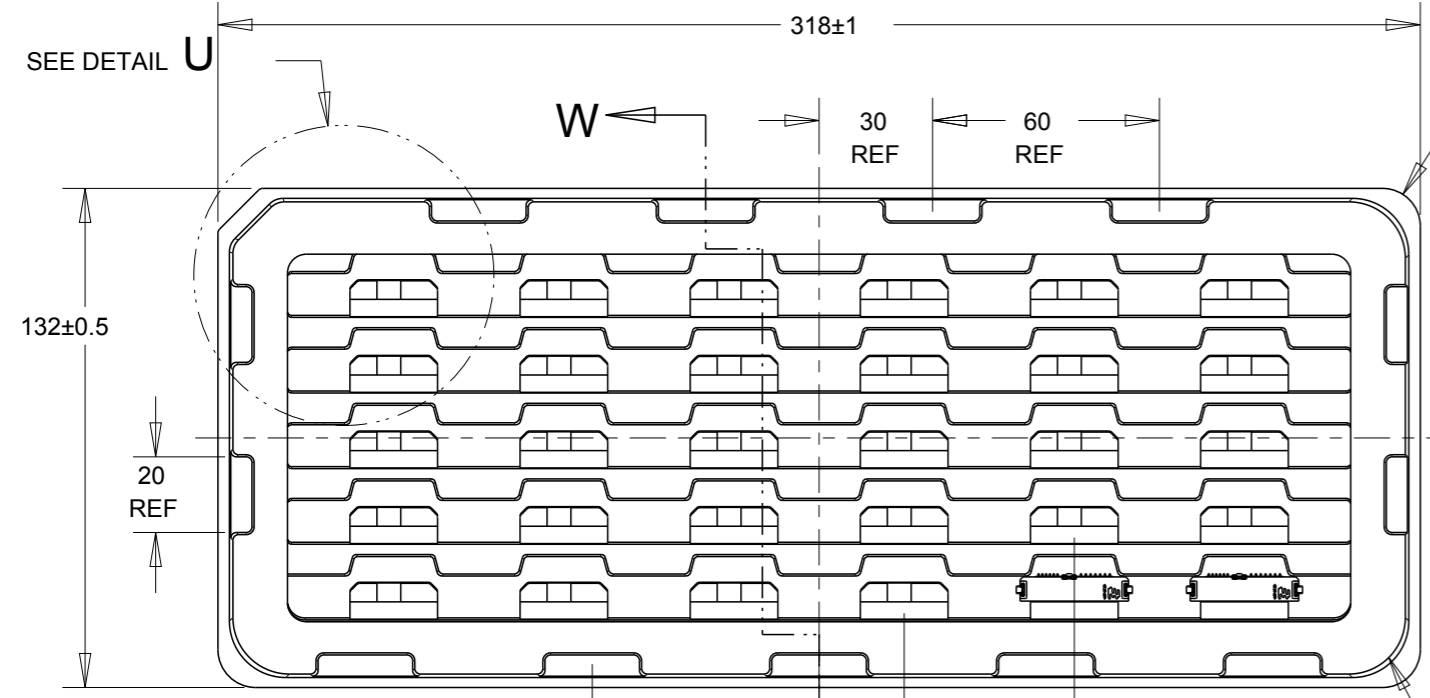
SIZE	CAGE CODE	DRAWING NO	RESTRICTED TO
A3	00779	C-1735418	-

CUSTOMER DRAWING SCALE NTS SHEET 1 OF 5 REV A5

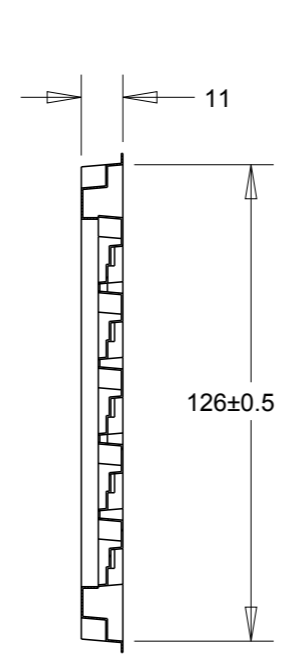
THIS DRAWING IS UNPUBLISHED. RELEASED FOR PUBLICATION 20
 © COPYRIGHT 20 BY - ALL RIGHTS RESERVED.

LOC		DIST		REVISIONS			
P	LTR	DESCRIPTION	DATE	DWN	APVD		
SEE SHEET 1							

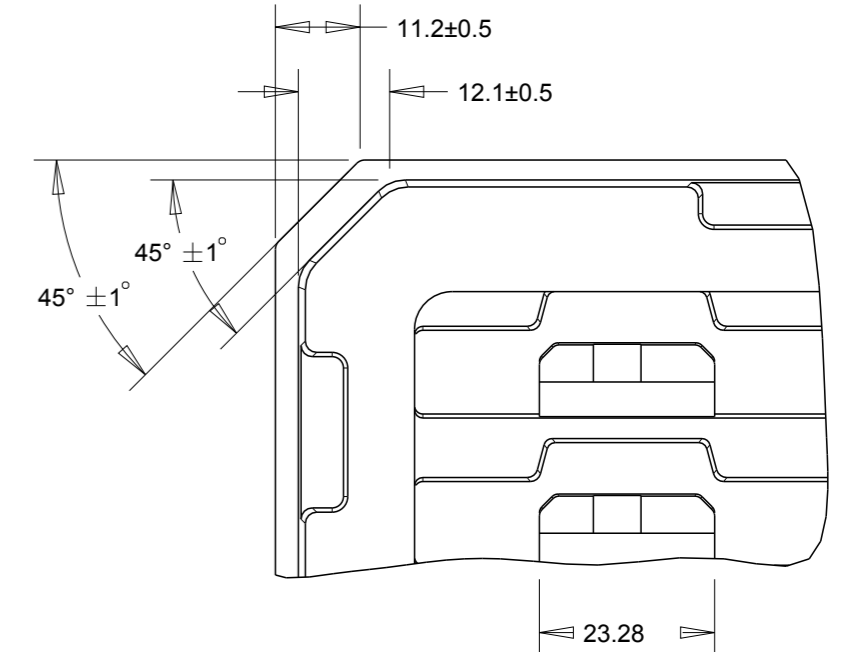
P/N AS SHOWN: 1-1735418-1, 1--2, 1--3



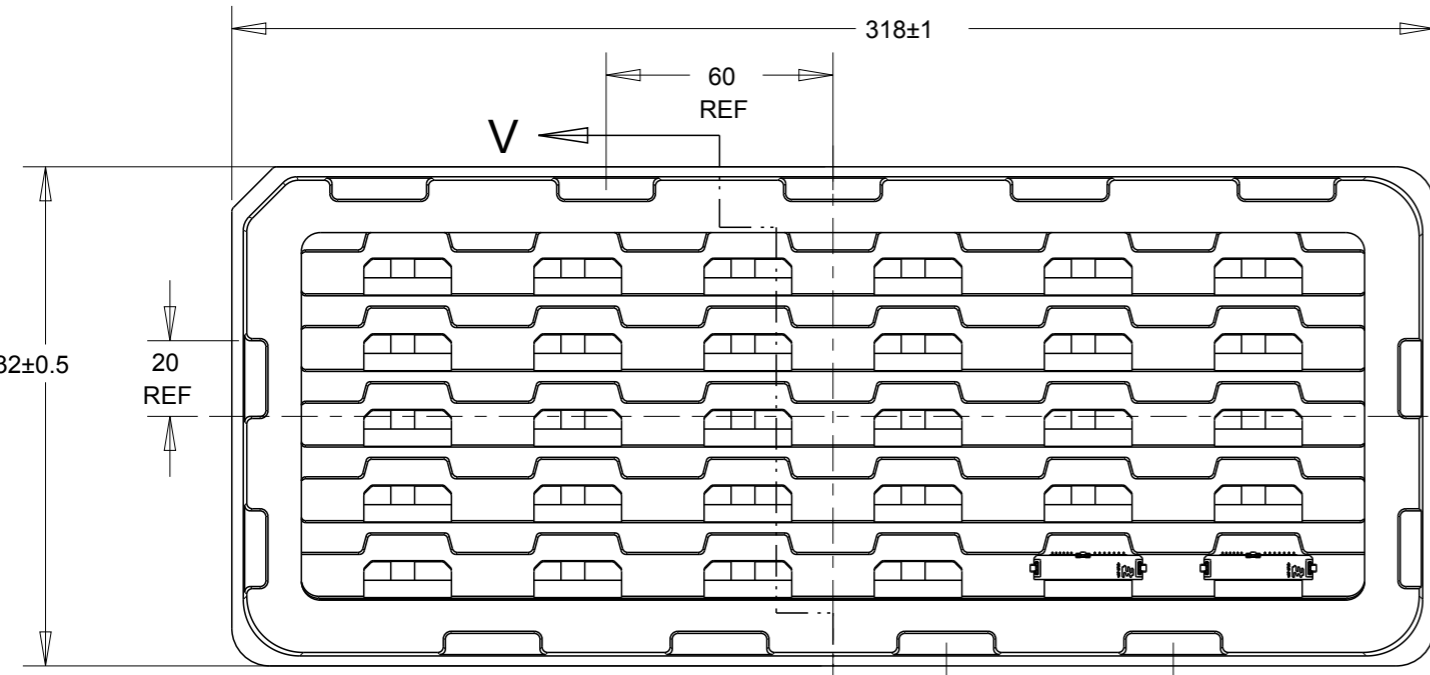
TYPE "A" TRAY



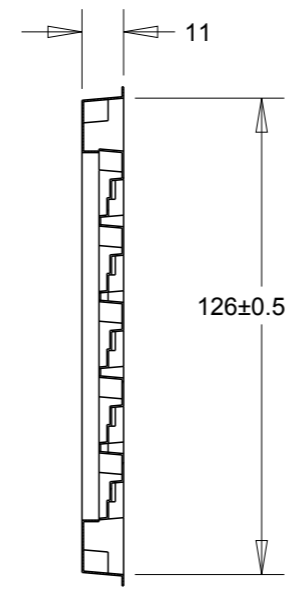
SECTION W-W



DETAIL U
SCALE 1:1



TYPE "B" TRAY



SECTION V-V

THIS DRAWING IS A CONTROLLED DOCUMENT.		DWN				
DIMENSIONS: mm		CHK				
TOLERANCES UNLESS OTHERWISE SPECIFIED:		APVD				
0 PLC ±0.2 1 PLC ±0.2 2 PLC ±0.2 3 PLC ±0.2 4 PLC ± ANGLES ±1°		NAME				
MATERIAL		PRODUCT SPEC	ASSEMBLY SLIMLINE SATA PLUG 7P+6P (H= 5.4mm) WITH LOCATING BOSS			
FINISH		APPLICATION SPEC	SIZE	CAGE CODE	DRAWING NO	RESTRICTED TO
1		WEIGHT	A3	00779	C-1735418	-
2		CUSTOMER DRAWING	SCALE	SHEET	OF	REV
			NTS	2	5	A5

THIS DRAWING IS UNPUBLISHED.

RELEASED FOR PUBLICATION

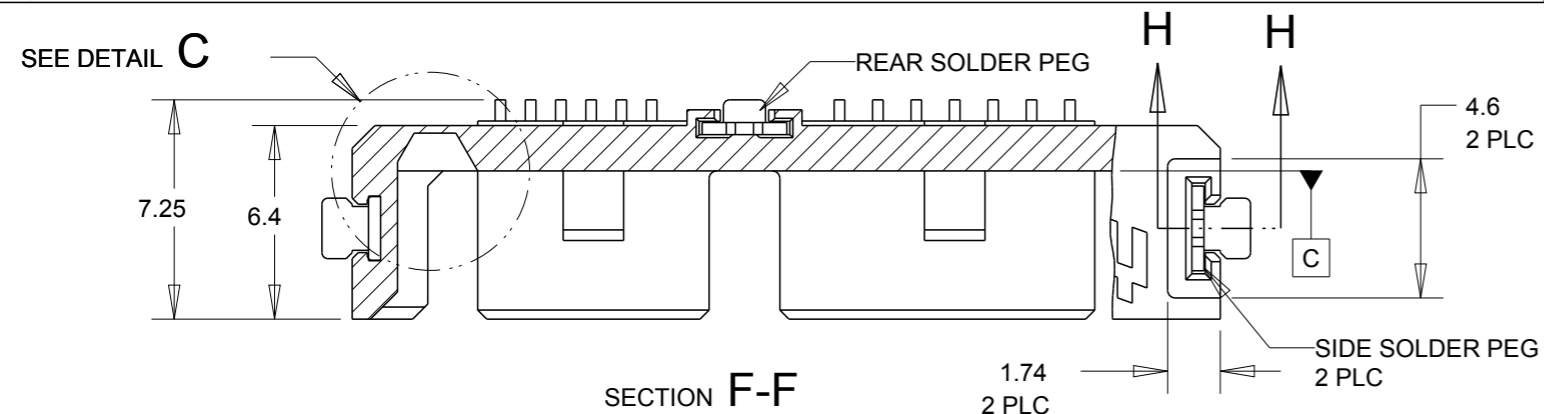
20

© COPYRIGHT 20 BY - ALL RIGHTS RESERVED.

LOC DW DIST

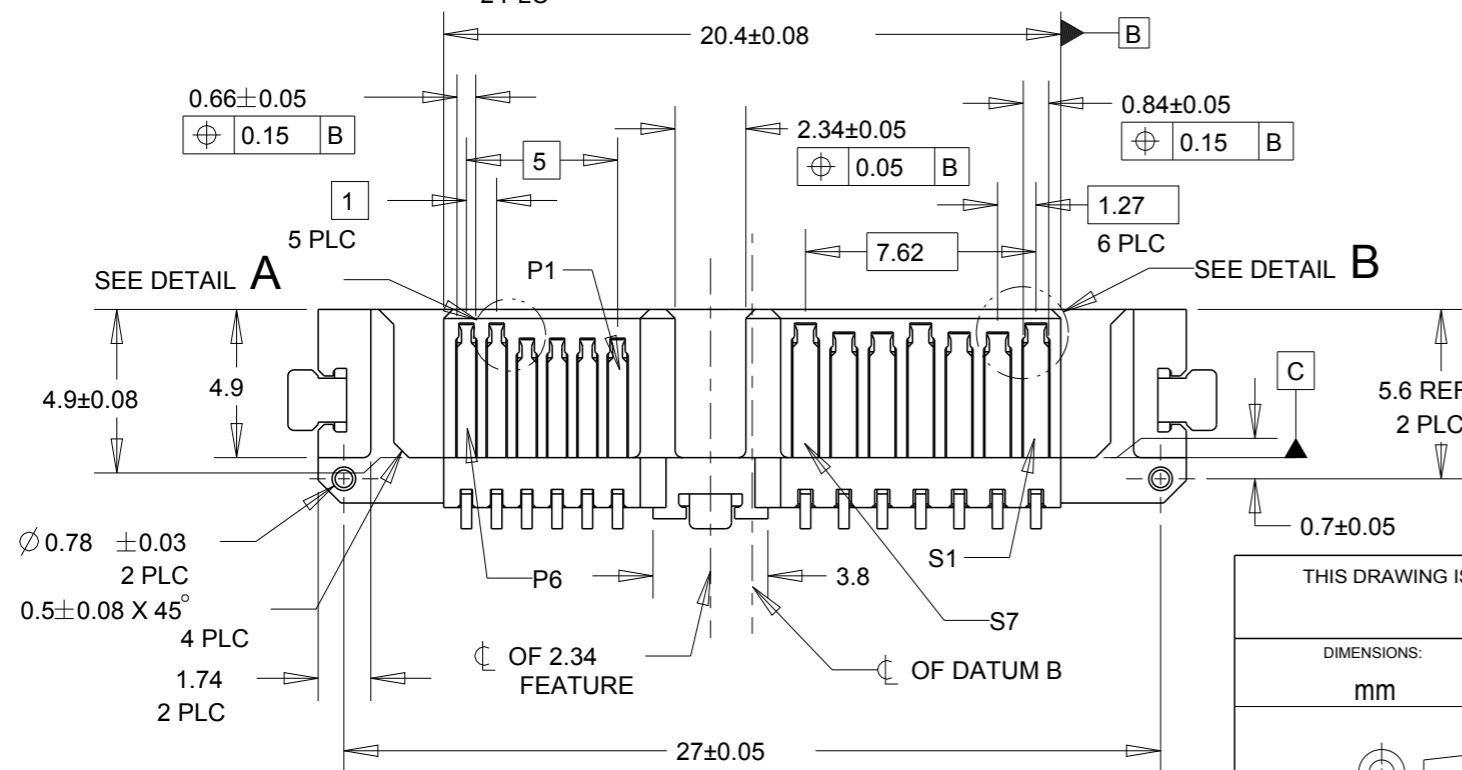
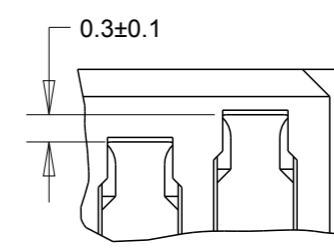
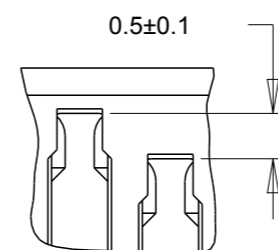
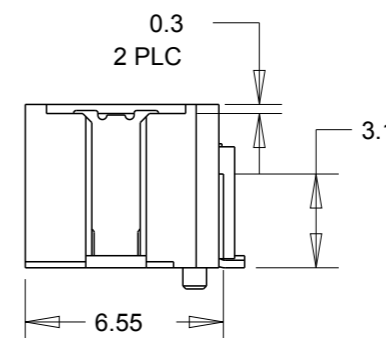
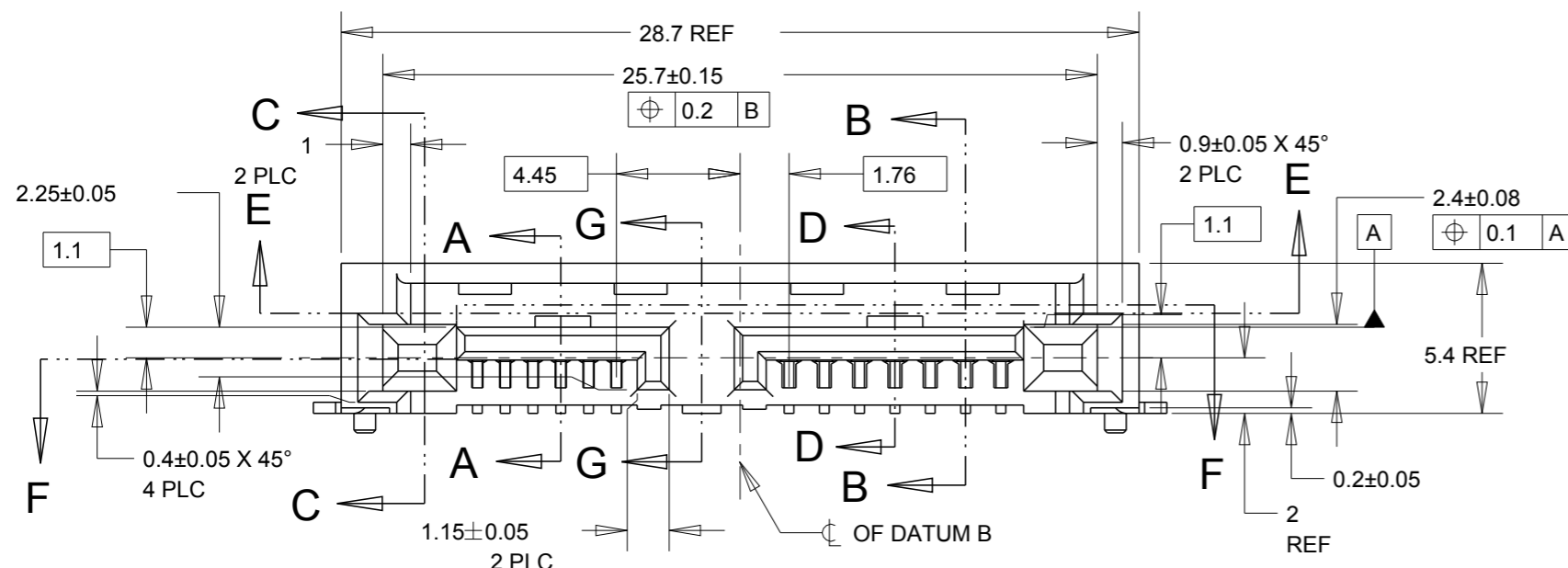
REVISIONS

P	LTR	DESCRIPTION	DATE	DWN	APVD
		SEE SHEET 1			



NOTES:

- 1 MATERIAL:
HOUSING: HIGH TEMP THERMOPLASTIC, UL94 V-0, BLACK
CONTACT: COPPER ALLOY
SOLDER PEG: COPPER ALLOY
- 2 FINISH:
CONTACT: "A" MIN GOLD PLATING AT MATING SIDE AND
0.05µm MIN GOLD AT SOLDER TAIL,
WITH 1.27µm MIN NICKEL UNDERPLATING ALL OVER
SOLDER PEG: 2.54µm MIN TIN PLATING AT SOLDERING SURFACE
WITH 1.27µm MIN NICKEL UNDERPLATING ALL OVER
- 3. CO-PLANARITY TO BE WITHIN 0.1mm
- 4 NEW TYCO ELECTRONICS LOGO



THIS DRAWING IS A CONTROLLED DOCUMENT.

DIMENSIONS:	TOLERANCES UNLESS OTHERWISE SPECIFIED:
mm	
0 PLC	±0.2
1 PLC	±0.2
2 PLC	±0.2
3 PLC	±0.2
4 PLC	±0.2
ANGLES	±1°
MATERIAL	FINISH
1	2

DWN
CHK
APVD
PRODUCT SPEC
APPLICATION SPEC
WEIGHT
CUSTOMER DRAWING



NAME			
ASSEMBLY SLIMLINE SATA PLUG 7P+6P (H= 5.4mm) WITH LOCATING BOSS			
SIZE	CAGE CODE	DRAWING NO	RESTRICTED TO
A3	00779	C-1735418	-
SCALE NTS		SHEET 3 OF 5	REV A5

THIS DRAWING IS UNPUBLISHED.

RELEASED FOR PUBLICATION

20

© COPYRIGHT 20 BY -

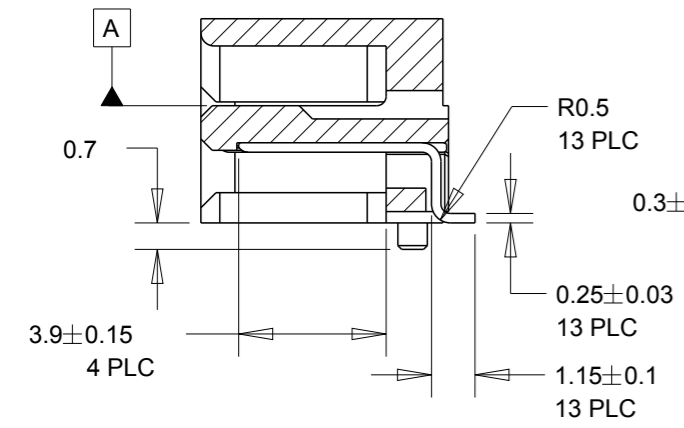
ALL RIGHTS RESERVED.

LOC DW

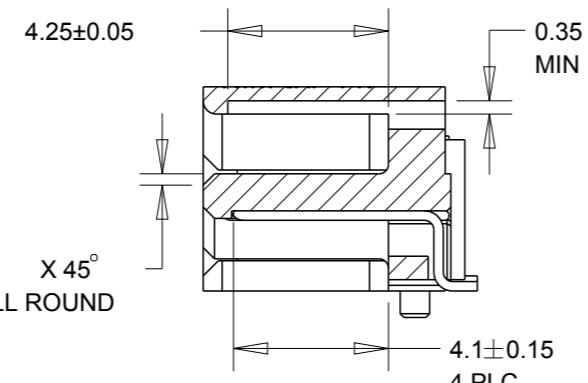
DIST

REVISIONS

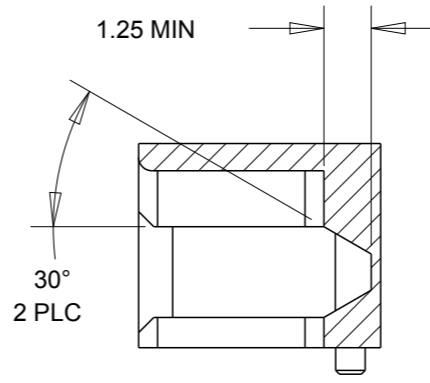
P	LTR	DESCRIPTION	DATE	DWN	APVD
		SEE SHEET 1			



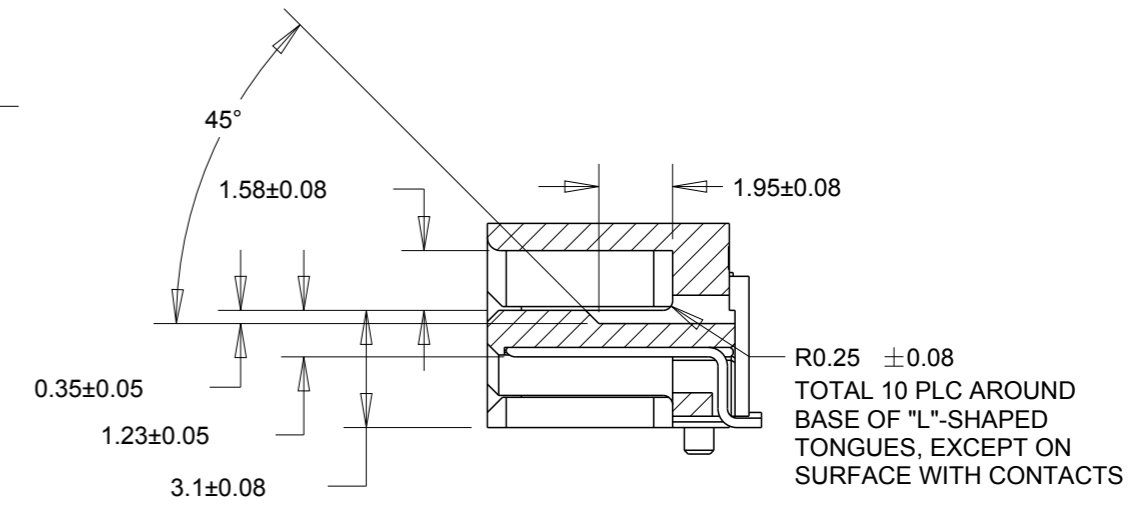
SECTION A-A
SCALE 5:1



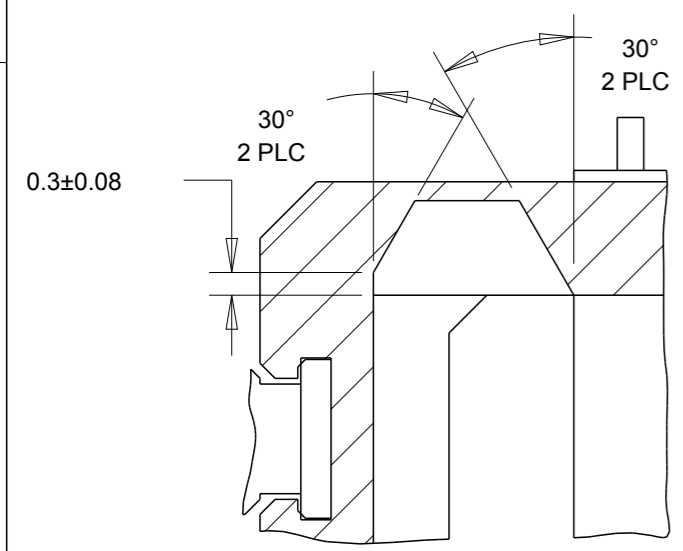
SECTION B-B
SCALE 5:1



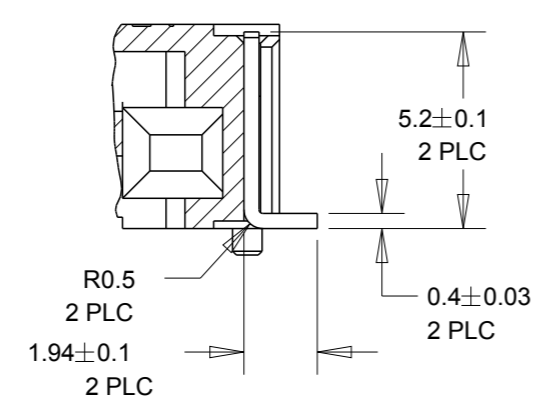
SECTION C-C
SCALE 5:1



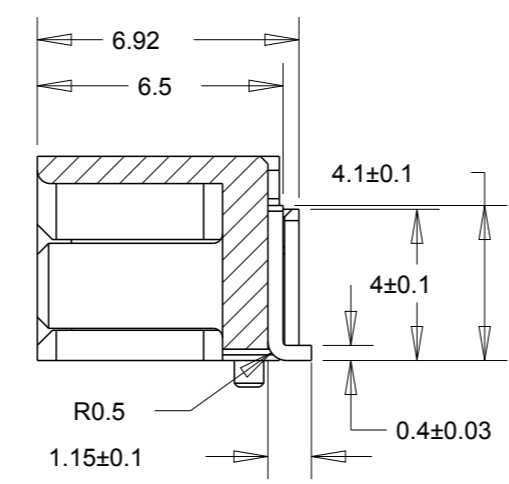
SECTION D-D
SCALE 5:1



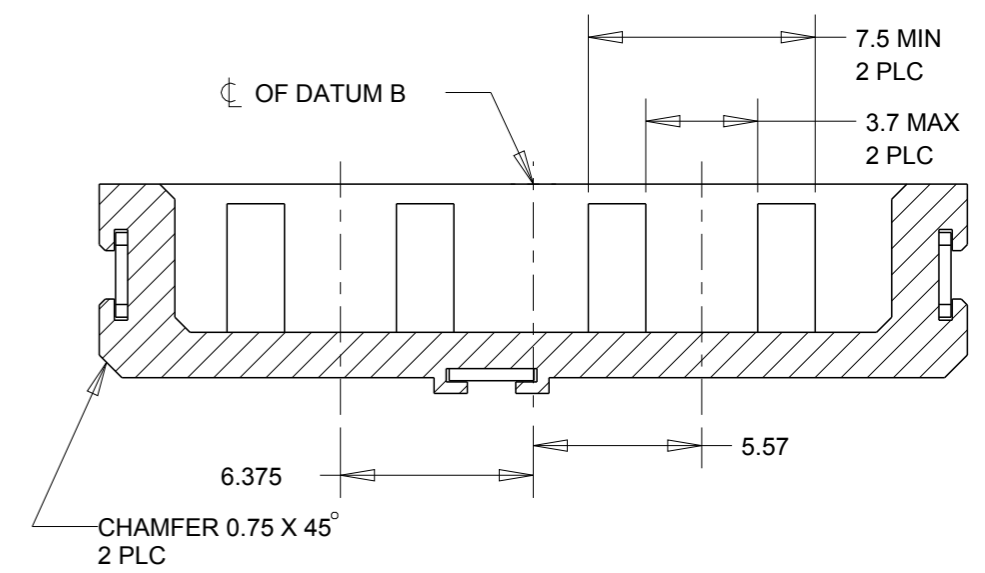
DETAIL C
SCALE 10:1



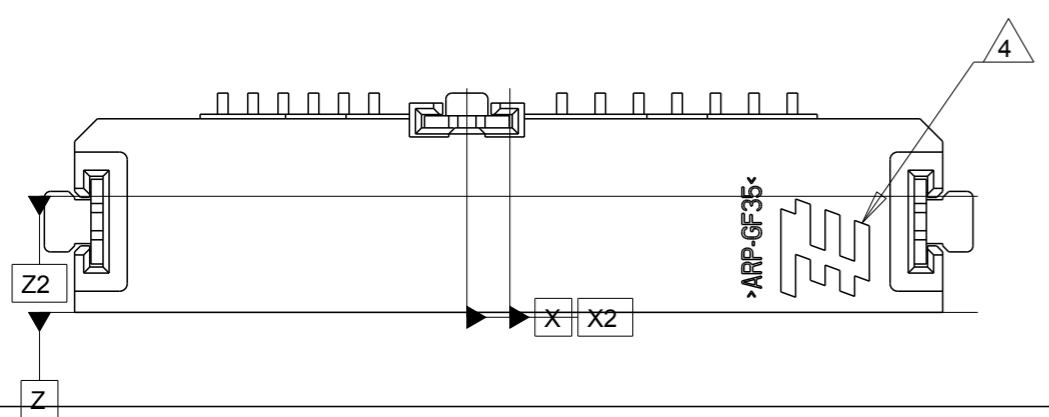
SECTION H-H
SCALE 5:1



SECTION G-G
SCALE 5:1

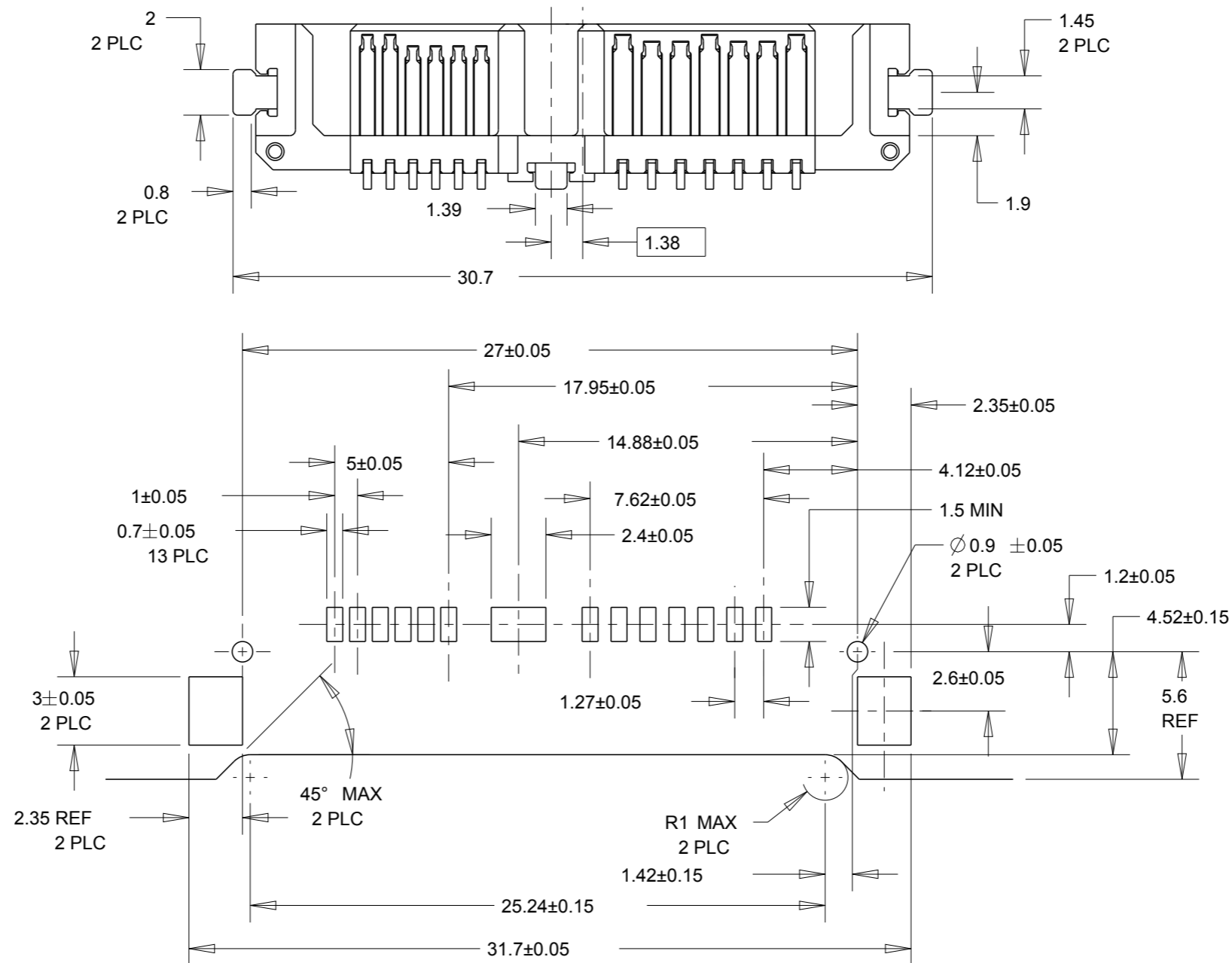


SECTION E-E



THIS DRAWING IS A CONTROLLED DOCUMENT.		DWN	 TE Connectivity
DIMENSIONS: mm		CHK	
TOLERANCES UNLESS OTHERWISE SPECIFIED:		APVD	
0 PLC ±0.2 1 PLC ±0.2 2 PLC ±0.2 3 PLC ±0.2 4 PLC ±0.2 ANGLES ±1°		NAME	
MATERIAL		PRODUCT SPEC	
FINISH		APPLICATION SPEC	ASSEMBLY SLIMLINE SATA PLUG 7P+6P (H= 5.4mm) WITH LOCATING BOSS
- 1		WEIGHT	SIZE A3
- 2		CUSTOMER DRAWING	CAGE CODE 00779
		SCALE NTS	DRAWING NO C-1735418
		SHEET 4 OF 5	RESTRICTED TO
		REV A5	

SEE SHEET 1



RECOMMENDED PCB LAYOUT
SCALE 4:1

THIS DRAWING IS A CONTROLLED DOCUMENT.		DWN		
		CHK		
DIMENSIONS: mm		APVD	NAME	
		PRODUCT SPEC	ASSEMBLY SLIMLINE SATA PLUG 7P+6P (H= 5.4mm) WITH LOCATING BOSS	
		APPLICATION SPEC		
MATERIAL		WEIGHT	SIZE	CAGE CODE
FINISH			A3	00779
			DRAWING NO	RESTRICTED TO
			C-1735418	
		CUSTOMER DRAWING	SCALE	SHEET
			NTS	5 OF 5
				REV
				A5