

4

3

2

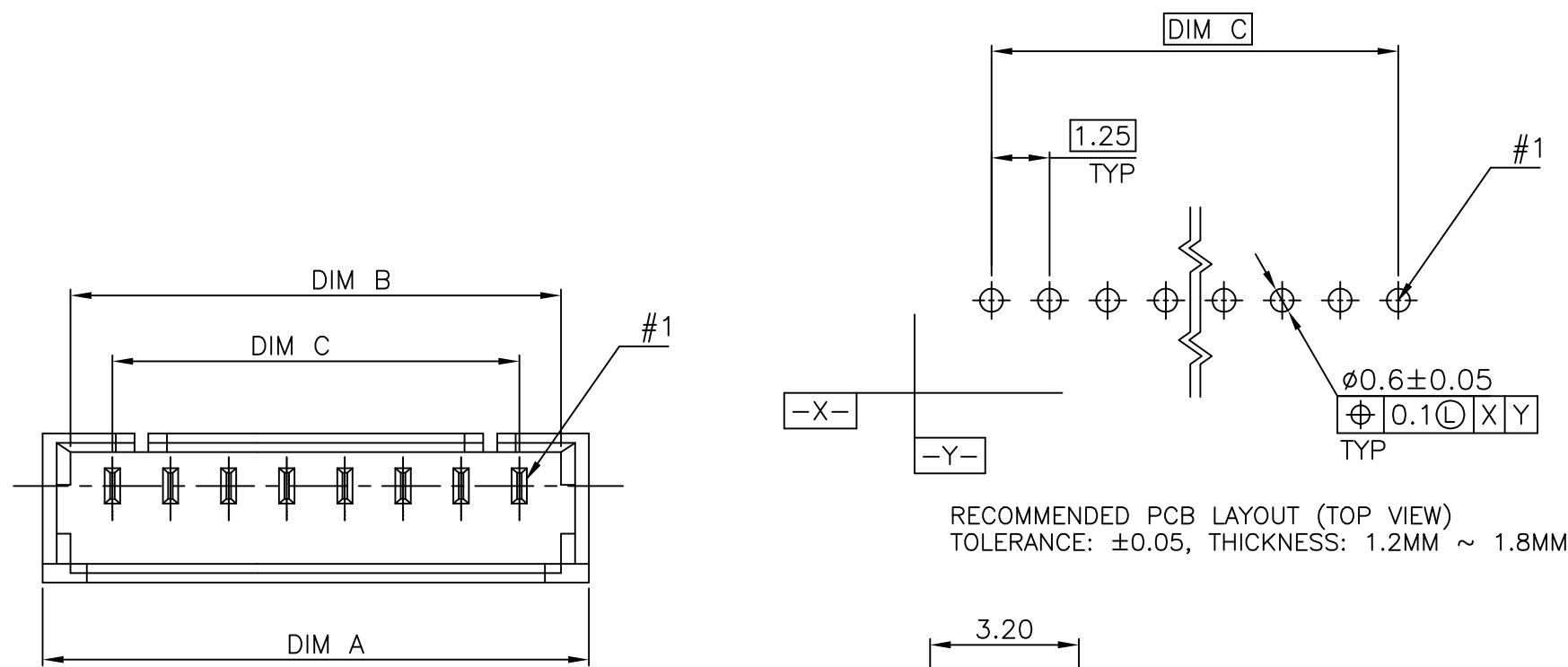
1

THIS DRAWING IS UNPUBLISHED. RELEASED FOR PUBLICATION  
 © COPYRIGHT 2013 BY TE CONNECTIVITY. ALL RIGHTS RESERVED.

LOC	DIST	REVISIONS					
DW	-	P	LTR	DESCRIPTION	DATE	DWN	APVD
		R4		ECR- 23- 189217	07OCT23	C.K	H.L

D

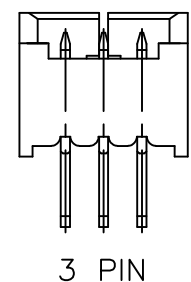
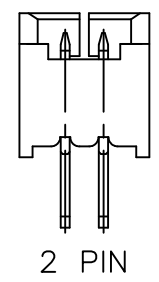
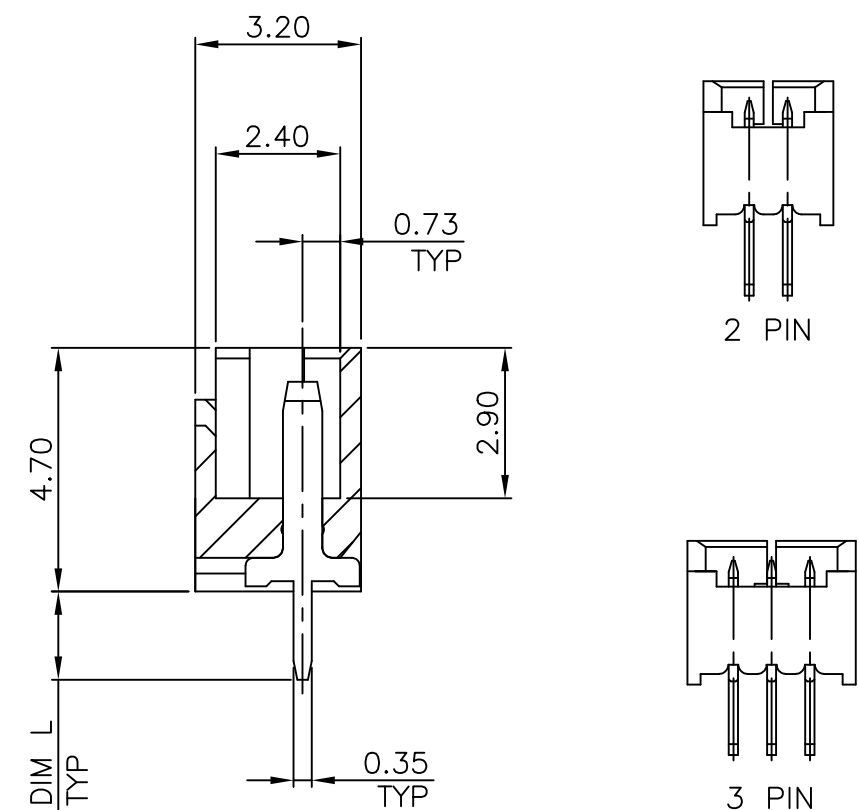
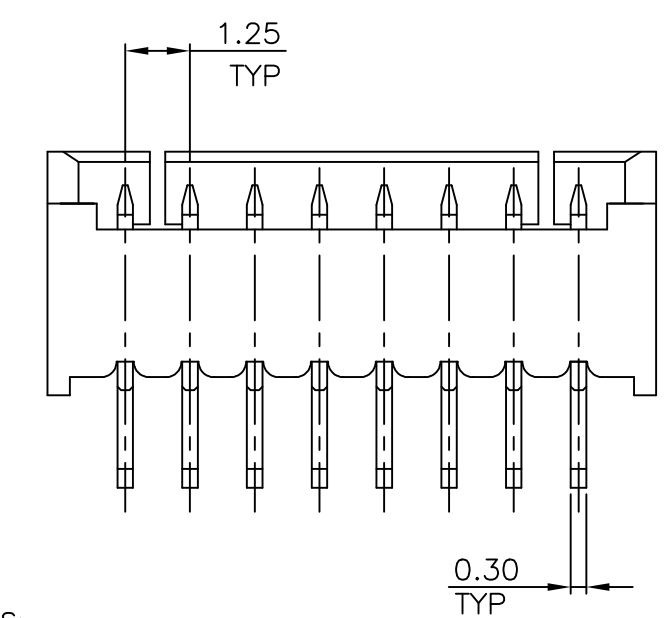
D



(R4) OBSLETE

C

C



3.70	2.30	5.00	6.80	8.00	5	6-1734598-0
	17.50	19.30	20.50	15	5-1734598-5	
	16.25	18.05	19.25	14	5-1734598-4	
	15.00	16.80	18.00	13	5-1734598-3	
	13.75	15.55	16.75	12	5-1734598-2	
	12.50	14.30	15.50	11	5-1734598-1	
	11.25	13.05	14.25	10	5-1734598-0	
	10.00	11.80	13.00	9	4-1734598-9	
	8.75	10.55	11.75	8	4-1734598-8	
	7.50	9.30	10.50	7	4-1734598-7	
	6.25	8.05	9.25	6	4-1734598-6	
	5.00	6.80	8.00	5	4-1734598-5	
	3.75	5.55	6.75	4	4-1734598-4	
	2.50	4.30	5.50	3	4-1734598-3	
	1.25	3.05	4.25	2	4-1734598-2	
2.30	17.50	19.30	20.50	15	3-1734598-5	
	16.25	18.05	19.25	14	3-1734598-4	
	15.00	16.80	18.00	13	3-1734598-3	
	13.75	15.55	16.75	12	3-1734598-2	
	12.50	14.30	15.50	11	3-1734598-1	
	11.25	13.05	14.25	10	3-1734598-0	
	10.00	11.80	13.00	9	2-1734598-9	
	8.75	10.55	11.75	8	2-1734598-8	
	7.50	9.30	10.50	7	2-1734598-7	
	6.25	8.05	9.25	6	2-1734598-6	
	5.00	6.80	8.00	5	2-1734598-5	
	3.75	5.55	6.75	4	2-1734598-4	
	2.50	4.30	5.50	3	2-1734598-3	
	1.25	3.05	4.25	2	2-1734598-2	
	1.70	17.50	19.30	20.50	15	1-1734598-5
16.25		18.05	19.25	14	1-1734598-4	
15.00		16.80	18.00	13	1-1734598-3	
13.75		15.55	16.75	12	1-1734598-2	
12.50		14.30	15.50	11	1-1734598-1	
11.25		13.05	14.25	10	1-1734598-0	
10.00		11.80	13.00	9	1734598-9	
8.75		10.55	11.75	8	1734598-8	
7.50		9.30	10.50	7	1734598-7	
6.25		8.05	9.25	6	1734598-6	
5.00		6.80	8.00	5	1734598-5	
3.75		5.55	6.75	4	1734598-4	
2.50		4.30	5.50	3	1734598-3	
1.25		3.05	4.25	2	1734598-2	

B

B

A

A

- NOTES:
- MATERIAL:  
HOUSING: PA9T W/ 30% GF, UL94 V-0, NATURAL COLOR.  
CONTACTS: PHOSPHOR BRONZE.
  - FINISH:  
CONTACTS: 120μ" MIN. MATTE-TIN OVER 50μ" MIN. NICKEL PLATED.  
 0.762μm [30μ"] MIN. GOLD PLATED ON CONTACT AREA, GOLD FLASH ON SOLDER TAILS, 1.27μm [50μ"] MIN. NICKEL ON ENTIRE CONTACT.
  - NO TE LOGO AND DATE CODE ON THE PRODUCT.

THIS DRAWING IS A CONTROLLED DOCUMENT.

DIMENSIONS: MM	TOLERANCES UNLESS OTHERWISE SPECIFIED:	DWN	30DEC2005	TE Connectivity NAME 1.25 MM PITCH WIRE-TO-BOARD CONNECTOR, HEADER, DIP, VERTICAL				
	0 PLC ± -	CHK	30DEC2005					
	1 PLC ± 0.3	APVD	30DEC2005					
	2 PLC ± 0.2	W.J. KE	PRODUCT SPEC					
MATERIAL	FINISH	APPLICATION SPEC	108-57273	SIZE	CAGE CODE	DRAWING NO	RESTRICTED TO	
SEE NOTE	SEE NOTE	WEIGHT	-	A3	00779	C=1734598	-	
CUSTOMER DRAWING			SCALE	-	SHEET	1 of 4	REV	R4

THIS DRAWING IS UNPUBLISHED.

RELEASED FOR PUBLICATION

---

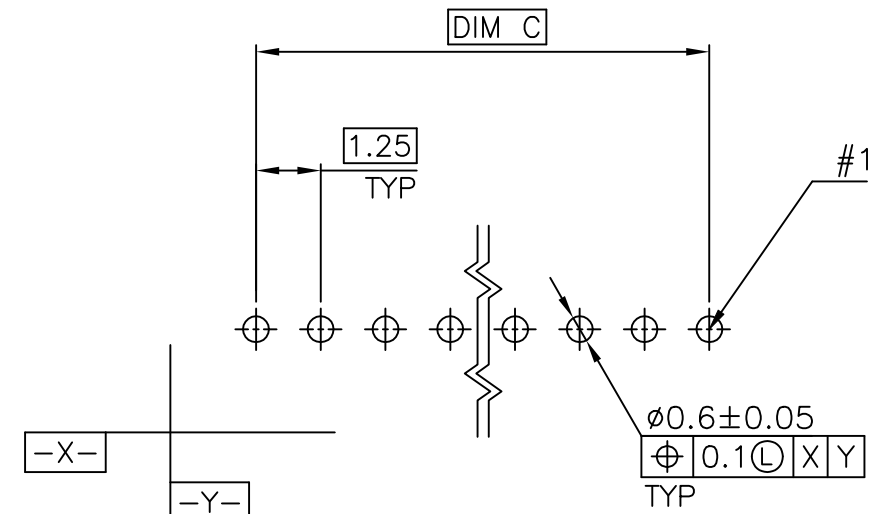
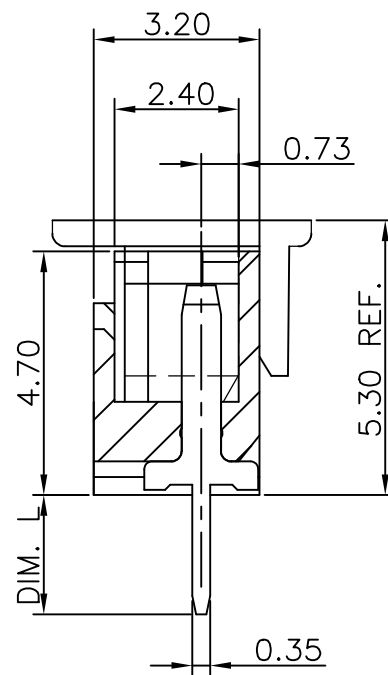
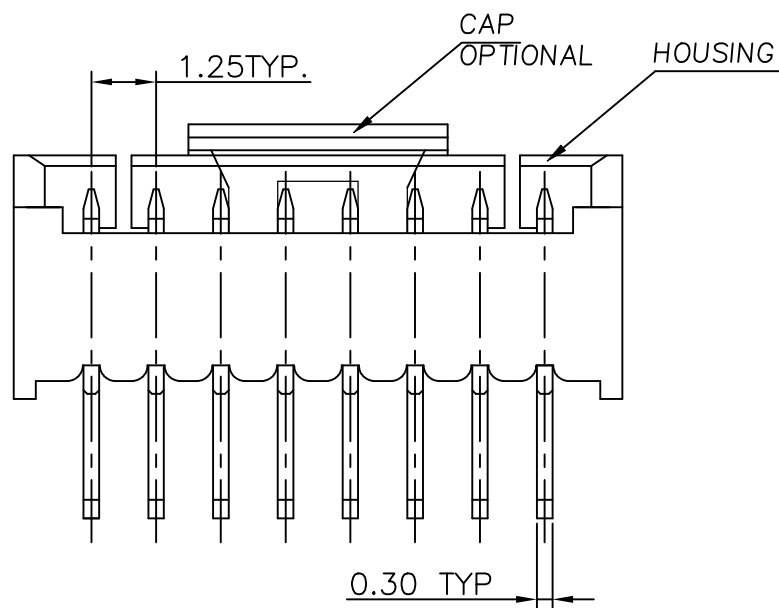
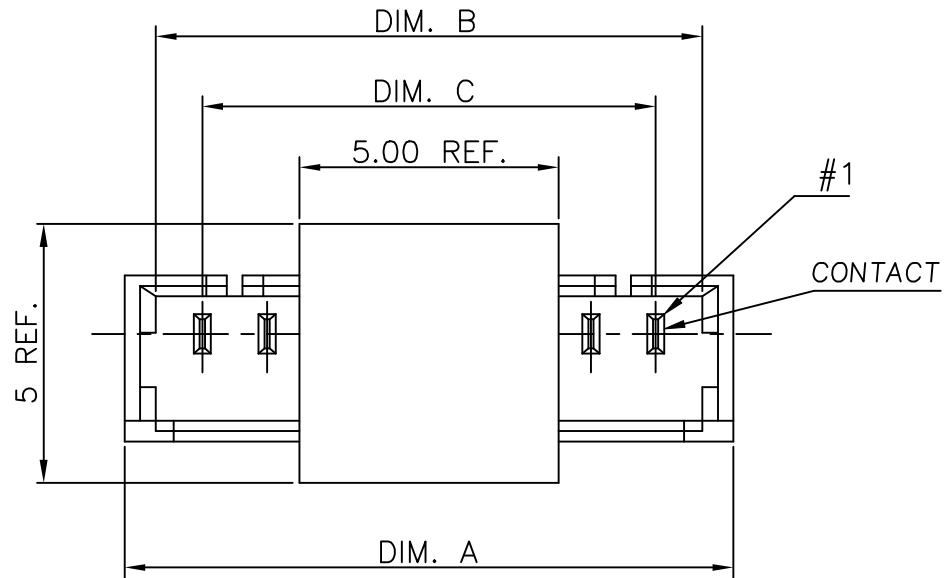
© COPYRIGHT 2013 BY TE CONNECTIVITY.

ALL RIGHTS RESERVED.

LOC	DIST	REVISIONS				
P	LTR	DESCRIPTION	DATE	DWN	APVD	
DW	-	SEE SHEET 1				

NOTE:

- MATERIAL:  
HOUSING: THERMOPLASTIC (LCP) WITH 30% GF, UL 94V-0, NATURE COLOR.  
CAP: THERMOPLASTIC (LCP) WITH 30% GF, UL 94V-0, COLOR BLACK  
CONTACTS: PHOSPHOR BRONZE.
- FINISH:  
CONTACTS: 3.048μm[120μ"] MIN. MATTE-TIN OVER  
1.27μm[50μ"]MIN. NICKEL ON ENTIRE CONTACT.
- REFLOW SOLDER CAPABLE TO 260°C PER TE SPEC. TEC-109-201, CONDITION B.
- LOW HALOGEN SPECIFICATION:  
CHLORINE(Cl): 900ppm MAX.  
BROMINE(Br): 900ppm MAX.
- NO TE LOGO AND DATE CODE ON THE PRODUCT.
- PACKAGE : TAPE AND REEL TYPE (SEE PAGE 4)



RECOMMENDED PCB LAYOUT (TOP VIEW)  
TOLERANCE: ±0.05, THICKNESS: 1.6MM

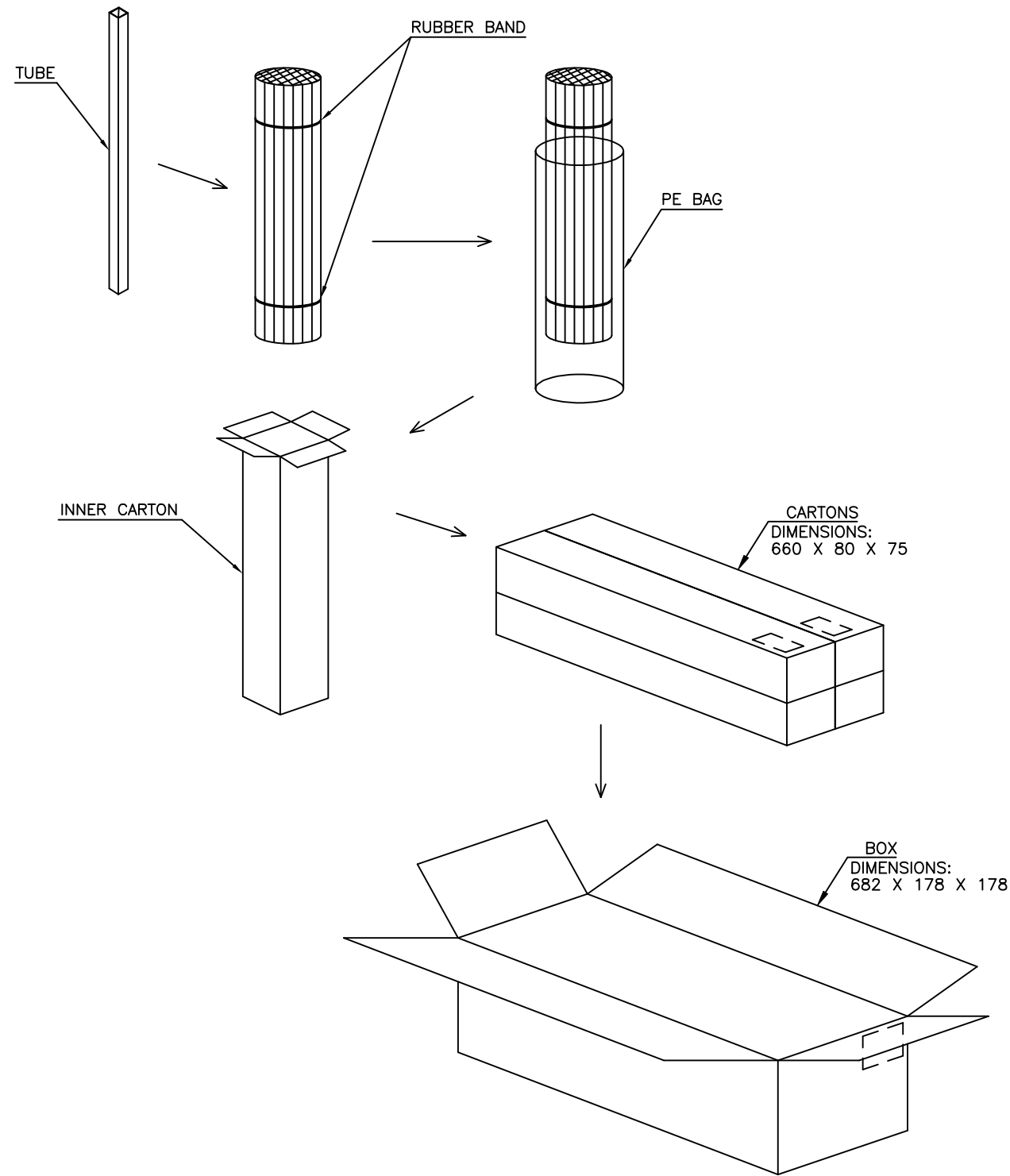
WITHOUT	2.30	8.75	10.55	11.75	8	6-1734598-2
WITH	2.30	8.75	10.55	11.75	8	6-1734598-1
CAP STATUS	DIM. L	DIM. C	DIM. B	DIM. A	NO. OF CONTACTS	PART NUMBER

(R4) OBSLETE

DIMENSIONS:		TOLERANCES UNLESS OTHERWISE SPECIFIED:		DWN	TE Connectivity		
MM				CHK	NAME		
0 PLC	± -	0 PLC	± -	APVD	1.25 MM PITCH WIRE-TO-BOARD CONNECTOR, HEADER, DIP, VERTICAL		
1 PLC	± -	1 PLC	± -	PRODUCT SPEC	SIZE	CAGE CODE	DRAWING NO
2 PLC	± -	2 PLC	± -	APPLICATION SPEC	A3	00779	C=1734598
3 PLC	± -	3 PLC	± -	WEIGHT	RESTRICTED TO		
4 PLC	± -	4 PLC	± -	CUSTOMER DRAWING	-		
ANGLES	± -	FINISH		SCALE	SHEET	REV	
					-	2 of 4	R4

THIS DRAWING IS UNPUBLISHED. RELEASED FOR PUBLICATION  
 © COPYRIGHT 2013 BY TE CONNECTIVITY. ALL RIGHTS RESERVED.

LOC	DIST	REVISIONS				
P	LTR	DESCRIPTION	DATE	DWN	APVD	
DW	-	SEE SHEET 1				



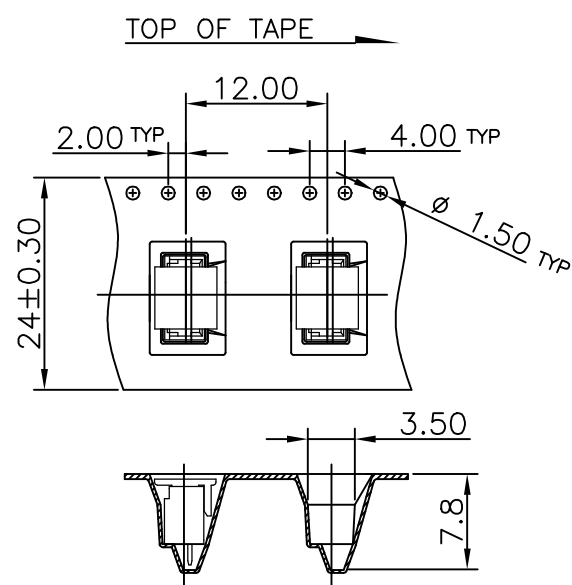
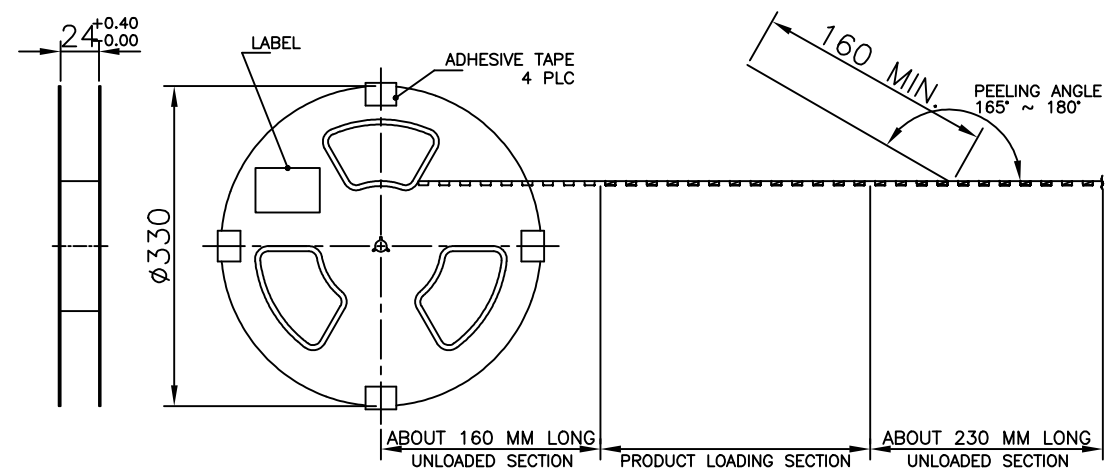
NOTE:  
 1. PN 6-1734598-1  
 6-1734598-2 SEE NEXT PAGE

TUBES/BOX	QUANTITY	PCS/TUBE	G/W (KG)	N/W (KG)	NO. OF CONTACTS
200	6000	30	5.948	2.178	15
200	6400	32	5.920	2.150	14
200	6800	34	5.919	2.148	13
200	7200	36	5.959	2.188	12
200	7800	39	5.868	2.098	11
200	8600	43	5.972	2.201	10
200	9400	47	5.970	2.199	9
200	10400	52	5.954	2.184	8
200	11600	58	5.974	2.204	7
200	13200	66	5.850	2.112	6
200	15200	76	5.929	2.158	5
200	18000	90	5.930	2.160	4
200	22000	110	5.950	2.178	3
200	28200	141	5.915	2.143	2

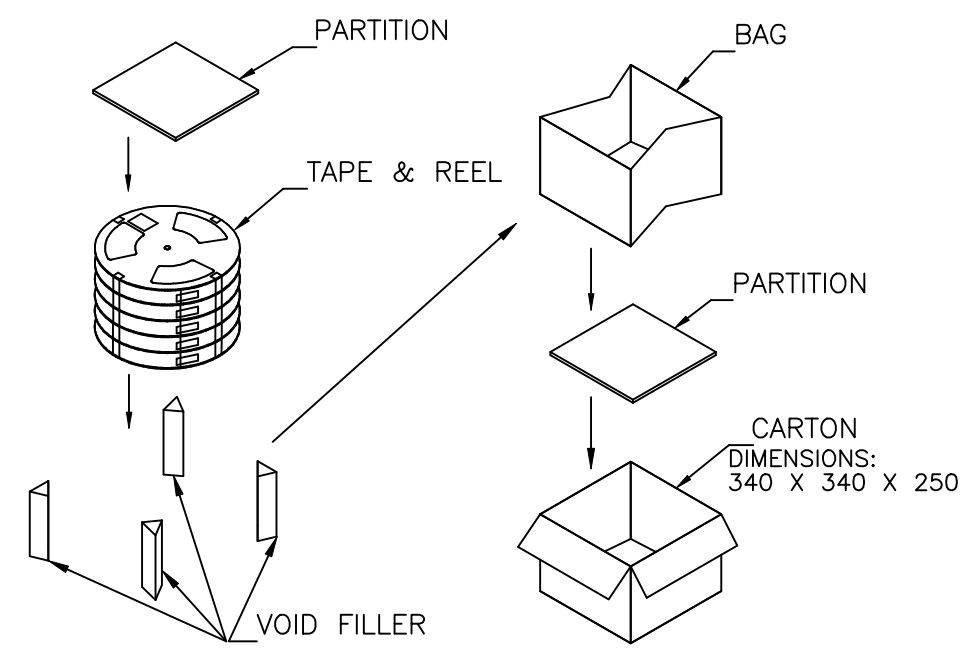
THIS DRAWING IS A CONTROLLED DOCUMENT.		DWN	 TE Connectivity NAME 1.25 MM PITCH WIRE-TO-BOARD CONNECTOR, HEADER, DIP, VERTICAL				
DIMENSIONS: MM		CHK					
TOLERANCES UNLESS OTHERWISE SPECIFIED:		APVD					
0 PLC ± - 1 PLC ± - 2 PLC ± - 3 PLC ± - 4 PLC ± - ANGLES ± -		PRODUCT SPEC					
MATERIAL		FINISH	APPLICATION SPEC	SIZE	CAGE CODE	DRAWING NO	RESTRICTED TO
			WEIGHT	A3	00779	C=1734598	-
CUSTOMER DRAWING			SCALE	SHEET	REV		
				-	3 of 4	R4	

THIS DRAWING IS UNPUBLISHED. RELEASED FOR PUBLICATION  
 © COPYRIGHT 2013 BY TE CONNECTIVITY. ALL RIGHTS RESERVED.

LOC	DIST	REVISIONS					
DW	-	P	LTR	DESCRIPTION	DATE	DWN	APVD
				SEE SHEET 1			



- NOTE:
1. PEELING FORCE: 10g ~ 130g.
  2. PEELING SPEED: 300mm/min.(REFERENCE)



5.44	0.61	700	7	4900	6-1734598-2
5.7	0.87	700	7	4900	6-1734598-1
G/W (Kg)	N/W (Kg)	PCS/TAPE	REELS/BOX	NO. OF CONNECTORS	PART NUMBER

THIS DRAWING IS A CONTROLLED DOCUMENT.		DWN	 <b>TE Connectivity</b>					
DIMENSIONS: MM		CHK					NAME	
		APVD					1.25 MM PITCH WIRE-TO-BOARD CONNECTOR, HEADER, DIP, VERTICAL	
TOLERANCES UNLESS OTHERWISE SPECIFIED:		PRODUCT SPEC					RESTRICTED TO	
MATERIAL		APPLIC. SPEC	SIZE	CAGE CODE	DRAWING NO			
FINISH		WEIGHT	A3	00779	C=1734598			
		CUSTOMER DRAWING	SCALE	SHEET	4 of 4	REV R4		