

| REVISIONS | | | | |
|-----------|-----|----------------------|-----------|-----------|
| P | LTR | DESCRIPTION | DATE | APVD |
| | A | NEW DRAWING | 11OCT2006 | SG AS |
| | C | ECR-07-023950 | 12OKT2007 | WD WM |
| | C1 | DRAWING NAME ADAPTED | 11JUN2014 | Bren Merz |

Aktuelle Produktinformationen
 Siehe Produktgruppenzeichnung
 1719797

REFER TO PRODUCT GROUP DRAWING
 FOR LATEST INFORMATION
 OF THE PART
 1719797

2006


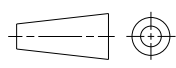
RELEASED FOR PUBLICATION

ALL RIGHTS RESERVED.

THIS DRAWING IS UNPUBLISHED.

BY -

© COPYRIGHT 2006

| | | | | | | | |
|--|--|-------------------|-----------|--|-----------|------------|---------------|
| DIMENSIONS: mm | | DWN S. G. | 11OCT2006 | MATERIAL | - | FINISH | - |
| TOLERANCES UNLESS OTHERWISE SPECIFIED: | | CHK A. Schmid | 11OCT2006 |  TE Connectivity | | | |
| | | APVD A. Schmid | 11OCT2006 | | | | |
| 0 PLC ± | | PRODUCT SPEC | | NAME | | | |
| 1 PLC ± | | - | | MCON 2.8 RECEPTACLE | | | |
| 2 PLC ± | | APPLICATION SPEC | | MCON 2.8 Buchsenkontakt | | | |
| 3 PLC ± | | - | | SIZE | CAGE CODE | DRAWING NO | RESTRICTED TO |
| 4 PLC ± | | WEIGHT | | A 4 | 00779 | C-1719840 | - |
| ANGLES ±° | | Customer Drawing | | SCALE | - | SHEET | 1 OF 1 |
|  | | | | | | REV | C1 |