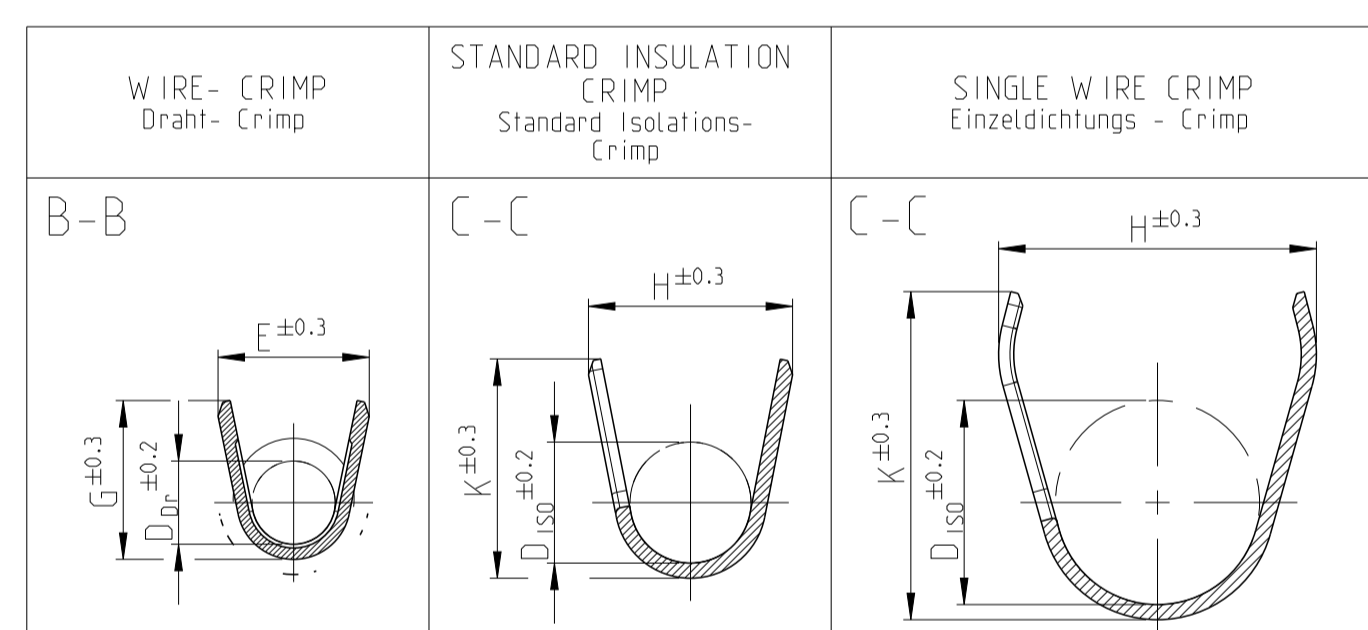
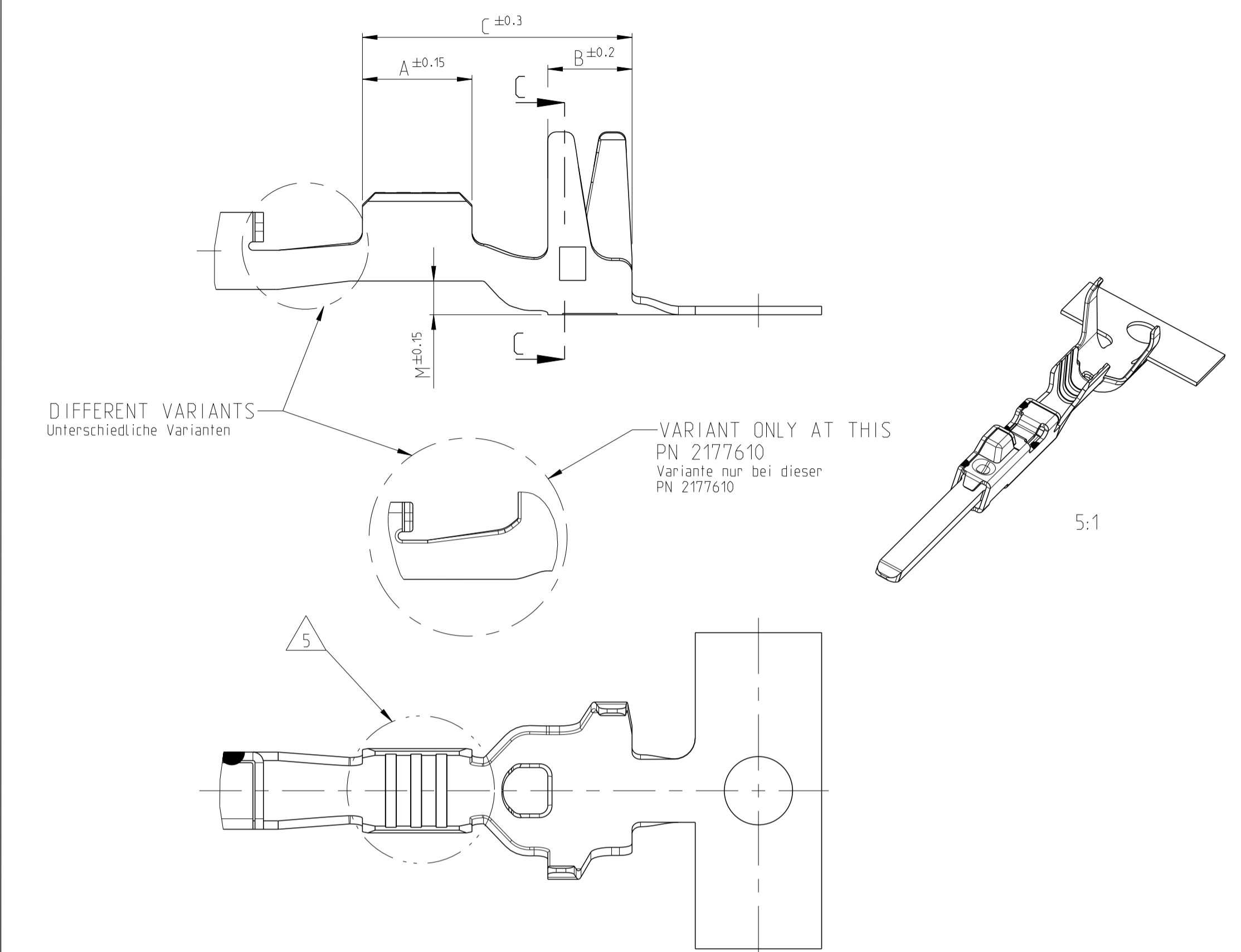
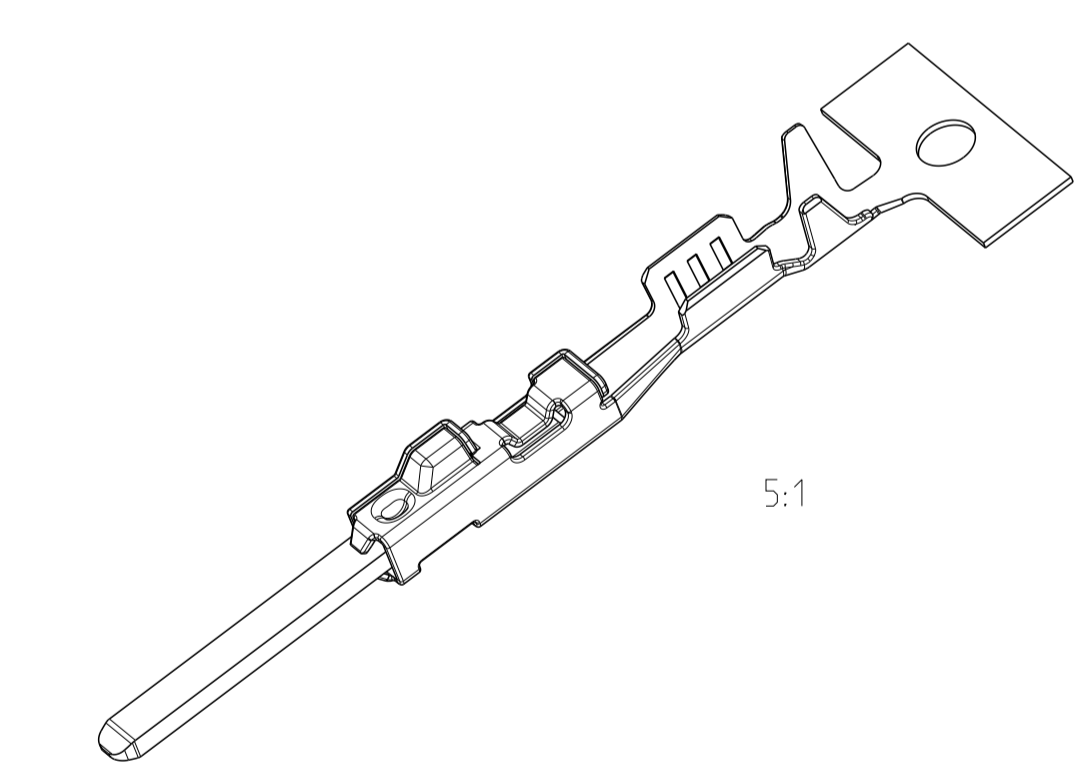


SINGLE WIRE SEALING SYSTEM
Einzelleiter- Dichtungs- System



ORDER NO. Bestell-Nr. STRIP Bandware	REV	ORDER NO. Bestell-Nr. LOOSE PIECE Einzelausführung	WIRE RANGE Drahtgrößen- bereich (mm ²)	INSULATION-Ø Isolation-Ø (mm)	BODY Kontaktkörper	TAB Flachstecker	BODY Kontaktkörper	TAB Flachstecker	LENGTH Laenge	WIRE CRIMP Drahtcrimp	INSULATION CRIMP Isolationscrimp	DIMENSION MASS 'L' (mm)	INSULATION CRIMP FOR Isolationscrimp Type	WIRE-CRIMP Draht- Crimp		STANDARD INSULATION CRIMP Standard Isolations- Crimp		SINGLE WIRE CRIMP Einzeldichtungs - Crimp		MATERIAL Werkstoff	SURFACE Oberflaeche	CRIMP DIMENSIONS Crimpabmessungen (mm)	DIMENSION MASS 'L' (mm)	INSULATION CRIMP FOR Isolationscrimp Type	SINGLE WIRE SEALING SYSTEM Einzelleiterdichtungssystem
														B-B	C-C	C-C	TIN PLATED verzinkt	TIN PLATED verzinkt	TIN PLATED verzinkt						
2177610-3	A	-	1.0-1.5	1.9-2.4	CuSn4	CuSn0.15/0.20	TIN PLATED verzinkt	4 3	A = 3.0 B = 2.0 C = 6.8	E = 2.6 G = 2.9 D _{gr} = 1.35	H = 4.4 K = 4.3 D _{iso} = 2.9	16.8	7	1											
2177610-1	A	-	0.5-0.75	1.4-1.9	CuSn4	CuSn0.15/0.20	TIN PLATED verzinkt	4 3	A = 2.6 B = 2.0 C = 6.4	E = 2.0 G = 2.1 D _{gr} = 1.1	H = 4.2 K = 4.3 D _{iso} = 2.7	16.3	7	2											
214 1116-3	B	-	0.25-0.35	1.1-1.6	CuSn4	CuSn0.15/0.20	TIN PLATED verzinkt	4 3	A = 2.6 B = 2.0 C = 6.4	E = 1.8 G = 1.8 D _{gr} = 0.8	H = 4.2 K = 4.3 D _{iso} = 2.6	16.3	7	3											
214 1114-3	B	-	1.0-1.5	1.9-2.4	CuSn4	CuSn0.15/0.20	TIN PLATED verzinkt	4 3	A = 3.0 B = 2.0 C = 6.1	E = 2.6 G = 2.9 D _{gr} = 1.35	H = 3.7 K = 3.9 D _{iso} = 2.1	16.3	7	4											
214 1114-1	A	-	0.5-0.75	1.4-1.9	CuSn0.15/0.20	CuSn0.15/0.20	TIN PLATED verzinkt	4 3	A = 3.0 B = 2.0 C = 6.1	E = 2.0 G = 2.1 D _{gr} = 1.1	H = 2.7 K = 2.9 D _{iso} = 1.6	16.3	7	5											
1718352-3	A	-	0.25-0.35	1.1-1.6	CuSn0.15/0.20	CuSn0.15/0.20	TIN PLATED verzinkt	4 3	A = 2.6 B = 2.0 C = 5.7	E = 1.8 G = 1.8 D _{gr} = 0.8	H = 2.6 K = 2.6 D _{iso} = 1.4	15.3	7	6											
1718352-2	A	-	1.0-1.5	1.9-2.4	CuSn4	CuSn0.15/0.20	TIN PLATED verzinkt	4 3	A = 3.0 B = 2.0 C = 6.1	E = 2.6 G = 2.9 D _{gr} = 1.35	H = 3.7 K = 3.9 D _{iso} = 2.1	16.3	7	7											
1718352-1	A	-	0.5-0.75	1.4-1.9	CuSn0.15/0.20	CuSn0.15/0.20	TIN PLATED verzinkt	4 3	A = 3.0 B = 2.0 C = 6.1	E = 2.0 G = 2.1 D _{gr} = 1.1	H = 2.7 K = 2.9 D _{iso} = 1.6	16.3	7	8											
1718350-3	B	1718390-3	1.0-1.5	1.9-2.4	CuSn4	CuSn0.15/0.20	TIN PLATED verzinkt	4 3	A = 3.0 B = 2.0 C = 6.1	E = 2.6 G = 2.9 D _{gr} = 1.35	H = 3.7 K = 3.9 D _{iso} = 2.1	16.3	7	9											
1718350-2	B	1718390-2	0.5-0.75	1.4-1.9	CuSn0.15/0.20	CuSn0.15/0.20	TIN PLATED verzinkt	4 3	A = 3.0 B = 2.0 C = 6.1	E = 2.0 G = 2.1 D _{gr} = 1.1	H = 2.7 K = 2.9 D _{iso} = 1.6	16.3	7	10											
1718350-1	B	1718390-1	0.25-0.35	1.1-1.6	CuSn0.15/0.20	CuSn0.15/0.20	TIN PLATED verzinkt	4 3	A = 2.6 B = 2.0 C = 5.7	E = 1.8 G = 1.8 D _{gr} = 0.8	H = 2.6 K = 2.6 D _{iso} = 1.4	15.3	7	11											
1718348-3	A	1703698-3	1.0-1.5	1.9-2.4	CuSn4	CuSn0.15/0.20	TIN PLATED verzinkt	4 3	A = 3.0 B = 2.0 C = 6.1	E = 2.6 G = 2.9 D _{gr} = 1.35	H = 3.7 K = 3.9 D _{iso} = 2.1	16.3	7	12											
1718348-2	A	1703698-2	0.5-0.75	1.4-1.9	CuSn0.15/0.20	CuSn0.15/0.20	TIN PLATED verzinkt	4 3	A = 3.0 B = 2.0 C = 6.1	E = 2.0 G = 2.1 D _{gr} = 1.1	H = 2.7 K = 2.9 D _{iso} = 1.6	16.3	7	13											
1718348-1	A	1703698-1	0.25-0.35	1.1-1.6	CuSn0.15/0.20	CuSn0.15/0.20	TIN PLATED verzinkt	4 3	A = 2.6 B = 2.0 C = 5.7	E = 1.8 G = 1.8 D _{gr} = 0.8	H = 2.6 K = 2.6 D _{iso} = 1.4	15.3	7	14											

- 1 LASER WELDED
Lasergeschweisst
- 2 REVISION STATUS
Revisionsstand
- 3 CONTACT AREA TAB MIN. 0.8µm SELECTIV GOLD OVER Ni
Kontaktzone selectiv vergoldet min.0.8µm ueber Ni
- 4 CONTACT AREA TAB MIN. 2.0µm SELECTIV SILVER
Kontaktzone selectiv versilbert min.2.0µm
- 5 RETENTION FORCE INSERT TAB PUSHED INSIDE BODY MIN. 40N
Haltekraefte Insertab in Body "gedrueckt" min. 40N
- 6 DIFFERENT FORM OF THE SERRATIONS AND WIRE-CRIMP POSSIBLE
unterschiedliche Ausfuehrung der Ritzen und des Draht-Crimps moeglich
- 7 SEE APPLICATION SPECIFICATION TE-SPEC. 114-18464
siehe Verarbeitungsspezifikation



PRODUCT CHARACTERISTICS ACC. QMP_EMEA_012 BESONDERE MERKMALE NACH QMP_EMEA_012		TOLERANCING ISO 8015 TOLERIERUNG ISO 8015																					
THIS DRAWING IS A CONTROLLED DOCUMENT. DIESER ZEICHNUNGSDRUCK IST EIN KONTROLLIERTES DOKUMENT. ANSPRUCH AUF DEN STANDORT DER KONTROLLIERTEN ZEICHNUNG: 114-18464		DWN J.SIENKIEWICZ 29APR2004 CHK G.HOTEA 29APR2004																					
DIMENSIONS MASSSTABEN (mm)		TOLERANCES UNLESS OTHERWISE SPECIFIED: ALLGEMEINER TOLERANZEN																					
<table border="1"> <tr><td>0 PLC</td><td>±</td></tr> <tr><td>1 PLC</td><td>±</td></tr> <tr><td>2 PLC</td><td>±</td></tr> <tr><td>3 PLC</td><td>±</td></tr> <tr><td>4 PLC</td><td>±</td></tr> </table>		0 PLC	±	1 PLC	±	2 PLC	±	3 PLC	±	4 PLC	±	<table border="1"> <tr><td>0</td><td>±</td></tr> <tr><td>1</td><td>±</td></tr> <tr><td>2</td><td>±</td></tr> <tr><td>3</td><td>±</td></tr> <tr><td>4</td><td>±</td></tr> </table>		0	±	1	±	2	±	3	±	4	±
0 PLC	±																						
1 PLC	±																						
2 PLC	±																						
3 PLC	±																						
4 PLC	±																						
0	±																						
1	±																						
2	±																						
3	±																						
4	±																						
MATERIAL		FINISH/BEARBEITUNG/FARBEN																					
Customer Drawing		Customer Drawing																					
NAME MCON 1.2 TAB-CB-TERMINAL MCON 1.2 Tab-CB-Flachstecker		SCALE 10:1																					
SIZE A1		SHEET 1 OF 1																					
CAGE CODE 00779		DRAWING NO. 1718398																					
RESTRICTED TO NUR FÜR		REV B11																					