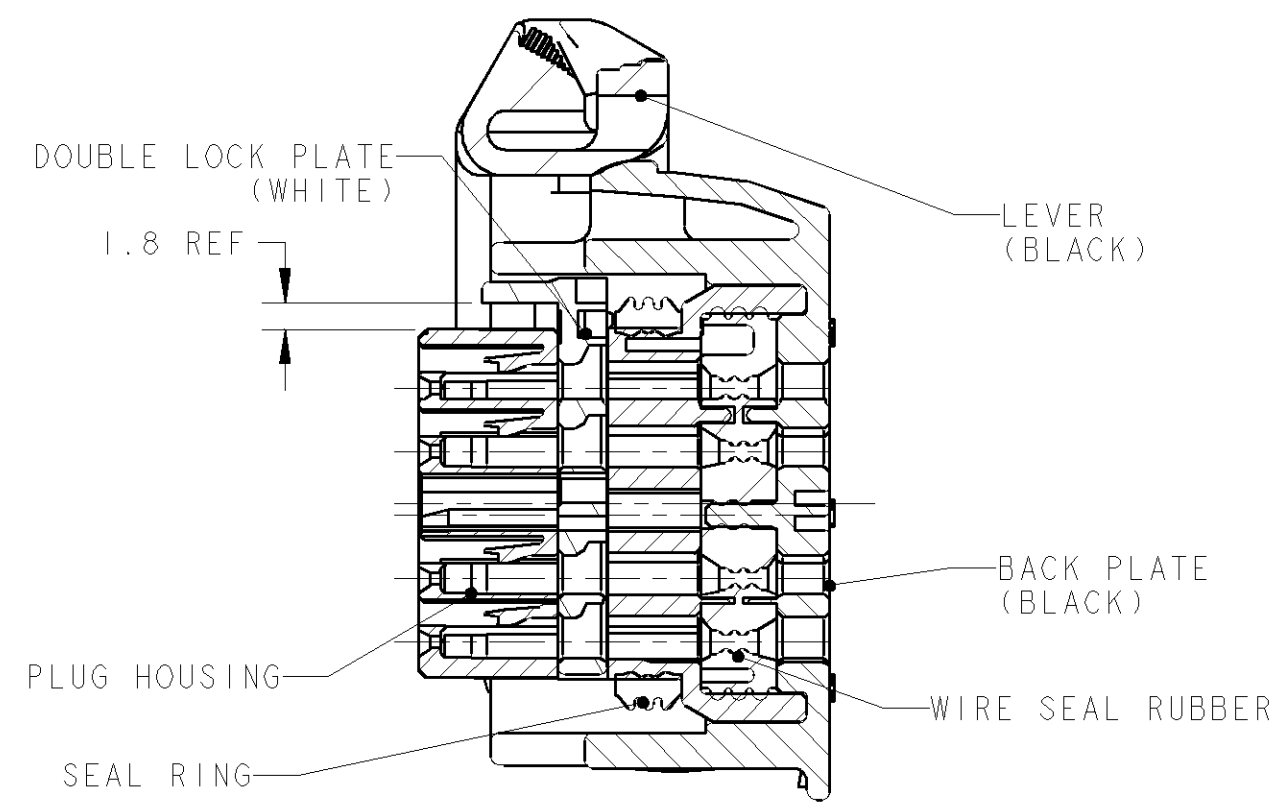
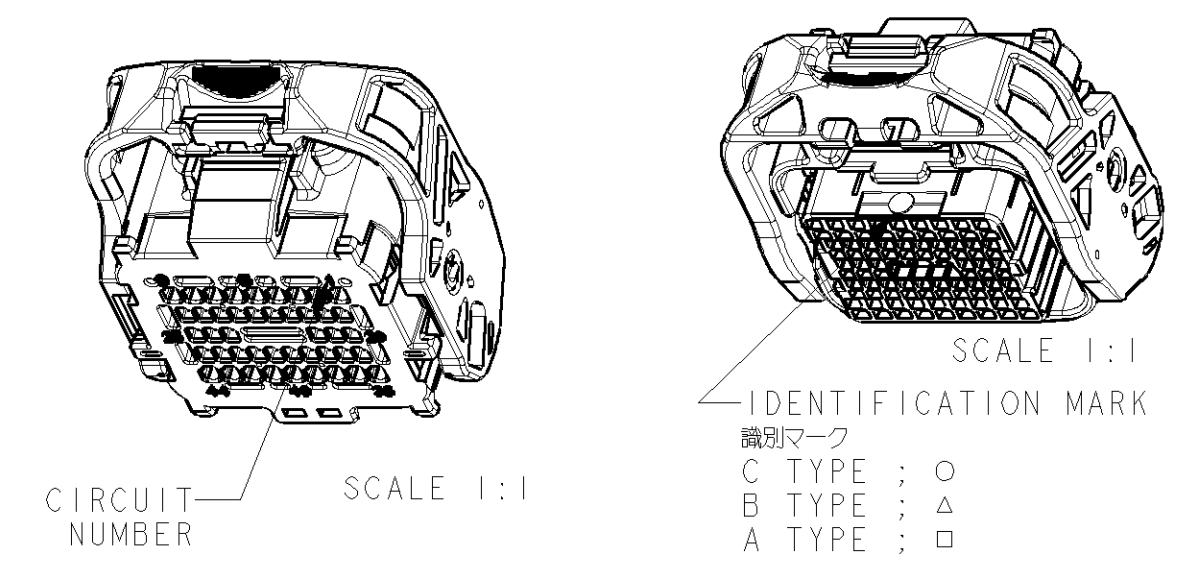
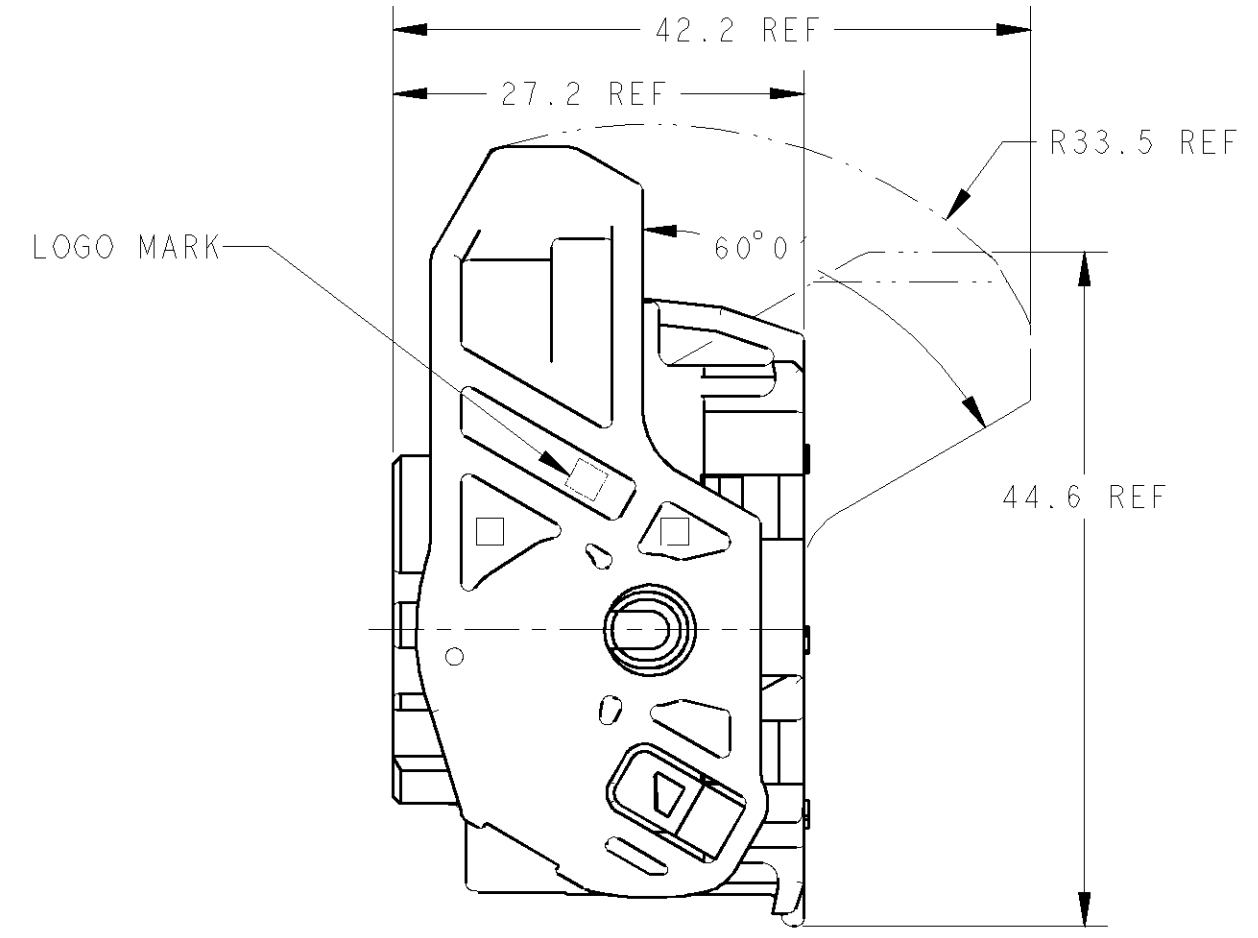
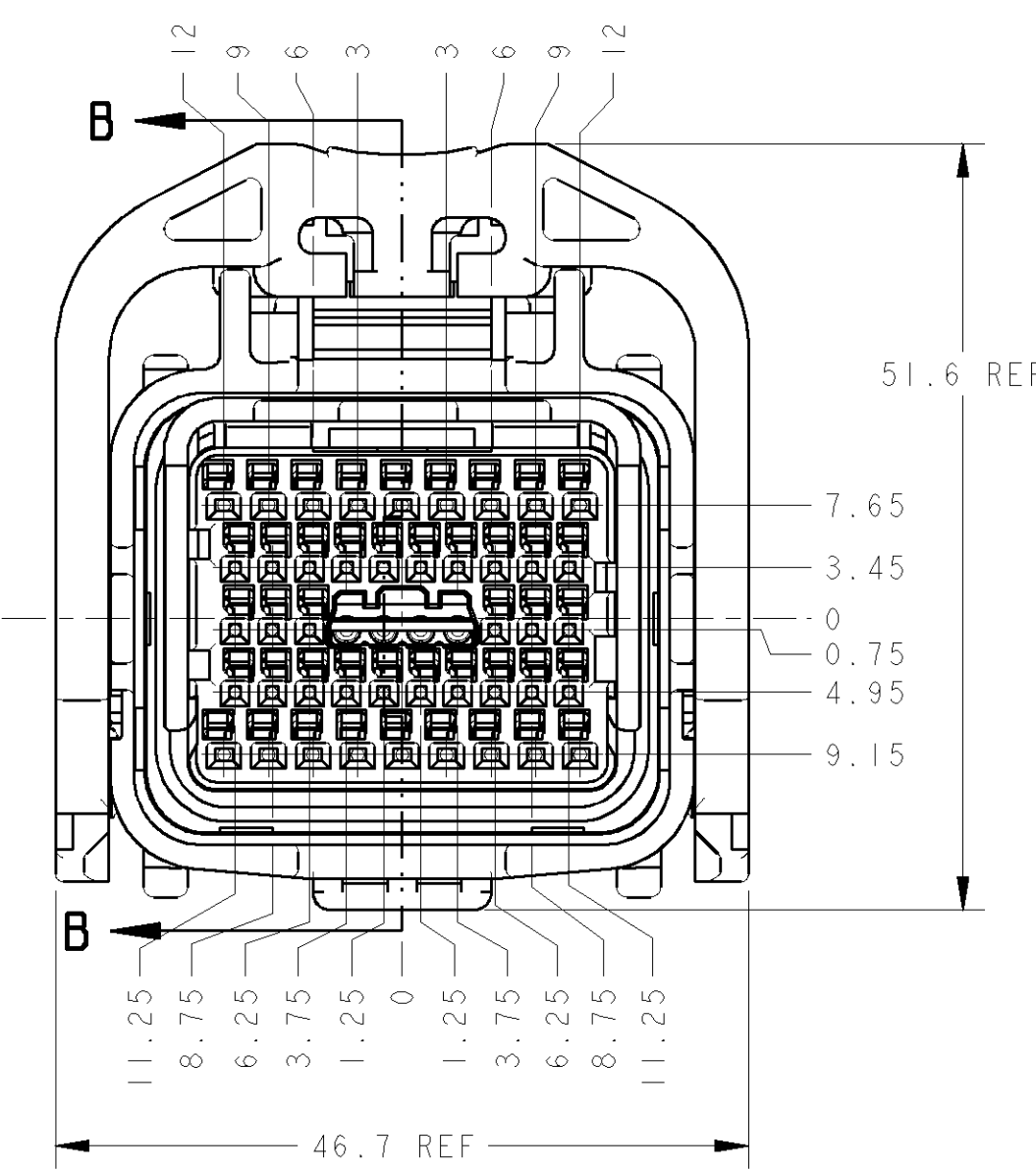


THIS DRAWING IS UNPUBLISHED. RELEASED FOR PUBLICATION 20
 © COPYRIGHT 20 BY TYCO ELECTRONICS CORPORATION. ALL RIGHTS RESERVED.

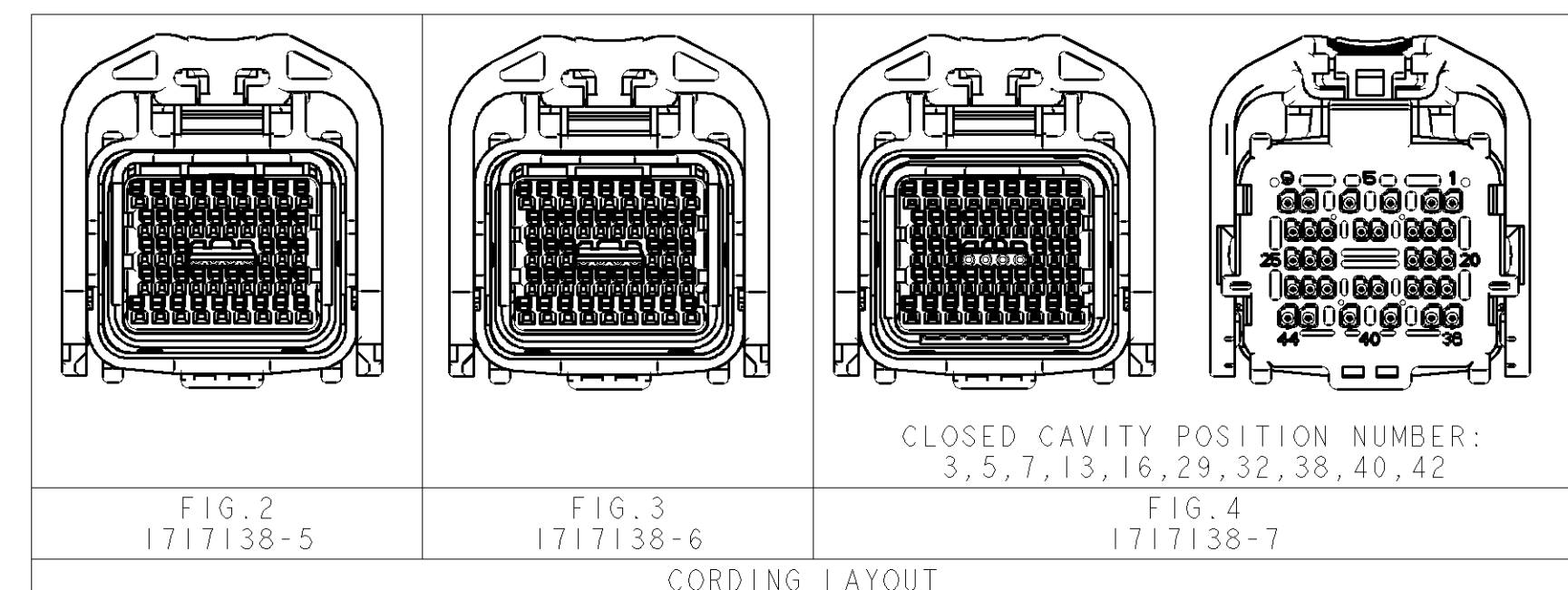
LOC	DIST	REVISIONS						
		P	LTR	DESCRIPTION	ECN	DATE	DWN	APVD
J	-	0		RELEASED	FJA0-0611-03	27MAY04	K.S	Y.F
		01		REVISED	ECR-05-003163	15MAY05	K.S	Y.F
		A		ADDED -7	ECR-07-019844	22AUG07	S.S	Y.F
		B		REVISED	ECR-10-007503	21APR10	TS	KB



1. MATING WITH CAP HOUSING SMOOTHLY.
 CAP HOUSING PRODUCT NUMBER ; 1717139
 2. APPLICABLE CONTACT PART NUMBER ; SEE TABLE-2.
1. 相手ハウジングと支障なく嵌合できること。
 嵌合相手型番 ; 1717139
 2. 適用端子型番 ; TABLE-2参照。

POSITIONS	CURCUIT NUMBER	CONTACT PART NO
極数	回路番号	適用端子型番
26	10-35	1717148
		1318329
		1612775
18	1-9 , 36-44	1612776
		1318332

TABLE-2



SEE FIG.	COLOR OF PLUG HOUSING	PLUG HOUSING ASSEMBLY	POSITIONS	TYPE	PRODUCT NO
FIG. 4	WHITE	PLUG HOUSING ASSEMBLY	34	A TYPE	1717138-7
FIG. 3	WHITE	PLUG HOUSING ASSEMBLY	44	A TYPE	1717138-6
FIG. 2	GRAY	PLUG HOUSING ASSEMBLY	44	B TYPE	1717138-5
AS SHOWN	DARK GREEN	PLUG HOUSING ASSEMBLY	44	C TYPE	1717138-4

THIS DRAWING IS A CONTROLLED DOCUMENT FOR TYCO ELECTRONICS CORPORATION. IT IS SUBJECT TO CHANGE AND THE CONTROLLING ENGINEERING ORGANIZATION SHOULD BE CONTACTED FOR THE LATEST REVISION.

DWN: K. SHIGA 27MAY04
 CHK: Y. NOGUCHI 27MAY04
 APVD: Y. FUJIWARA 27MAY04

Tyco Electronics Corporation
 Kawasaki, Japan

NAME: PLUG HOUSING ASSEMBLY 44 POSITIONS
 025/040 SEALED CONNECTOR

SIZE: A2 CAGE CODE: 00779 DRAWING NO: C-1717138 RESTRICTED TO

MATERIAL: PBT TOLERANCES UNLESS OTHERWISE SPECIFIED: ±0.3
 DIMENSIONS: 単位: 概 mm

PRODUCT SPEC: 108-5911
 APPLICATION SPEC: 114-5278

WEIGHT: 34.9
 SCALE: 2:1 SHEET 1 OF 1 REV B