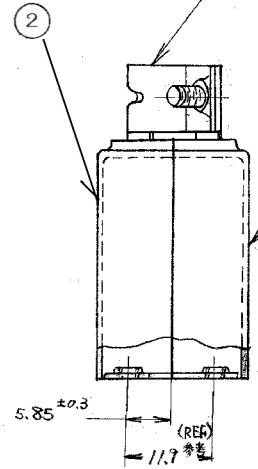
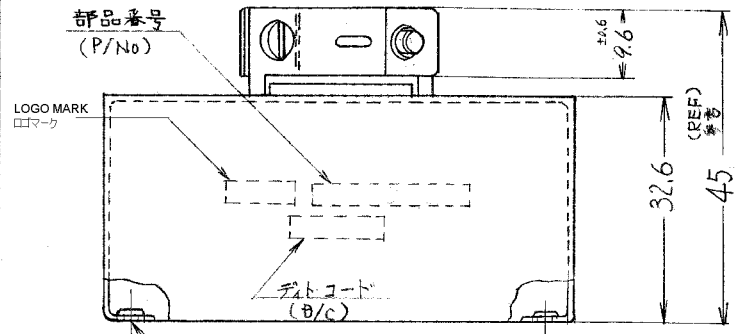
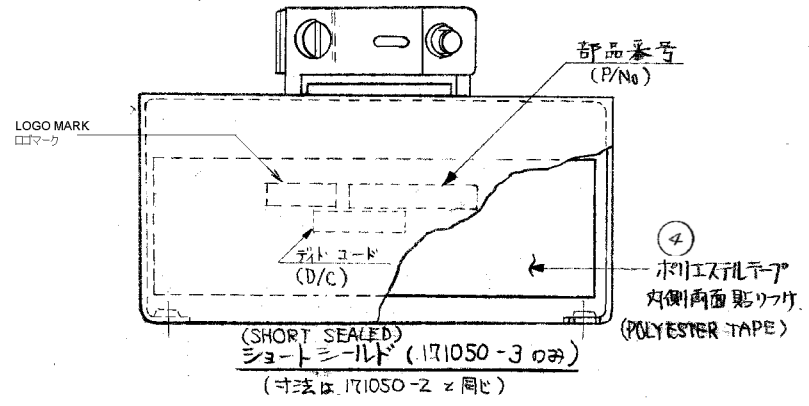
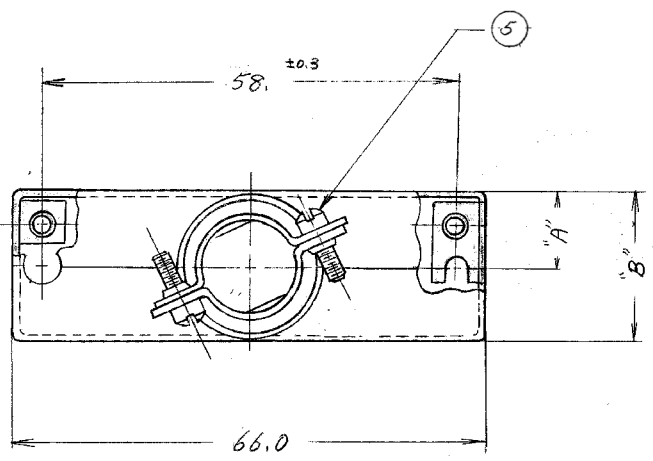


(NOTE)
 注記: 1. 最大電線束線径: φ18. (MAX. CABLES DIA.: φ18)
 2. 最小電線束線径: φ12. (MIN. CABLES DIA.: φ12)
 △ ウィスカ対策・RoSH対応品
 (WHISKER COUNTERMEASURE & RoSH COMPLIANCE)



品番 (NUMBER)	数量 (QTY)	単位 (UNIT)	寸法 (DIM)	仕様 (SPEC)	材料 (MATERIAL)	備考 (REMARKS)	ITEM NO.
21.9REF	2	個	10.8 ± 0.3	SCREW FILLISTER HEAD	△ CARBON STEEL, NI PLATED		⑤
22.6REF	2	個	11.3 ± 0.3	SCREW FILLISTER HEAD	CARBON STEEL, ZINC PLATED		⑤
21.8REF	2	個	10.8 ± 0.3	POLYESTER TAPE	POLYESTER TAPE		④
21.8REF	2	個	10.8 ± 0.3	CABLE CLAMP	△ ZINC-COATED STEEL, PAINTED TO METALIC SILVER		③
21.8REF	2	個	10.8 ± 0.3	CABLE CLAMP	△ ZINC-COATED STEEL, PAINTED TO METALIC SILVER		③
21.8REF	2	個	10.8 ± 0.3	SHIELD HALF (STAMPED)	△ ZINC-COATED STEEL, PAINTED TO METALIC SILVER		②
21.8REF	2	個	11.3 ± 0.3	SHIELD HALF (STAMPED)	△ ZINC-COATED STEEL, PAINTED TO METALIC SILVER		②
21.8REF	2	個	10.8 ± 0.3	SHIELD HALF (STAMPED)	△ ZINC-COATED STEEL, PAINTED TO METALIC SILVER		②
21.8REF	2	個	10.8 ± 0.3	SHIELD HALF (STAMPED)	△ ZINC-COATED STEEL, PAINTED TO METALIC SILVER		②
21.8REF	2	個	10.4 ± 0.3	SHIELD HALF (STAMPED)	△ ZINC-COATED STEEL, PAINTED TO METALIC SILVER		②
21.8REF	2	個	10.8 ± 0.3	SHIELD HALF	△ ZINC-COATED STEEL, PAINTED TO METALIC SILVER		①
21.8REF	2	個	11.3 ± 0.3	SHIELD HALF	ZINC-COATED STEEL, PAINTED TO METALIC SILVER		①
21.8REF	2	個	10.8 ± 0.3	SHIELD HALF	ZINC-COATED STEEL, PAINTED TO METALIC SILVER		①
21.8REF	2	個	10.4 ± 0.3	SHIELD HALF	ZINC-COATED STEEL, PAINTED TO METALIC SILVER		①
21.8REF	2	個	"A"	名称 (NAME)	摘要 (REMARKS)		ITEM NO.

REV.	REVISED (REVISION RECORD)	DR.	CHK.	DATE
H	REVISED PER ECO-20-007658	KR	MZ	12 JUN 2020
G	REVISED	T.N	N.Y	09 SEP 2015
F	改訂 (EJ00-0246-93)	Y.T	S.M	9/28
E1	REVISED (REV. A)	J.S	S.M	1/3 20
E	ADDED -3 (REV. A)	J.S	S.M	5/20
D	OBSELETE-1 (REV. A)	J.T	S.M	9/17
C	ADDED -2 (REV. C)	J.T	S.M	9/14
C	REVISED	J.A	S.M	9/16
B	REVISED (REV. A)	J.K	S.M	7/22
A	REVISED (REV. B)	J.O	S.M	7/14
D	RELEASED (REV. A)	J.T	S.M	7/14

品番 (NUMBER)	数量 (QTY)	単位 (UNIT)	寸法 (DIM)	仕様 (SPEC)	材料 (MATERIAL)	備考 (REMARKS)	ITEM NO.
7-171050	1	個	5.85 ± 0.3	SCREW FILLISTER HEAD	CARBON STEEL, NI PLATED		⑤
171050	2	個	11.3 ± 0.3	SCREW FILLISTER HEAD	CARBON STEEL, ZINC PLATED		⑤
171050	2	個	10.8 ± 0.3	POLYESTER TAPE	POLYESTER TAPE		④
171050	2	個	10.8 ± 0.3	CABLE CLAMP	△ ZINC-COATED STEEL, PAINTED TO METALIC SILVER		③
171050	2	個	10.8 ± 0.3	CABLE CLAMP	△ ZINC-COATED STEEL, PAINTED TO METALIC SILVER		③
171050	2	個	10.8 ± 0.3	SHIELD HALF (STAMPED)	△ ZINC-COATED STEEL, PAINTED TO METALIC SILVER		②
171050	2	個	11.3 ± 0.3	SHIELD HALF (STAMPED)	△ ZINC-COATED STEEL, PAINTED TO METALIC SILVER		②
171050	2	個	10.8 ± 0.3	SHIELD HALF (STAMPED)	△ ZINC-COATED STEEL, PAINTED TO METALIC SILVER		②
171050	2	個	10.8 ± 0.3	SHIELD HALF (STAMPED)	△ ZINC-COATED STEEL, PAINTED TO METALIC SILVER		②
171050	2	個	10.4 ± 0.3	SHIELD HALF (STAMPED)	△ ZINC-COATED STEEL, PAINTED TO METALIC SILVER		②
171050	2	個	10.8 ± 0.3	SHIELD HALF	△ ZINC-COATED STEEL, PAINTED TO METALIC SILVER		①
171050	2	個	11.3 ± 0.3	SHIELD HALF	ZINC-COATED STEEL, PAINTED TO METALIC SILVER		①
171050	2	個	10.8 ± 0.3	SHIELD HALF	ZINC-COATED STEEL, PAINTED TO METALIC SILVER		①
171050	2	個	10.4 ± 0.3	SHIELD HALF	ZINC-COATED STEEL, PAINTED TO METALIC SILVER		①

© COPYRIGHT 2012 BY Tyco Electronics Japan G.K.

材料 (MATERIAL) (SEE DWG.) 上参照
 仕上 (FINISH) (SEE DWG.) 上参照

線径 (WIRE RANGE) mm² (AWG)
 絶縁外径 (INSULATION DIA.) mm (IN)

公差 (TOLERANCE) ±0.4 EXCEPT AS NOTED

名称 (NAME) 50極 180° ショートシールド (50 POS. 180° SHORT SEALED)

型式 (TYPE) 分類 (CLASS) 式 (TYPE)

TE Connectivity

LOGO MARK 部品番号 (P/No) 171050

DIMENSIONS IN MM. DO NOT SCALE PRINT

(SIMULATIVE NO. 200532-2)
 類似 NO. 200532-2