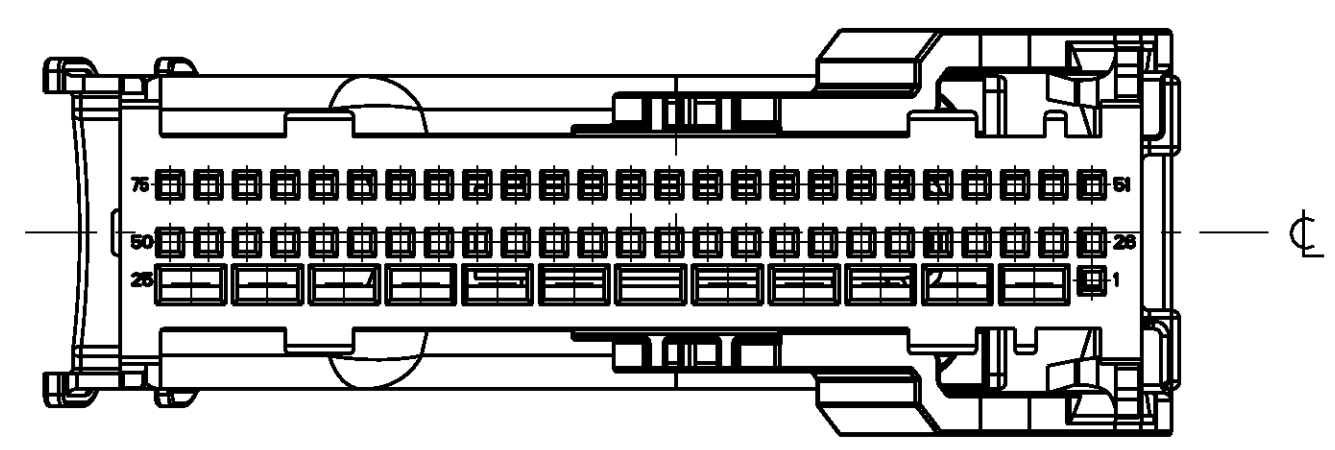
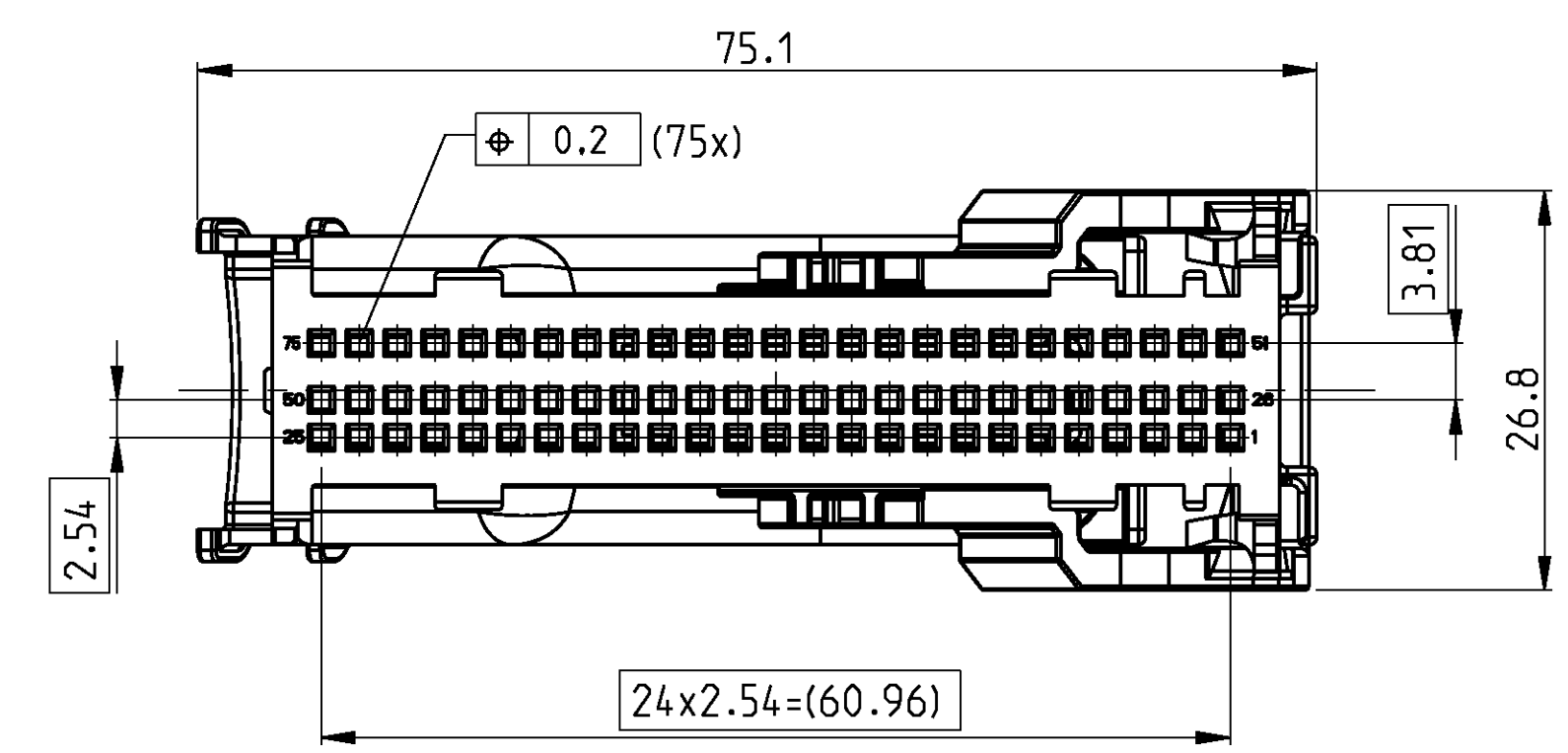


LOC		DIST		REVISIONS			
A	I	P	LTR	DESCRIPTION	DATE	DRW	APVD
		B3		E-10-000379	07JAN2010	YA	HR

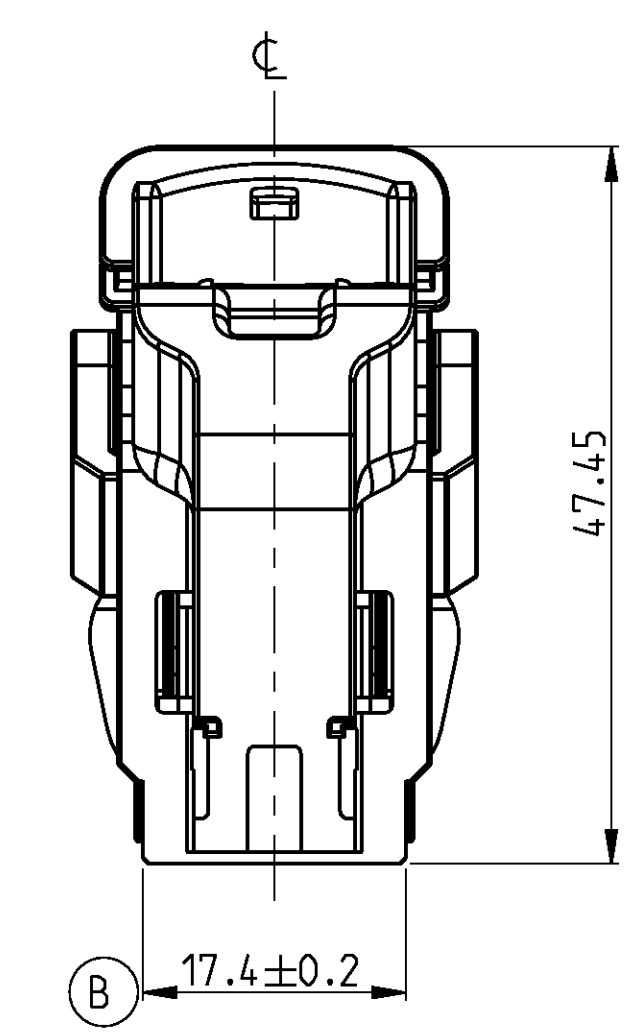
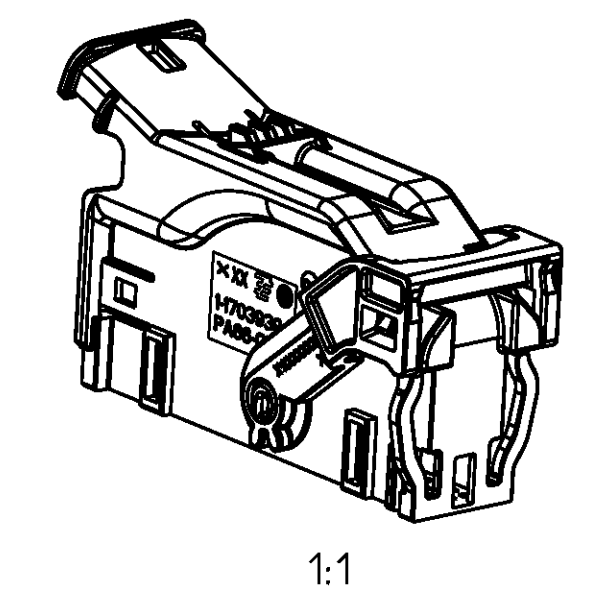
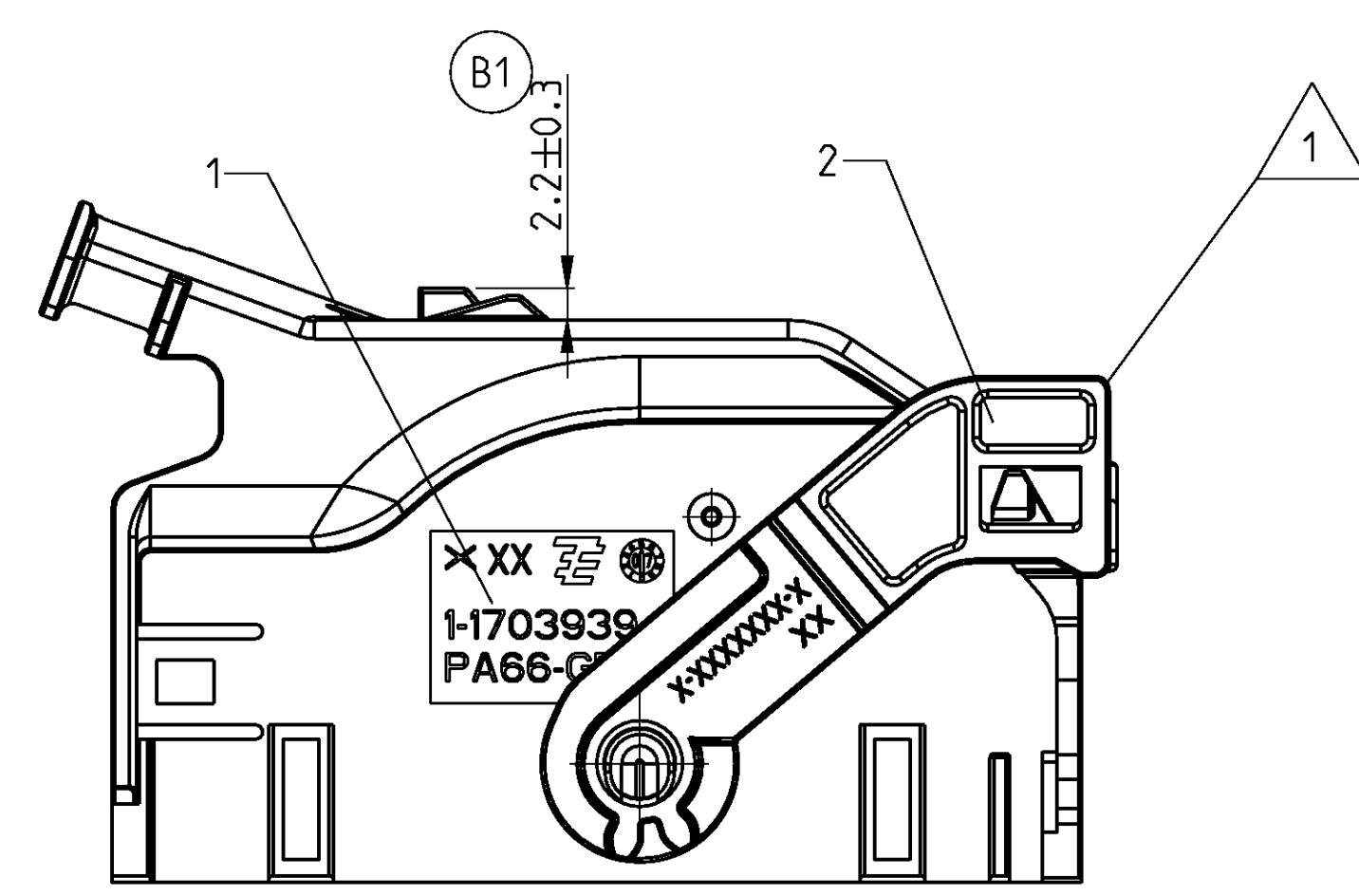
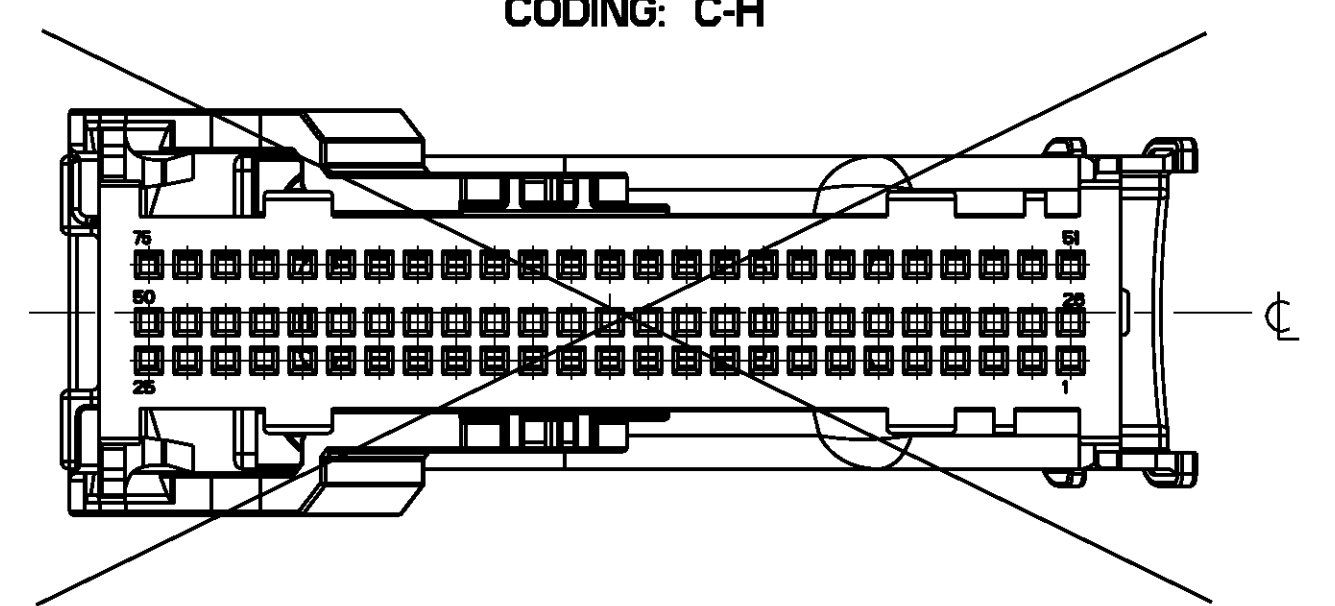
2-1703938-1  
LEFT  
CODING: C-H



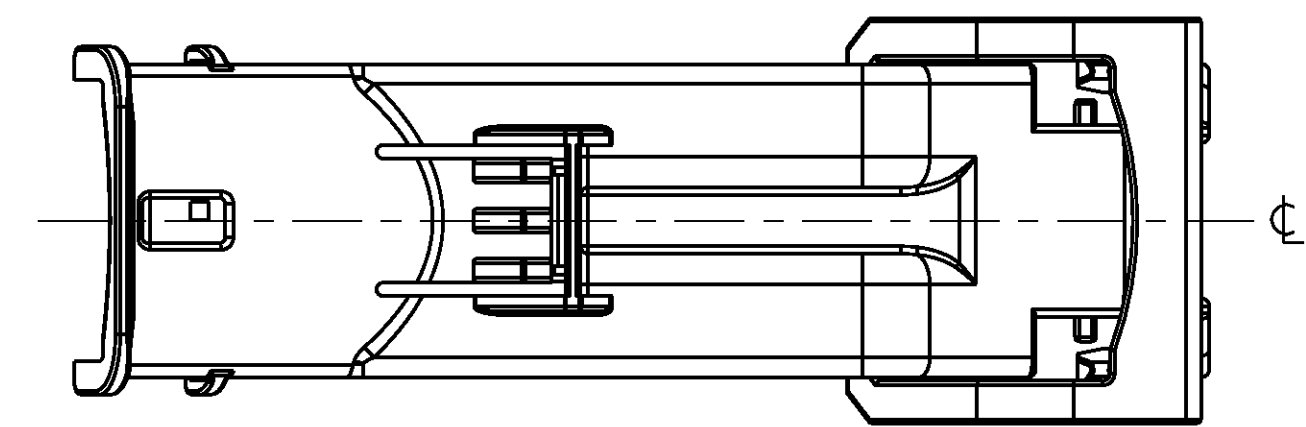
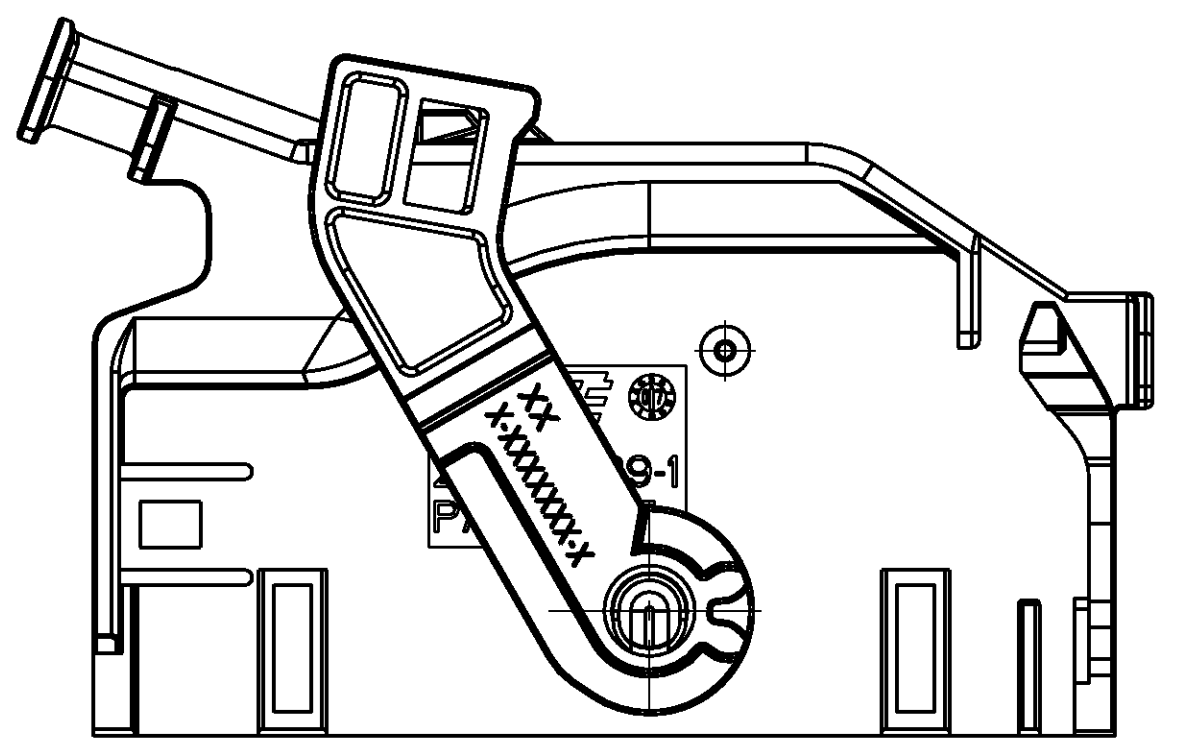
1-1703938-1  
LEFT  
CODING: D-H



3-1703938-1  
RIGHT  
CODING: C-H



LEVER IN ENDOCK POSITION



NOTES  
Bemerkungen

1 LEVER IN PRE-LOCK POSITION, DELIVERY CONDITION.  
Hebel in vorraststellung, Anlieferungszustand.

1 -1 AS SHOWN  
Wie gezeigt

ITEM NO.	DESCRIPTION	COLOR	MATERIAL	PCS.	WEIGHT [-g]	ASSY REV.	TE ORDER NO	VERSION	CODING	USED WITH 127POS. HEADER	USED WITH SOCKET HSG. 50 AND 25 POS
1	LEVER	ORANGE	PBT-GF30	1							
2	COVER	YELLOW	PA66-GF15	1							
1	LEVER	ORANGE	PBT-GF30	1							
1	COVER	BLUE	PA66-GF15	1							
2	LEVER	ORANGE	PBT-GF30	1							
1	COVER	BLACK	PA66-GF15	1							

DIMENSIONS: mm 		TOLERANCES UNLESS OTHERWISE SPECIFIED: 0 PLC ±0.5 1 PLC ±0.5 2 PLC ± 3 PLC ± 4 PLC ± ANGLES ±2° FINISH		DWN Y. Ashour 14DEC2007 CHK H. Ridder 14DEC2007 APVD		Tyco Electronics Tyco Electronics AMP GmbH D - 64625 Bensheim	
MATERIAL: -		PRODUCT SPEC: - APPLICATION SPEC: -		NAME: 75 way MQS cover with lever for airbag module		SIZE: A I 00779 C=1703938 CUSTOMER DRAWING	
SCALE: 2:1		SHEET: 1 OF 1		REV: B3		RESTRICTED TO: -	