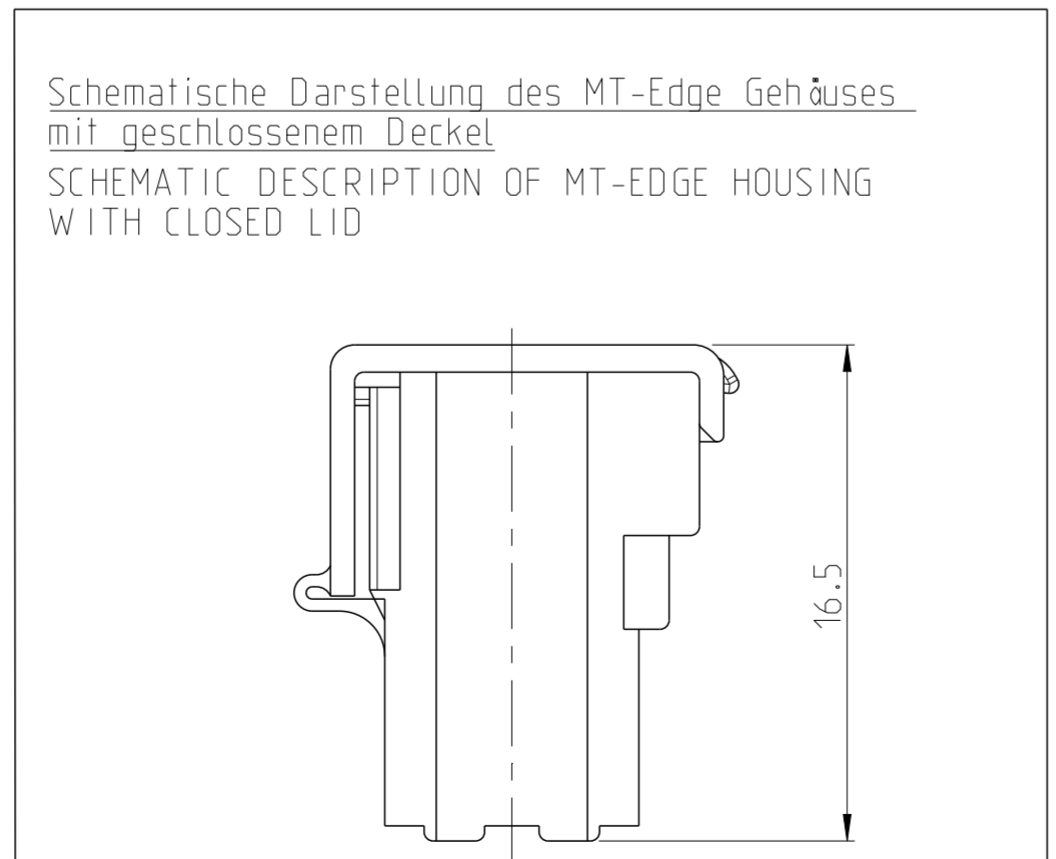
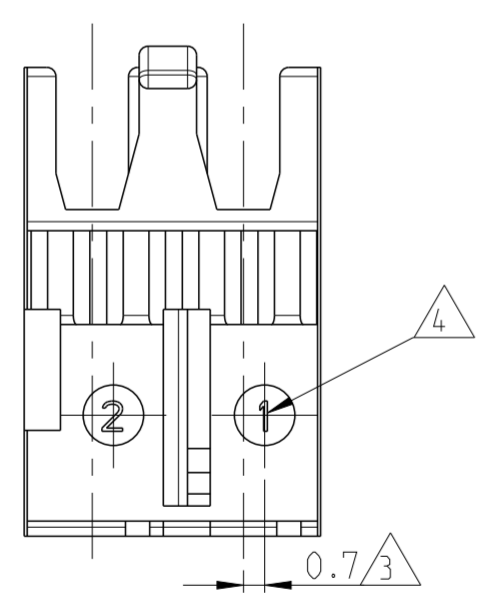
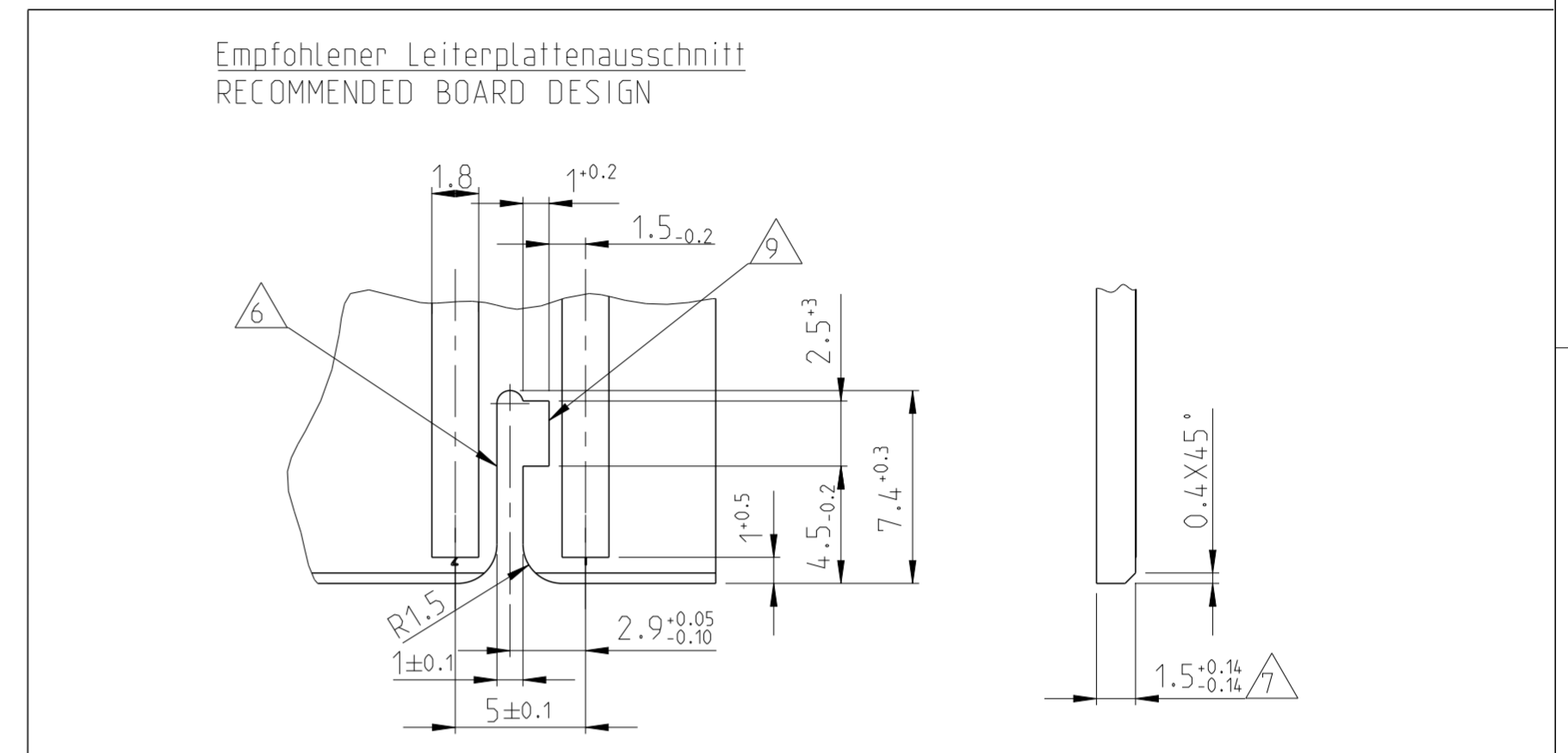
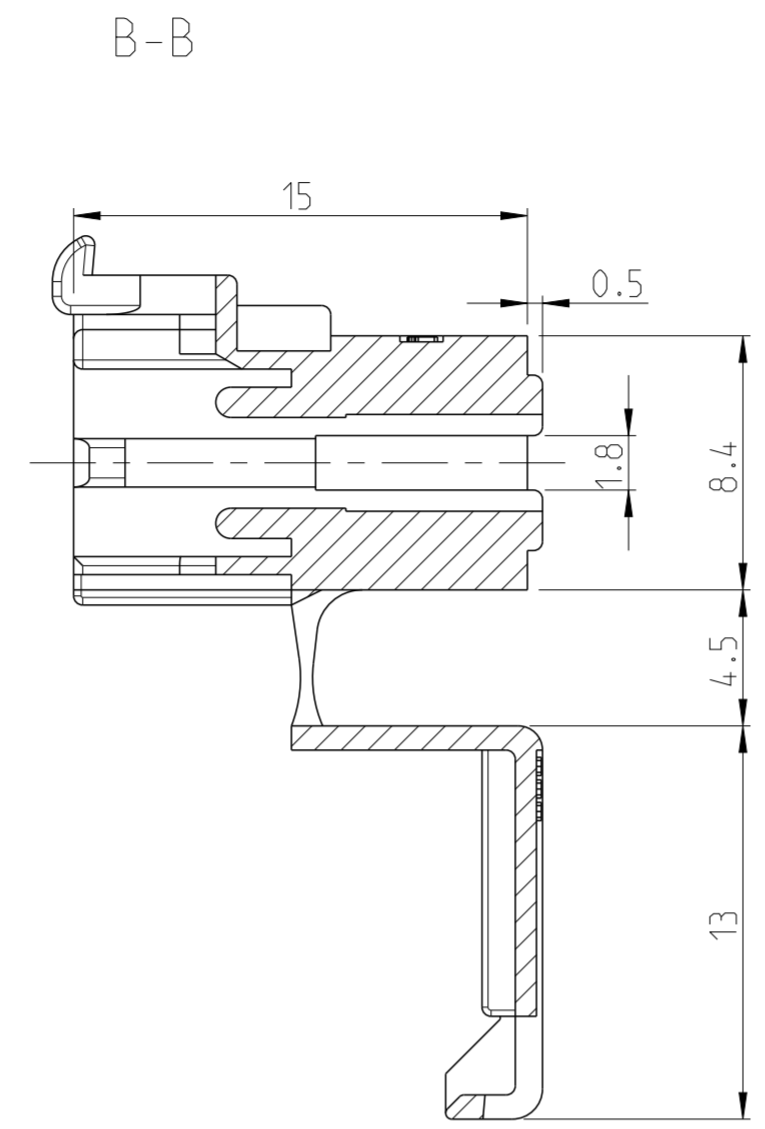
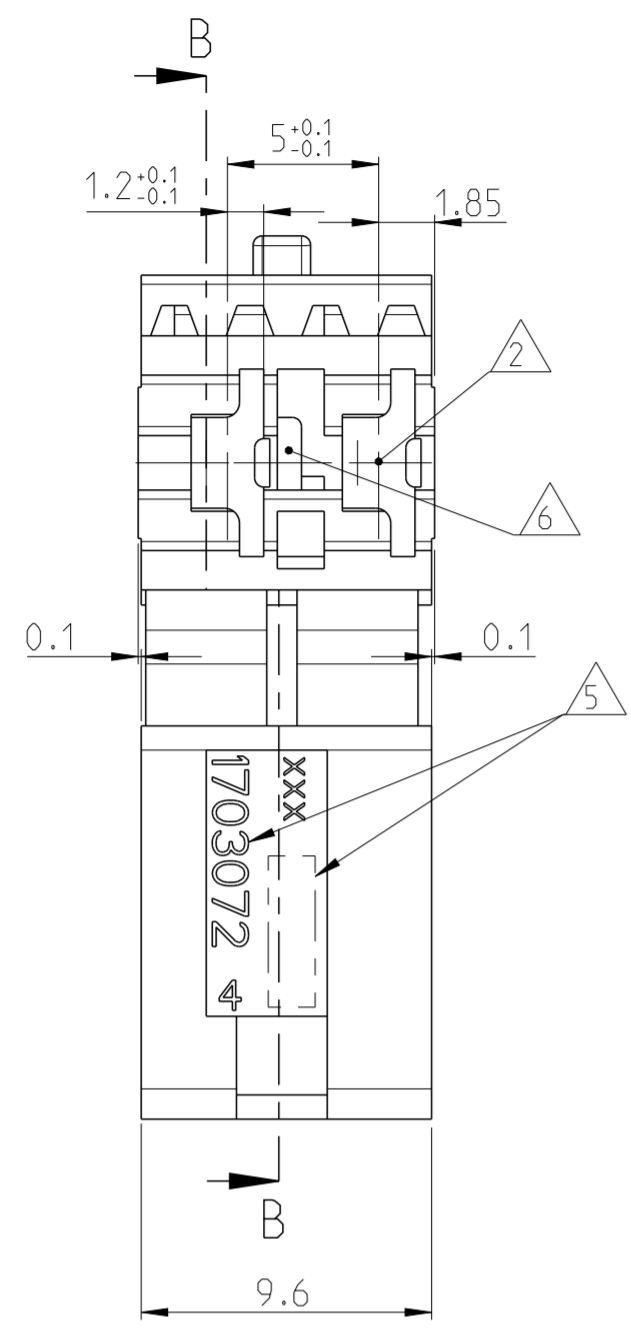


THIS DRAWING IS UNPUBLISHED. RELEASED FOR PUBLICATION  
 © COPYRIGHT copyright\_date BY - ALL RIGHTS RESERVED.

REVISIONS				
P	LTR	DESCRIPTION	DATE	APVD
	D	INITIAL RELEASE	06AUG2013	MKD RRP



Bemerkungen  
 NOTES

- 1 Massgebend ist der deutsche Text  
 ONLY THE GERMAN-LANGUAGE VERSION SHALL BE BINDING
- 2 Lage des Kontaktpunktes auf der Leiterplatte; Abweichung ±0.4  
 POSITION OF CONTACT POINT ON BOARD; DEVIATION ±0.4
- 3 Kontaktierung zur Drahtmitte um 0.7mm versetzt  
 CONTACTING 0.7mm DISPLACED TO WIRE CENTRELINE
- 4 Kontaktkammer-Nr.  
 CONTACT CAVITY #
- 5 Firmenlogo und Leergehäuse-Nr.  
 ARTWORK LOGO AND HOUSING # (NON LOADED)
- 6 Kodersteg Zwischen Kammer Nr. 1&2  
 KEYING RIB BETWEEN CAVITY No 1&2
- 7 Ausführung nach DIN 60249-2-4  
 BOARD DESIGN ACCORDING TO DIN 60249-2-4
- 8 Crimp Kontakt-Nr.:  
 Material: CuSn4 926770-1, 926917-1  
 CRIMP CONTACT #: MATERIAL: CuSn4
- 9 SLOT FOR LOCKING DEVICE BETWEEN CAVITIES
- 10 MATERIAL ACCORDING TO IEC 60335-1 (INCLUDING GWT 750 °C NO FLAME)

1-1703072-5	10	MT-EDGE HOUSING	NATURE
PART-NO.:		DESCRIPTION	COLOUR

THIS DRAWING IS A CONTROLLED DOCUMENT.		DWN DHANESH	06AUG2013	TE Connectivity NAME 2-WAYS MT-EDGE-HOUSING LOOSE PIECE VERSION			
DIMENSIONS: mm		CHK DHANESH	06AUG2013			APVD RAJENDRA	06AUG2013
TOLERANCES UNLESS OTHERWISE SPECIFIED:		PRODUCT SPEC				108-18003	
0 PLC ±0.2 1 PLC ± 2 PLC ± 3 PLC ± ANGLE ±1° FINISH		APPLICATION SPEC				114-18002	
MATERIAL 10 PA6/ UL94 V2		WEIGHT		-			
		CUSTOMER DRAWING		SCALE	4:1		
				SHEET	1 OF 1		
				REV	D		