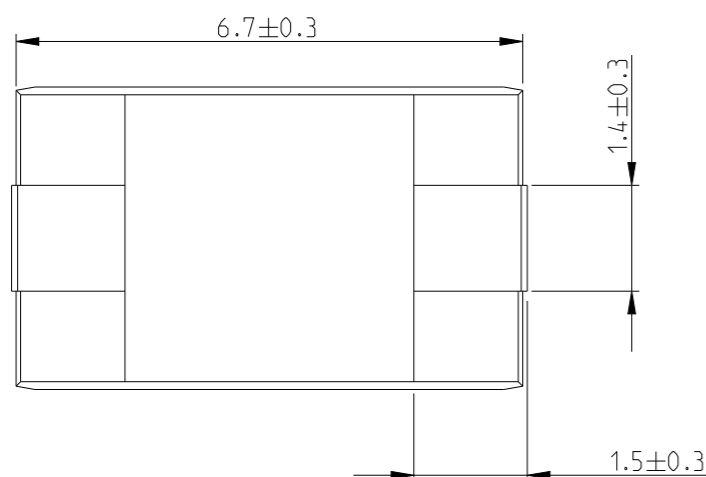
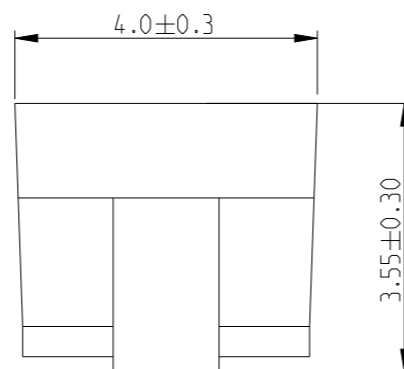
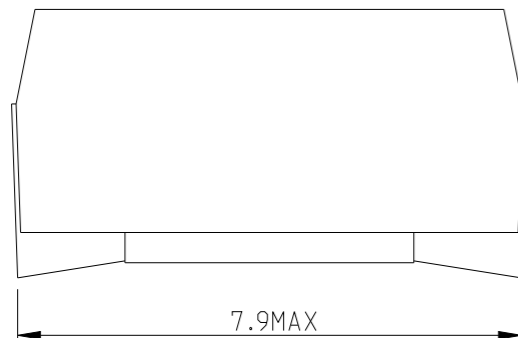


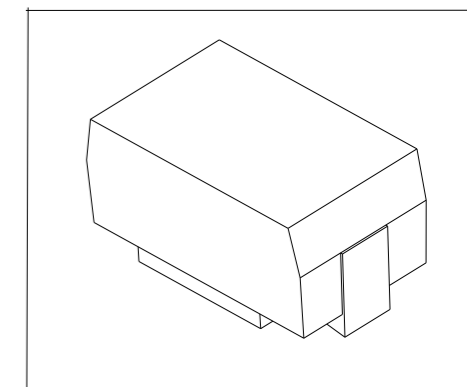
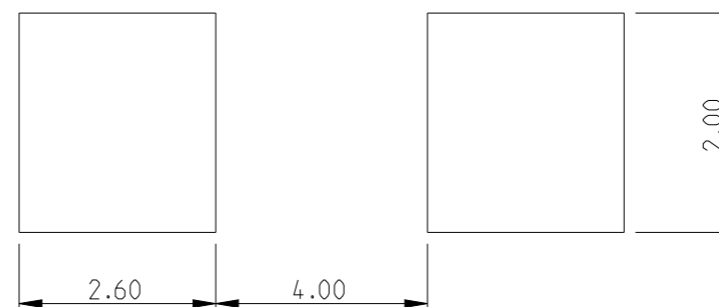
REVISIONS

P	LTR	DESCRIPTION	DATE	DWN	APVD
	BA	NEW RELEASE	27AUG2010	PT	St.P
	BA1	SCHEDULE ADDED AND LAND PATTERN UPDATED	02NOV2023	DM	AP

FOR FURTHER INFORMATION SEE DATA SHEET FOR SERIES SM - SMD MOULDED POWER RESISTOR



RECOMMENDED LAND PATTERN



THIS DRAWING IS A CONTROLLED DOCUMENT.

DWN	27AUG2010
PARUSURAM.T	
CHK	27AUG2010
ALLAN.P	
APVD	27AUG2010
STEPHEN.P	



NAME
SMD MOULDED POWER RESISTORS
TYPE SMW 2 SERIES

DIMENSIONS:		TOLERANCES UNLESS OTHERWISE SPECIFIED:	
mm			
	0 PLC	±0.2	
	1 PLC	±0.1	
	2 PLC	±	
	3 PLC	±	
	4 PLC	±	
	ANGLES	±5°	
MATERIAL		FINISH	
-		-	
-		-	

PRODUCT SPEC	-
APPLICATION SPEC	-
WEIGHT	-
CUSTOMER DRAWING	


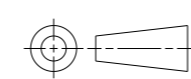
SIZE	CAGE CODE	DRAWING NO	RESTRICTED TO
A3	00779	C=1676966	-
SCALE	SHEET	OF	REV
10:1	1	2	BA1

REVISIONS

P	LTR	DESCRIPTION	DATE	DWN	APVD
	-	SEE SHEET 1	-	-	-

SCHEDULE			
TCPN	CATALOGUE NUMBER	PART DESCRIPTION	PART STATUS
1676966-1	SMW 2R10JT	SMW 2 R10 5%	PRODUCTION
1676966-3	SMW 2R12JT	SMW 2 R12 5%	PRODUCTION
1676966-5	SMW 2R15JT	SMW 2 R15 5%	PRODUCTION
1676966-7	SMW 2R18JT	SMW 2 R18 5%	PRODUCTION
1676966-8	SMW 2R18FT	SMW 2 R18 1%	PRODUCTION
1676966-9	SMW 2R22JT	SMW 2 R22 5%	PRODUCTION
1-1676966-1	SMW 2R27JT	SMW 2 R27 5%	PRODUCTION
1-1676966-3	SMW 2R33JT	SMW 2 R33 5%	PRODUCTION
1-1676966-5	SMW 2R39JT	SMW 2 R39 5%	PRODUCTION
1-1676966-7	SMW 2R47JT	SMW 2 R47 5%	PRODUCTION
1-1676966-9	SMW 2R56JT	SMW 2 R56 5%	PRODUCTION
2-1676966-1	SMW 2R68JT	SMW 2 R68 5%	PRODUCTION
2-1676966-3	SMW 2R82JT	SMW 2 R82 5%	PRODUCTION
2-1676966-5	SMW 21R0JT	SMW 2 1R0 5%	PRODUCTION
2-1676966-7	SMW 21R2JT	SMW 2 1R2 5%	PRODUCTION
2-1676966-9	SMW 21R5JT	SMW 2 1R5 5%	PRODUCTION
3-1676966-1	SMW 21R8JT	SMW 2 1R8 5%	PRODUCTION
3-1676966-3	SMW 22R2JT	SMW 2 2R2 5%	PRODUCTION
3-1676966-5	SMW 22R7JT	SMW 2 2R7 5%	PRODUCTION
3-1676966-7	SMW 23R3JT	SMW 2 3R3 5%	PRODUCTION
3-1676966-9	SMW 23R9JT	SMW 2 3R9 5%	PRODUCTION
4-1676966-1	SMW 24R7JT	SMW 2 4R7 5%	PRODUCTION
4-1676966-3	SMW 25R6JT	SMW 2 5R6 5%	PRODUCTION
4-1676966-5	SMW 26R8JT	SMW 2 6R8 5%	PRODUCTION
4-1676966-7	SMW 28R2JT	SMW 2 8R2 5%	PRODUCTION

SCHEDULE			
TCPN	CATALOGUE NUMBER	PART DESCRIPTION	PART STATUS
4-1676966-9	SMW 210RJT	SMW 2 10R 5%	PRODUCTION
5-1676966-1	SMW 212RJT	SMW 2 12R 5%	PRODUCTION
5-1676966-2	SMW 212RFT	SMW 2 12R 1%	DISCONTINUED
5-1676966-3	SMW 215RJT	SMW 2 15R 5%	PRODUCTION
5-1676966-5	SMW 218RJT	SMW 2 18R 5%	PRODUCTION
5-1676966-7	SMW 222RJT	SMW 2 22R 5%	PRODUCTION
5-1676966-9	SMW 227RJT	SMW 2 27R 5%	PRODUCTION
6-1676966-1	SMW 233RJT	SMW 2 33R 5%	PRODUCTION
6-1676966-2	SMW 230RJT	SMW 2 30R 5%	PRODUCTION
6-1676966-3	SMW 239RJT	SMW 2 39R 5%	PRODUCTION
6-1676966-5	SMW 247RJT	SMW 2 47R 5%	PRODUCTION
6-1676966-6	SMW 247RFT	SMW 2 47R 1%	DISCONTINUED
6-1676966-7	SMW 256RJT	SMW 2 56R 5%	PRODUCTION
6-1676966-9	SMW 268RJT	SMW 2 68R 5%	PRODUCTION
7-1676966-1	SMW 282RJT	SMW 2 82R 5%	PRODUCTION
7-1676966-3	SMW 2100RJT	SMW 2 100R 5%	PRODUCTION
7-1676966-4	SMW 2100RFT	SMW 2 100R 1%	DISCONTINUED
7-1676966-5	SMW 2120RJT	SMW 2 120R 5%	PRODUCTION
7-1676966-7	SMW 2150RJT	SMW 2 150R 5%	PRODUCTION
7-1676966-9	SMW 2180RJT	SMW 2 180R 5%	PRODUCTION
8-1676966-0	SMW 22R7FT	SMW 2 2R7 1%	PRODUCTION
8-1676966-1	SMW 2R56FT	SMW 2 R56 1%	DISCONTINUED
8-1676966-2	SMW 282RFT	SMW 2 82R 1%	DISCONTINUED
8-1676966-3	SMW 2180RFT	SMW 2 180R 1%	PRODUCTION
8-1676966-4	SMW 2R51JT	SMW 2 R51 5%	PRODUCTION
8-1676966-5	SMW 22R2FT	SMW 2 2R2 1%	PRODUCTION

THIS DRAWING IS A CONTROLLED DOCUMENT.		DWN PARUSURAM.T 27AUG2010	 TE Connectivity NAME SMD MOULDED POWER RESISTORS TYPE SMW 2 SERIES	
DIMENSIONS: mm		CHK ALLAN.P 27AUG2010		
		APVD STEPHEN.P 27AUG2010		
TOLERANCES UNLESS OTHERWISE SPECIFIED:		PRODUCT SPEC	SIZE	
0 PLC ±0.2		-	CAGE CODE	
1 PLC ±0.1		APPLICATION SPEC	DRAWING NO	
2 PLC ±		-	RESTRICTED TO	
3 PLC ±		WEIGHT	A3 00779 ©=1676966	
4 PLC ±		-	SCALE 10:1 SHEET 2 OF 2 REV BA1	
ANGLES ±5°		CUSTOMER DRAWING		
FINISH		-		
MATERIAL		-		
-		-		
-		-		