

4

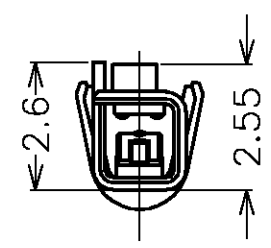
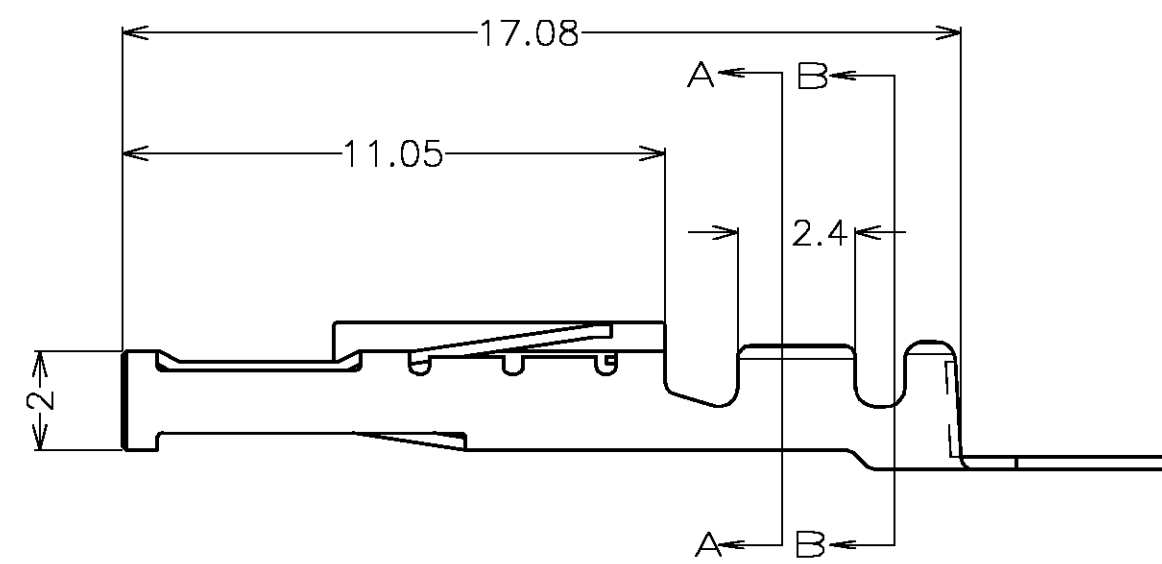
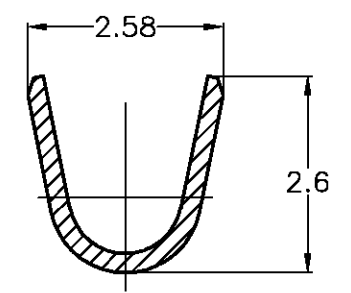
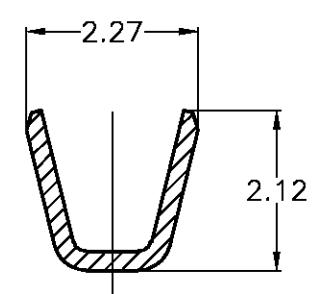
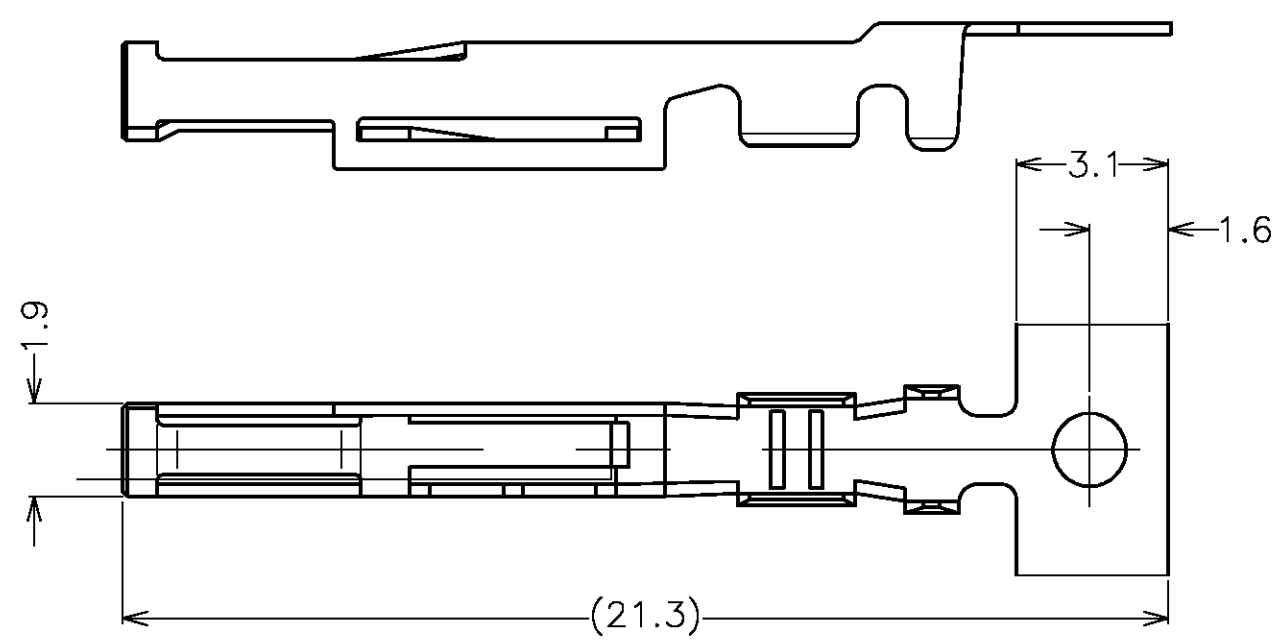
3

2

1

THIS DRAWING IS UNPUBLISHED. RELEASED FOR PUBLICATION
 © COPYRIGHT BY TYCO ELECTRONICS CORPORATION. ALL RIGHTS RESERVED.

LOC	DIST	REVISIONS						
		P	LTR	DESCRIPTION	DATE	DWN	APVD	
J	—		0	RELEASED	FJBO-0155-03	16MAY03	K.I	H.M



注記
 ① 材料 : 銅合金
 ② 仕上げ : ニッケル下地メッキ
 接触部 金メッキ 0.38μm

NOTES;
 ▲ MATERIAL : COPPER ALLOY
 ▲ FINISH : ALL OVER NICKEL PLT.
 CONTACT AREA Au 0.38μm PLT

1674536-1	
P/N	
WIRE RANGE 接合電線断面積 AWG #22~#18	INSULATION DIA. 被覆外径 1.3~1.9

THIS DRAWING IS A CONTROLLED DOCUMENT.		DWN K.IINO 15MAY03	Tyco Electronics AMP K.K. Kawasaki, Japan
DIMENSIONS: 単位: 概 MM		CHK T.KUSUHARA 16MAY03	
		APVD H.MURAMATSU 16MAY03	
TOLERANCES UNLESS OTHERWISE SPECIFIED: 一般公差		PRODUCT SPEC 製品規格 108-5869	NAME 名称 2.5mm REC. CONTACT for POWER AND GND 2.0mm, 2.5mm Wire-to-Board CONNECTOR
MATERIAL 注記参照 材料 SEE NOTE		APPLICATION SPEC 取付適用規格 114-5328	SIZE CAGE CODE DRAWING NO A3 00779 C-1674536
FINISH 注記参照 仕上 SEE NOTE		WEIGHT	RESTRICTED TO
CUSTOMER DRAWING		SCALE 5:1 SHEET 1 OF 1 REV 0	